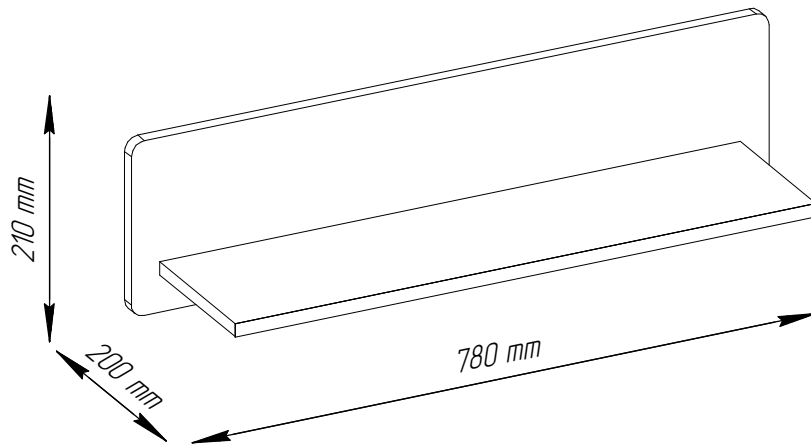
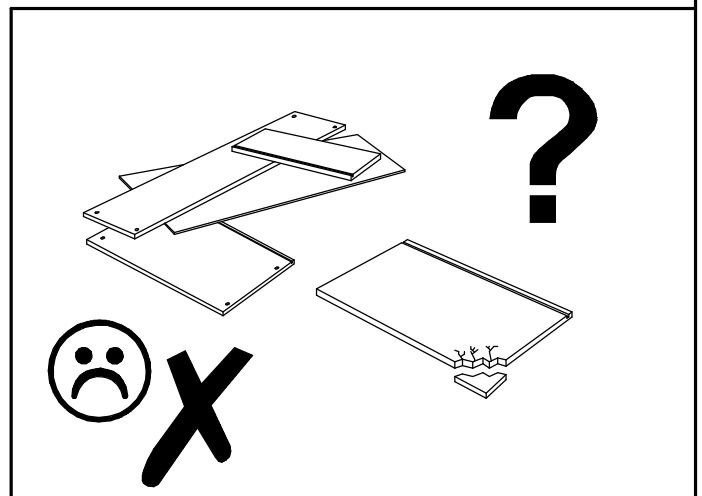
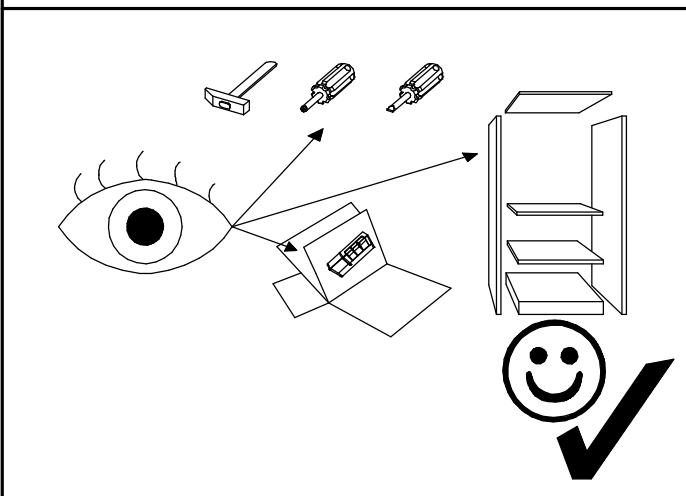
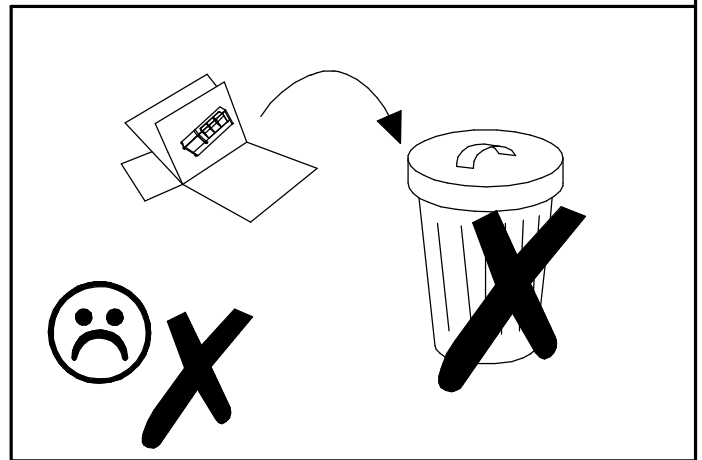
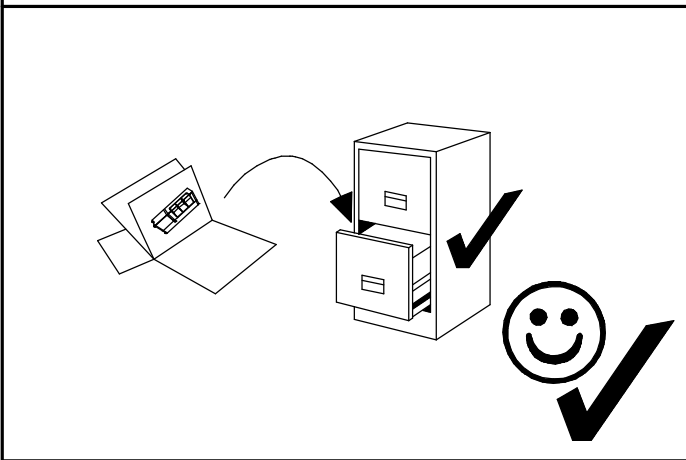
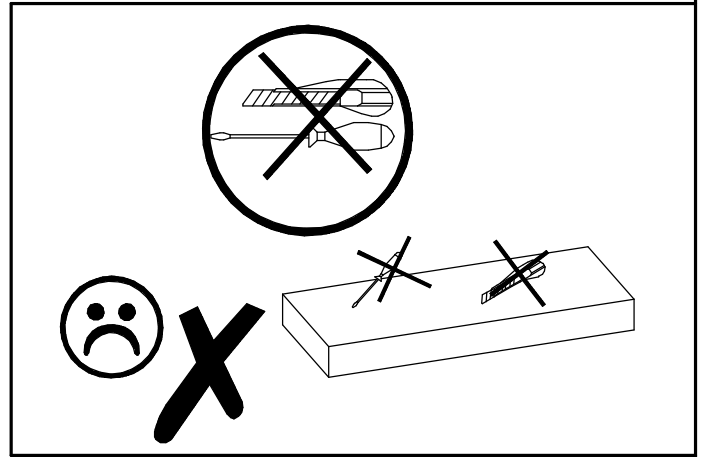
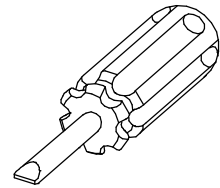
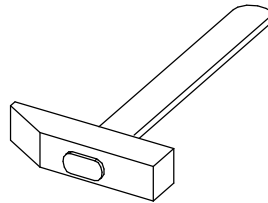
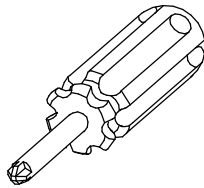
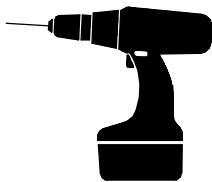
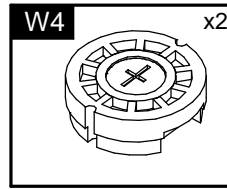
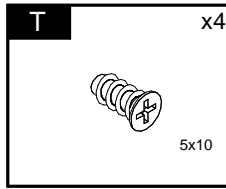
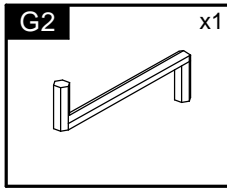
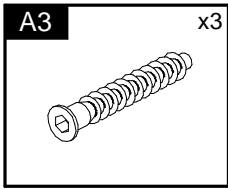


# VALLES

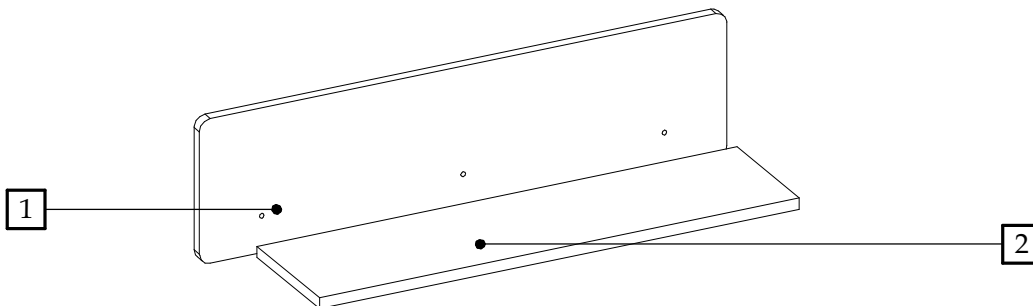
Typ U



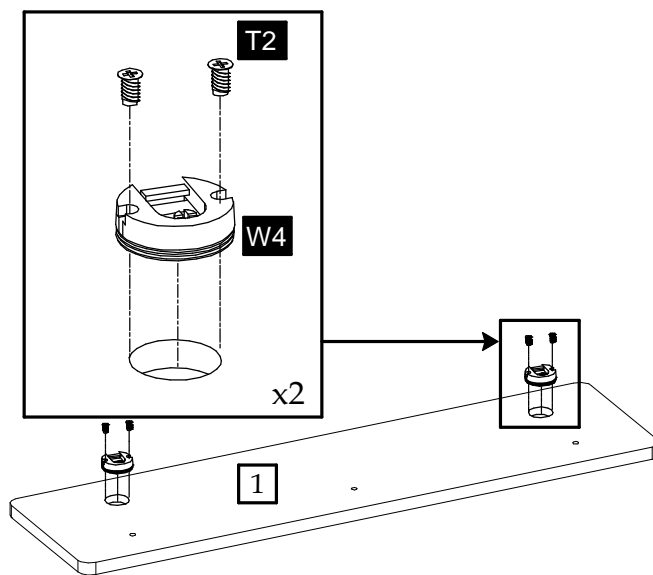




Element symbol	Measurements				Code	Paket
<b>1</b>	780	210	16	1	3002	1/1
<b>2</b>	710	184	16	1	1001	1/1



1



2

