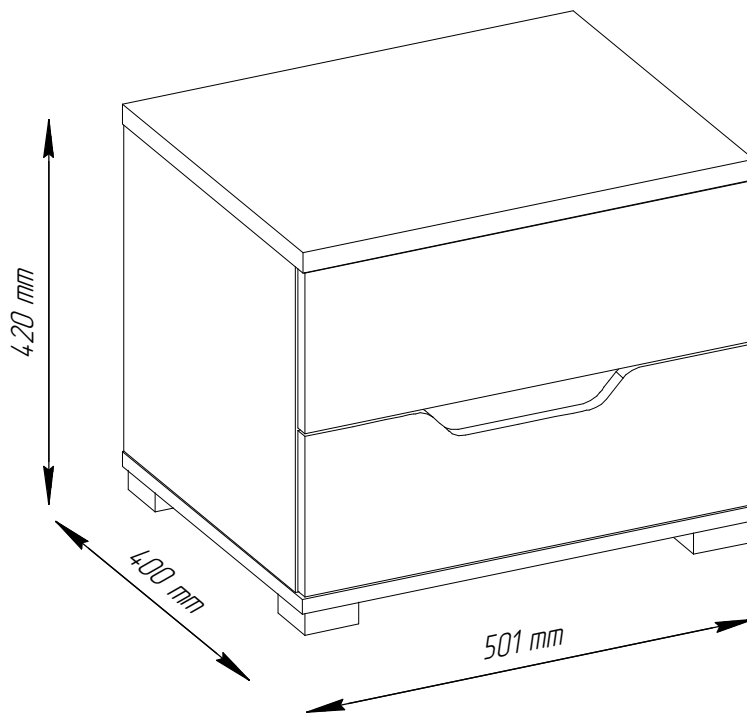
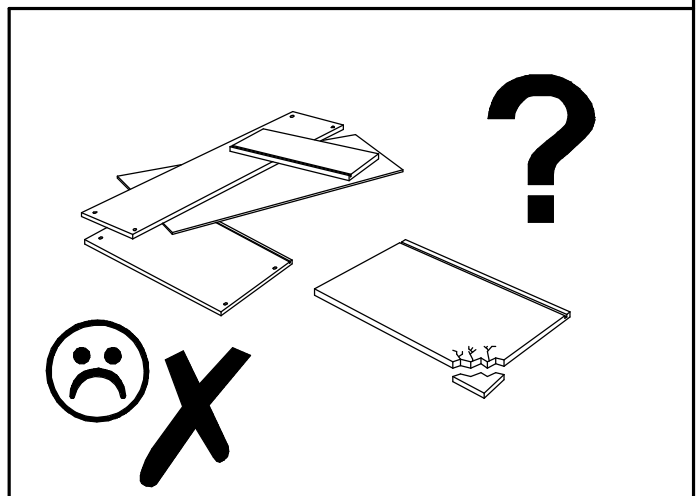
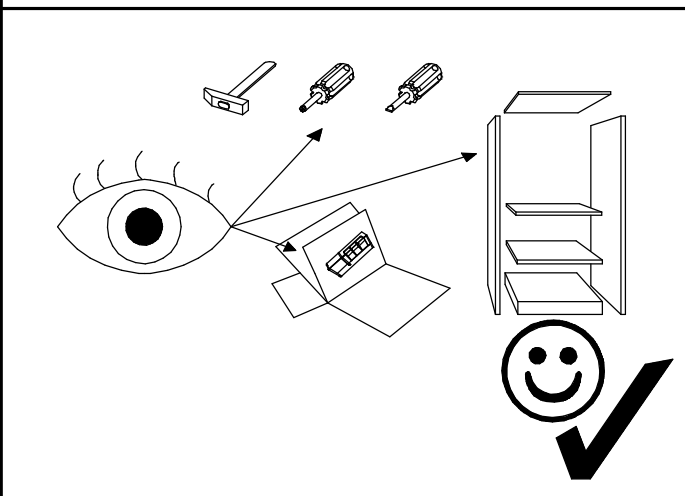
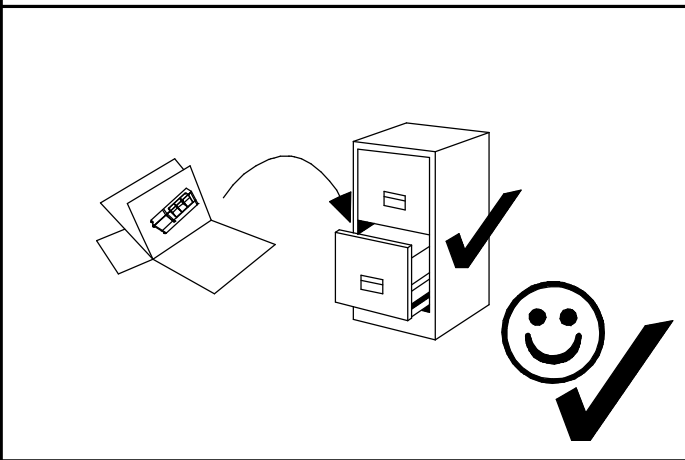
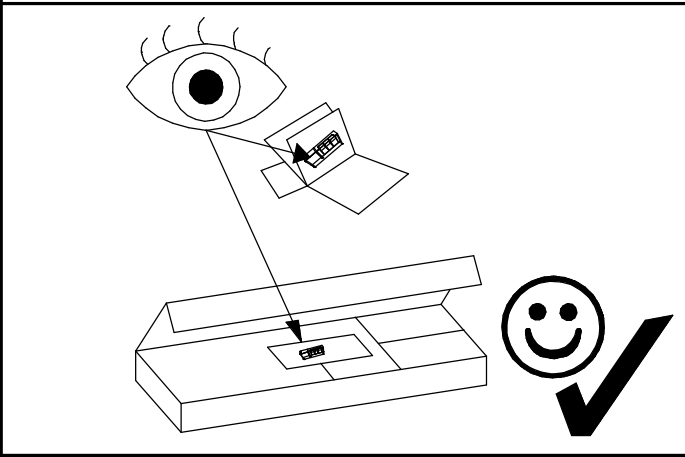
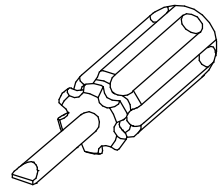
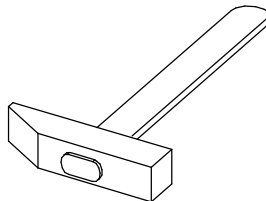
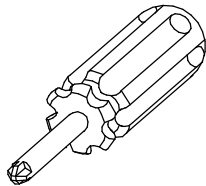
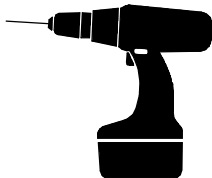
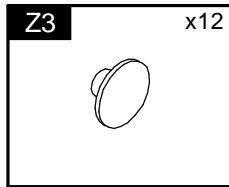
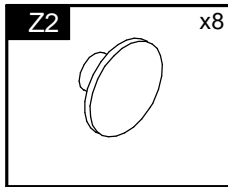
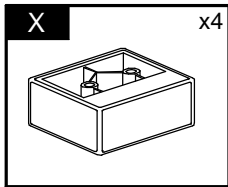
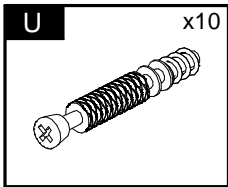
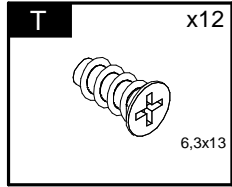
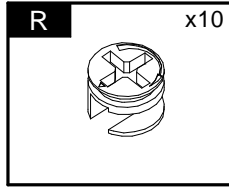
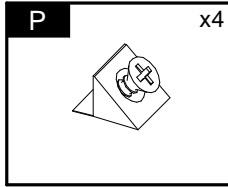
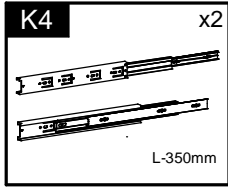
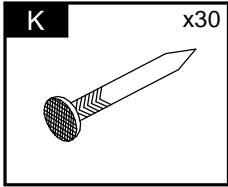
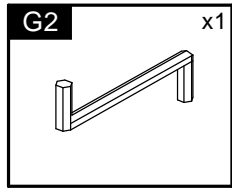
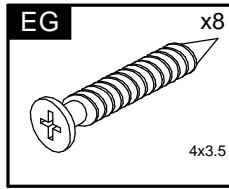
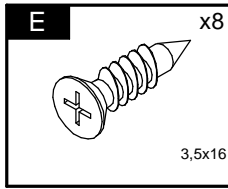
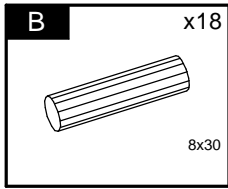
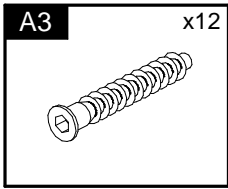


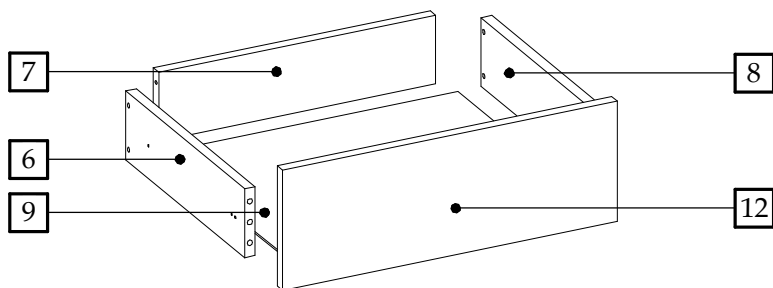
VALLES

Typ X

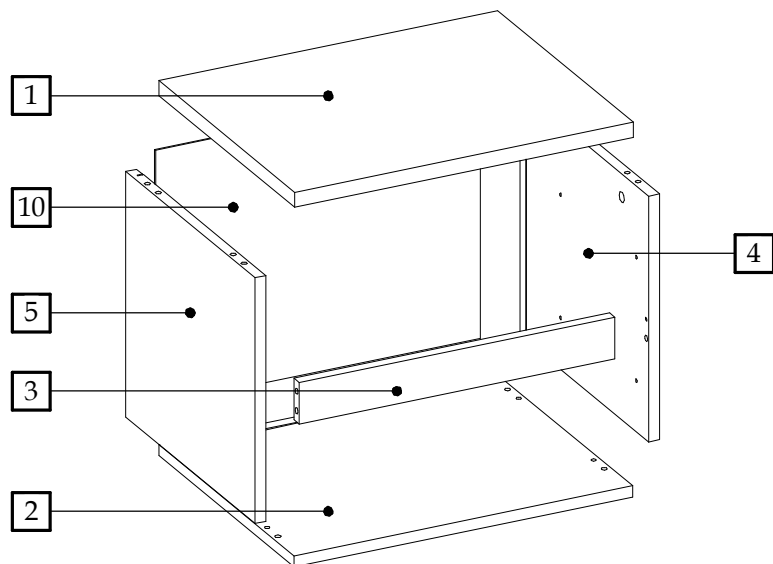
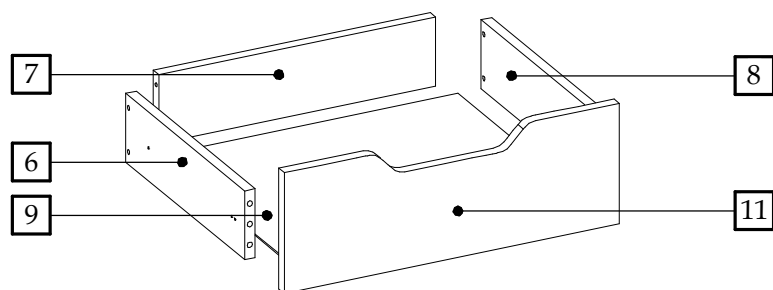






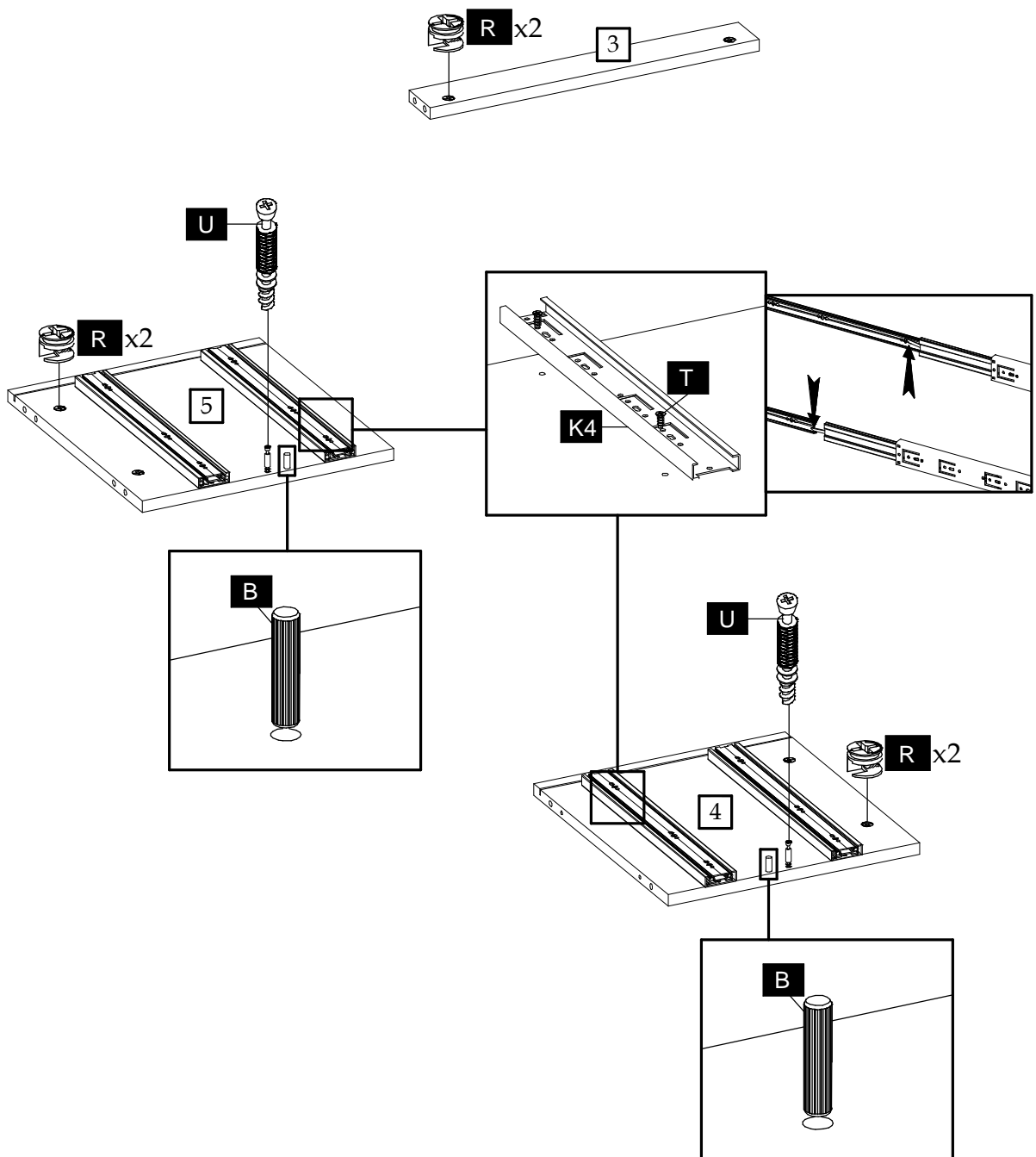


Element symbol	Measurements				Code	Paket
1	501	400	22	1	1004	1/1
2	501	398.5	16	1	1001	1/1
3	467	60	16	1	1032	1/1
4	357	381	16	1	1002	1/1
5	357	381	16	1	1003	1/1
6	350	100	16	2	1024	1/1
7	409.6	100	16	2	1022	1/1
8	350	100	16	2	1025	1/1
9	441	355	2.5	2	N/A	1/1
10	371	481	2.5	1	N/A	1/1
11	495	175	16	1	3023	1/1
12	495	175	16	1	3027	1/1

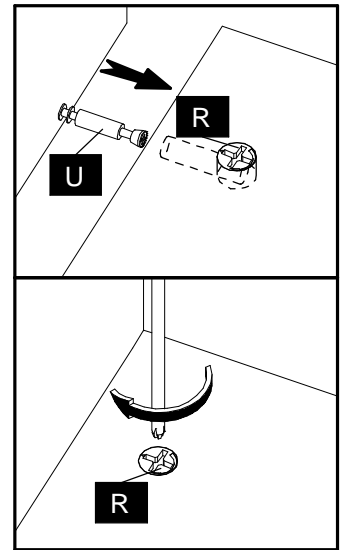
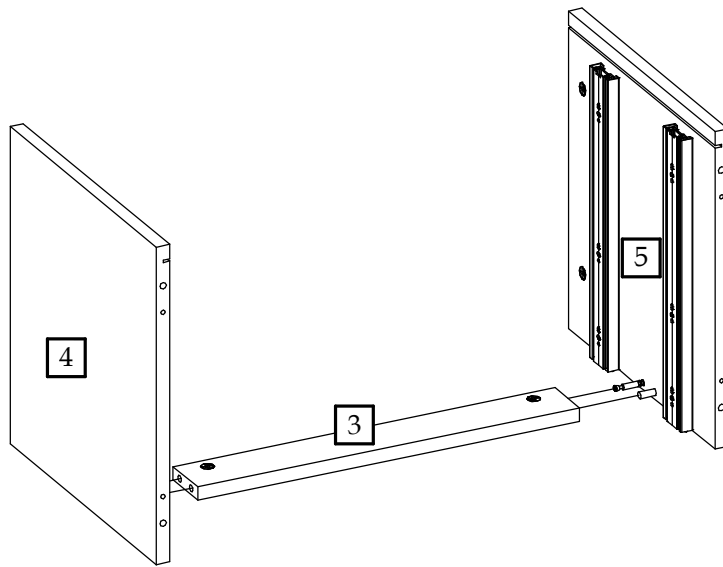




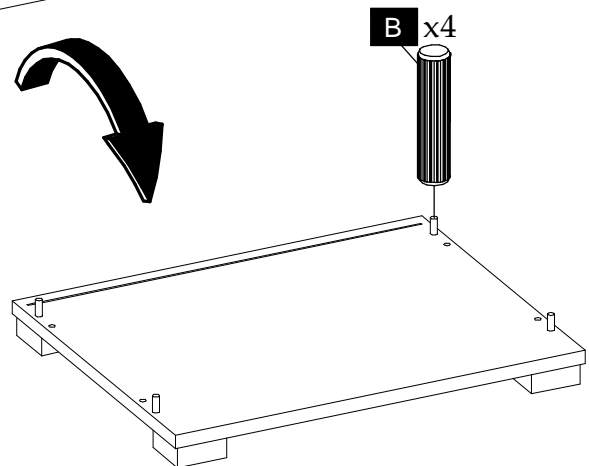
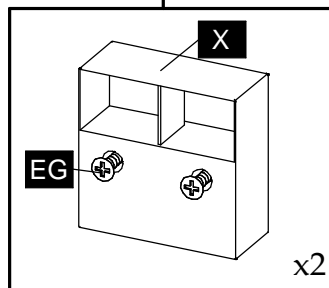
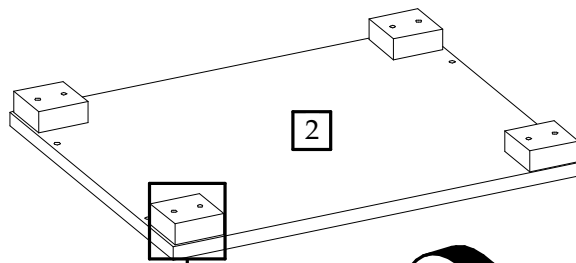
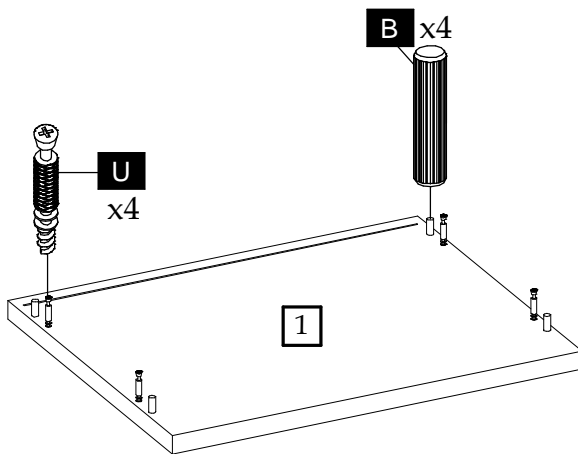
1



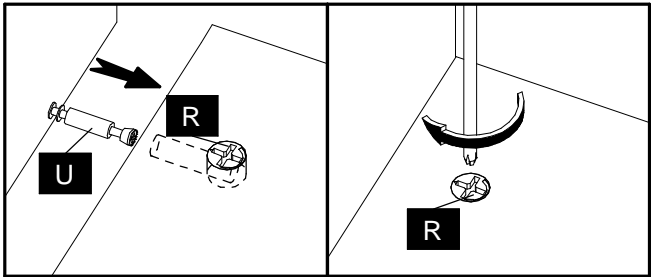
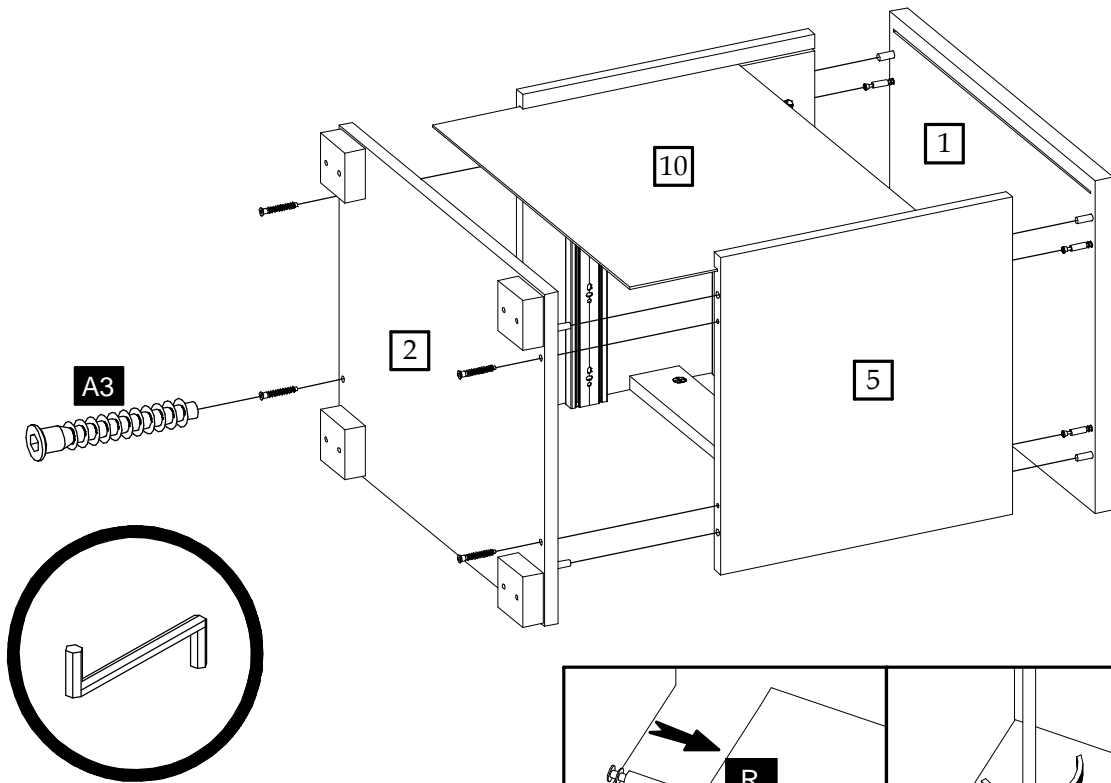
2



3



4



5

