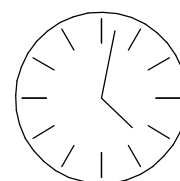
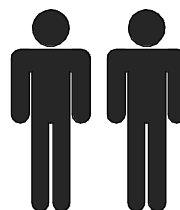
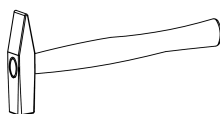
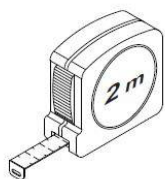
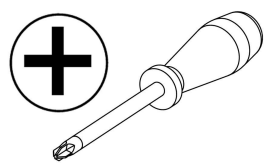
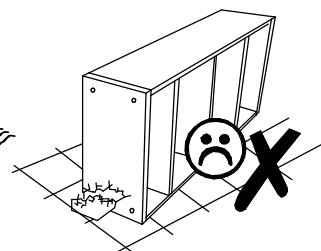
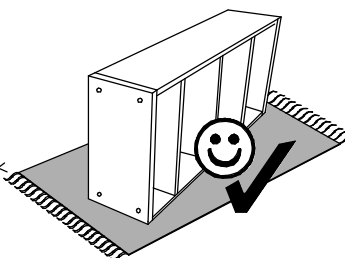
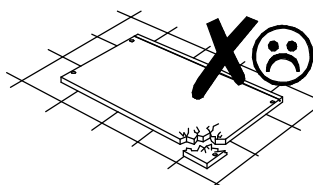
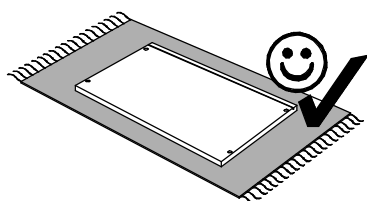
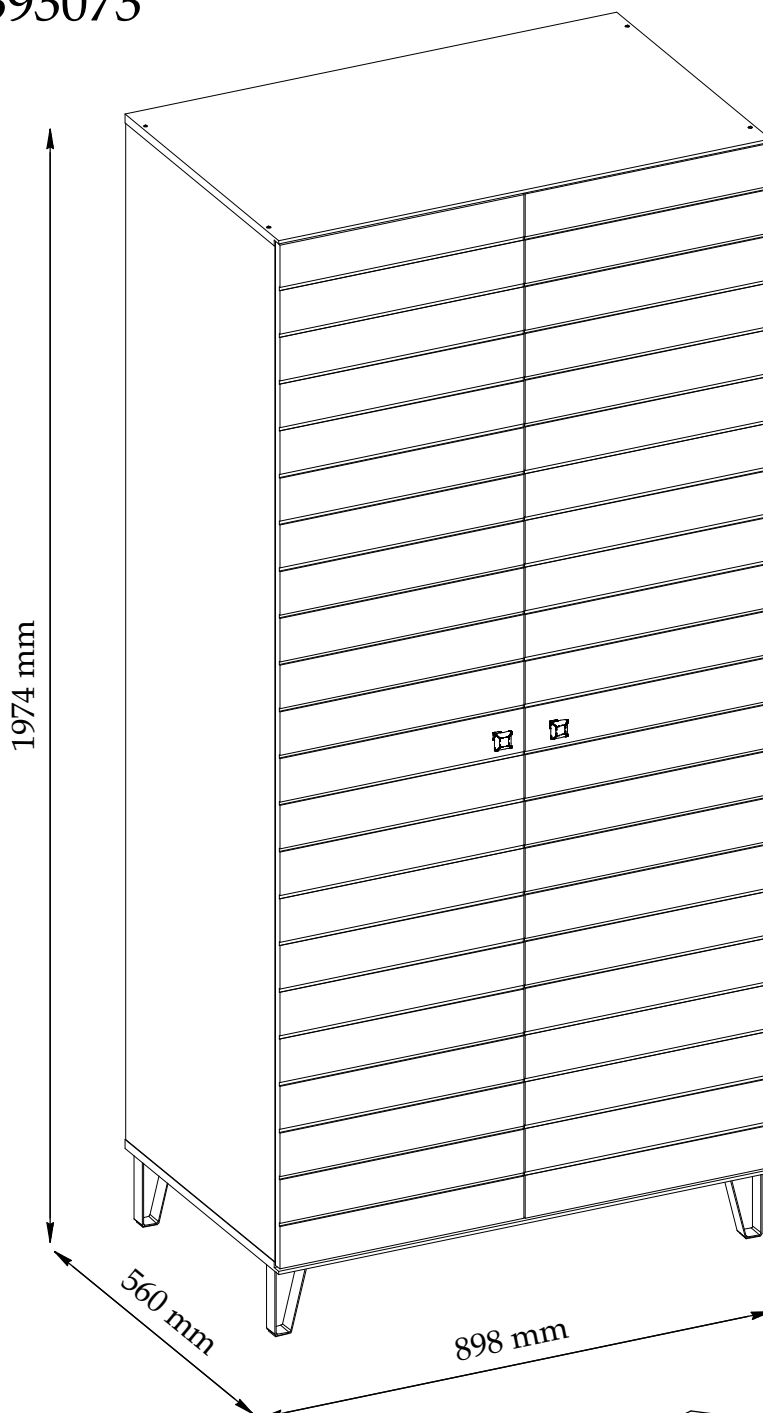


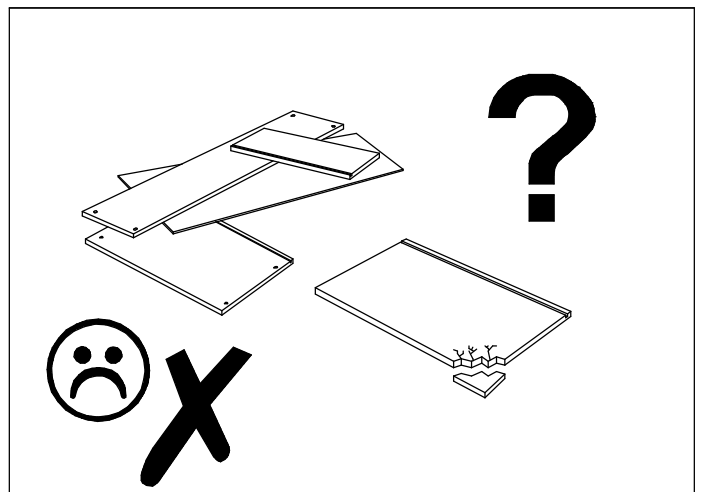
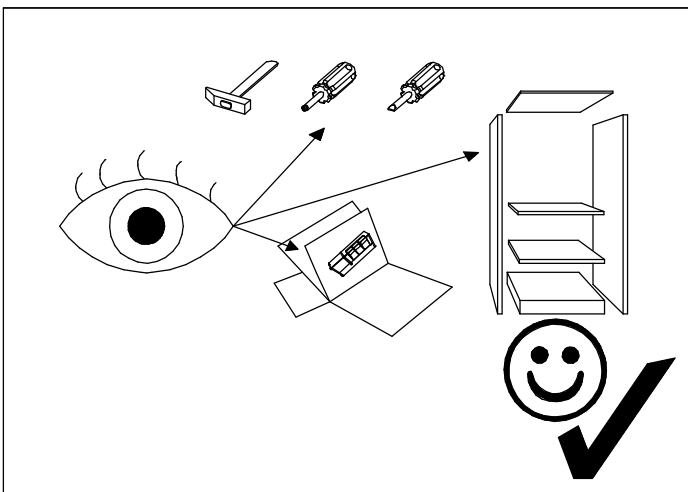
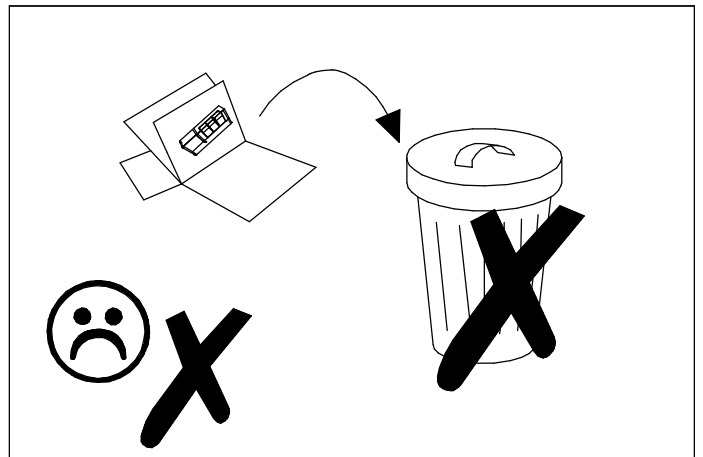
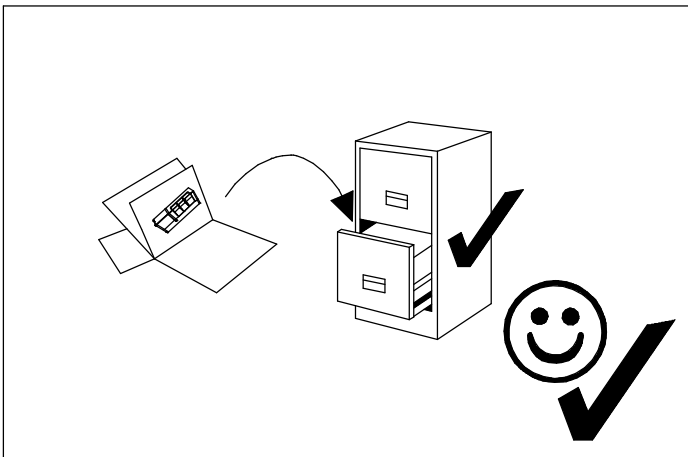
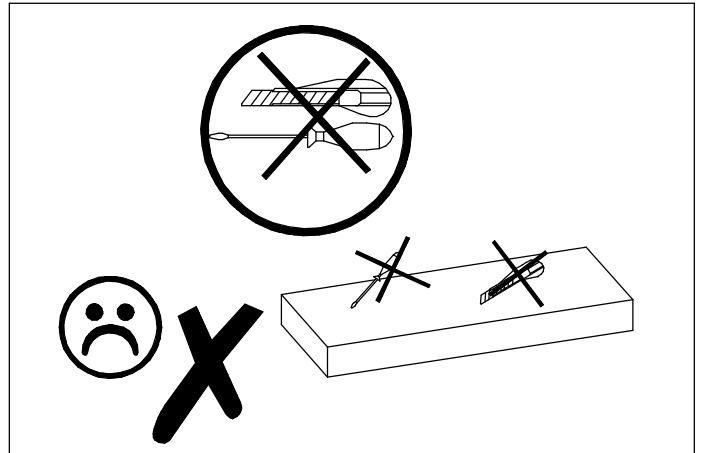
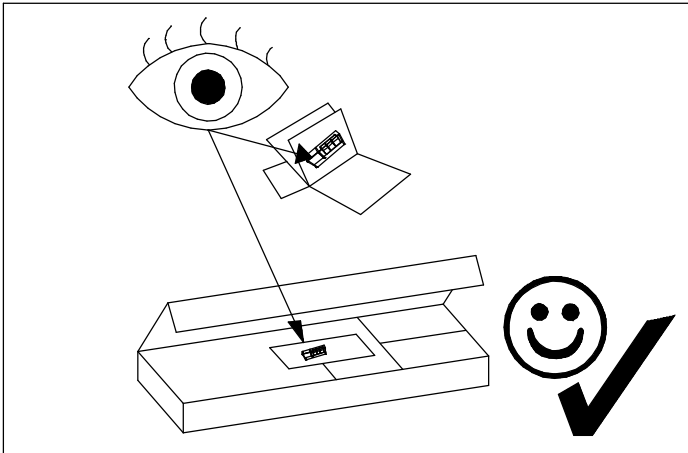
WEIL F

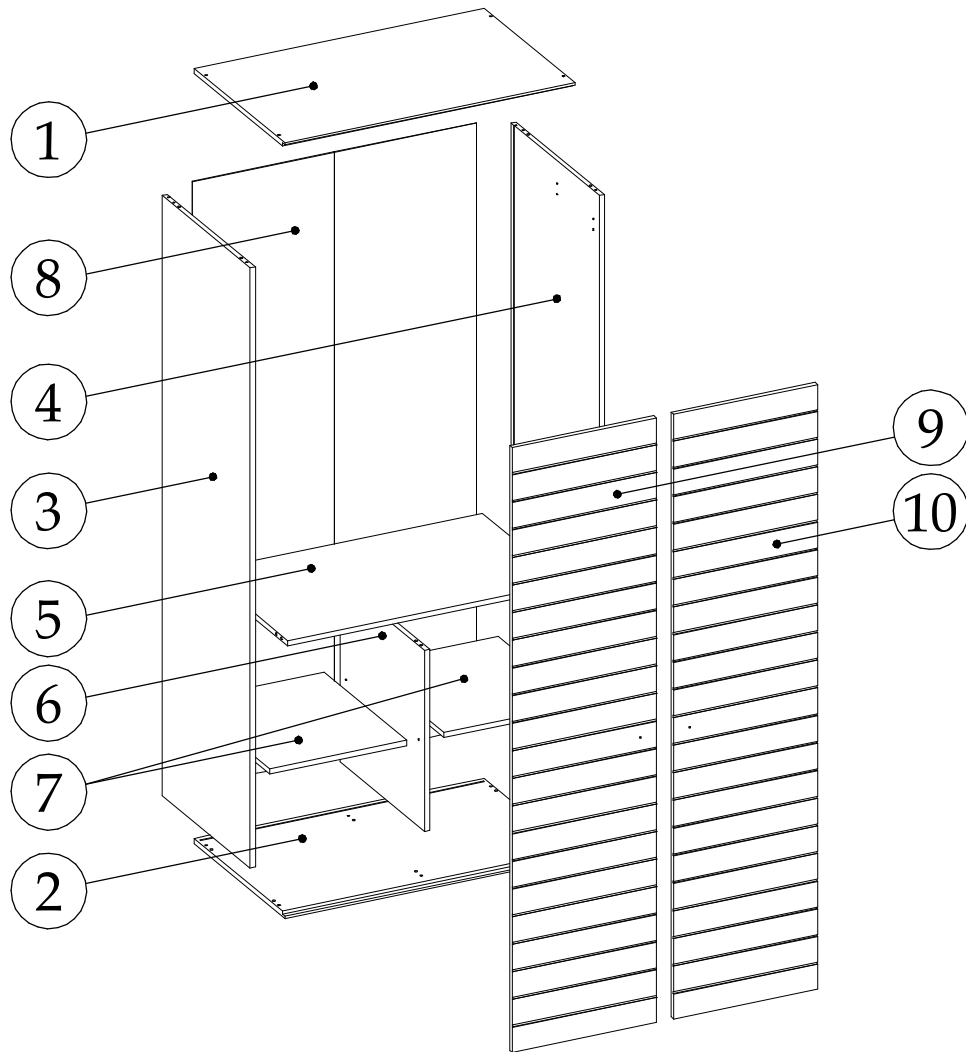
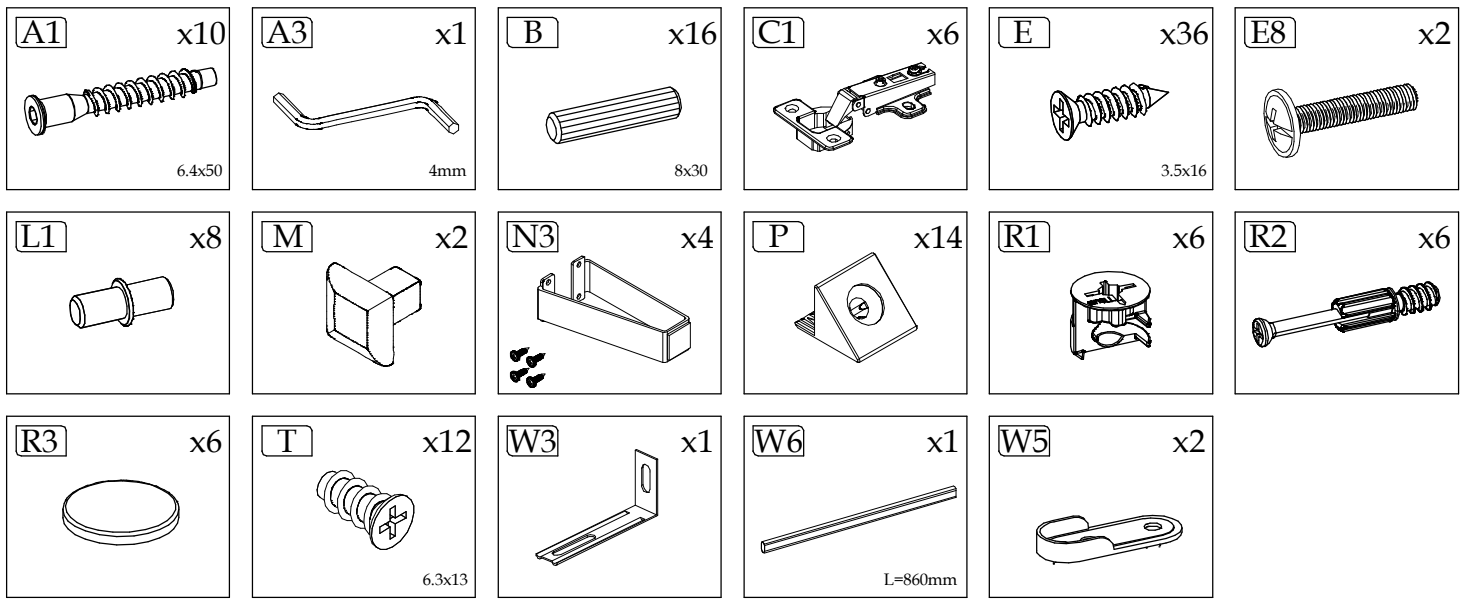


90 min

INDEKS 3393073

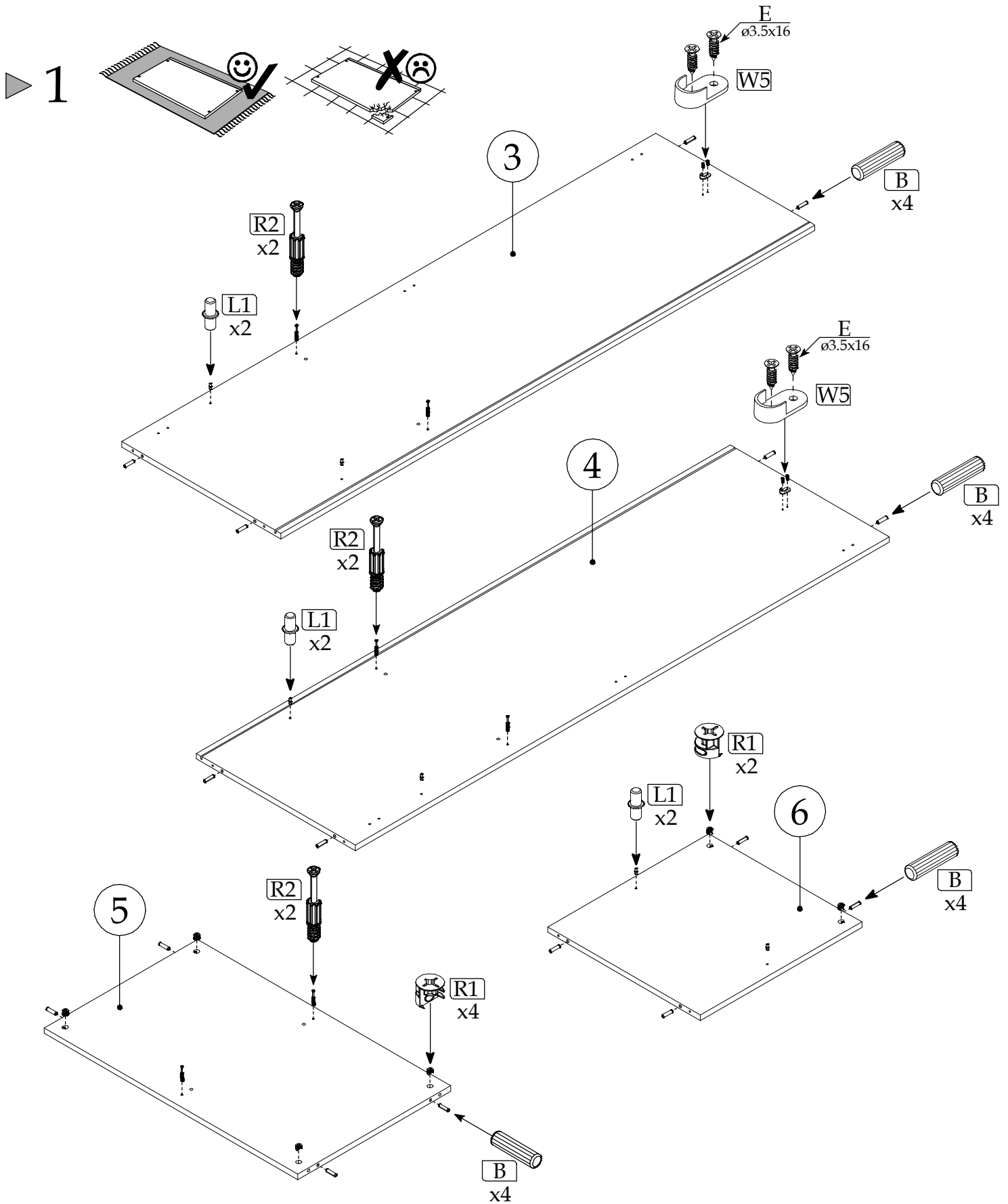
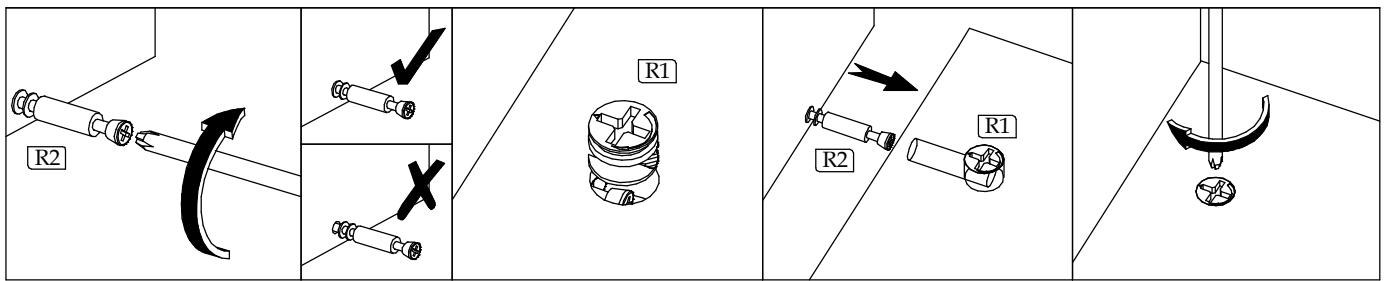


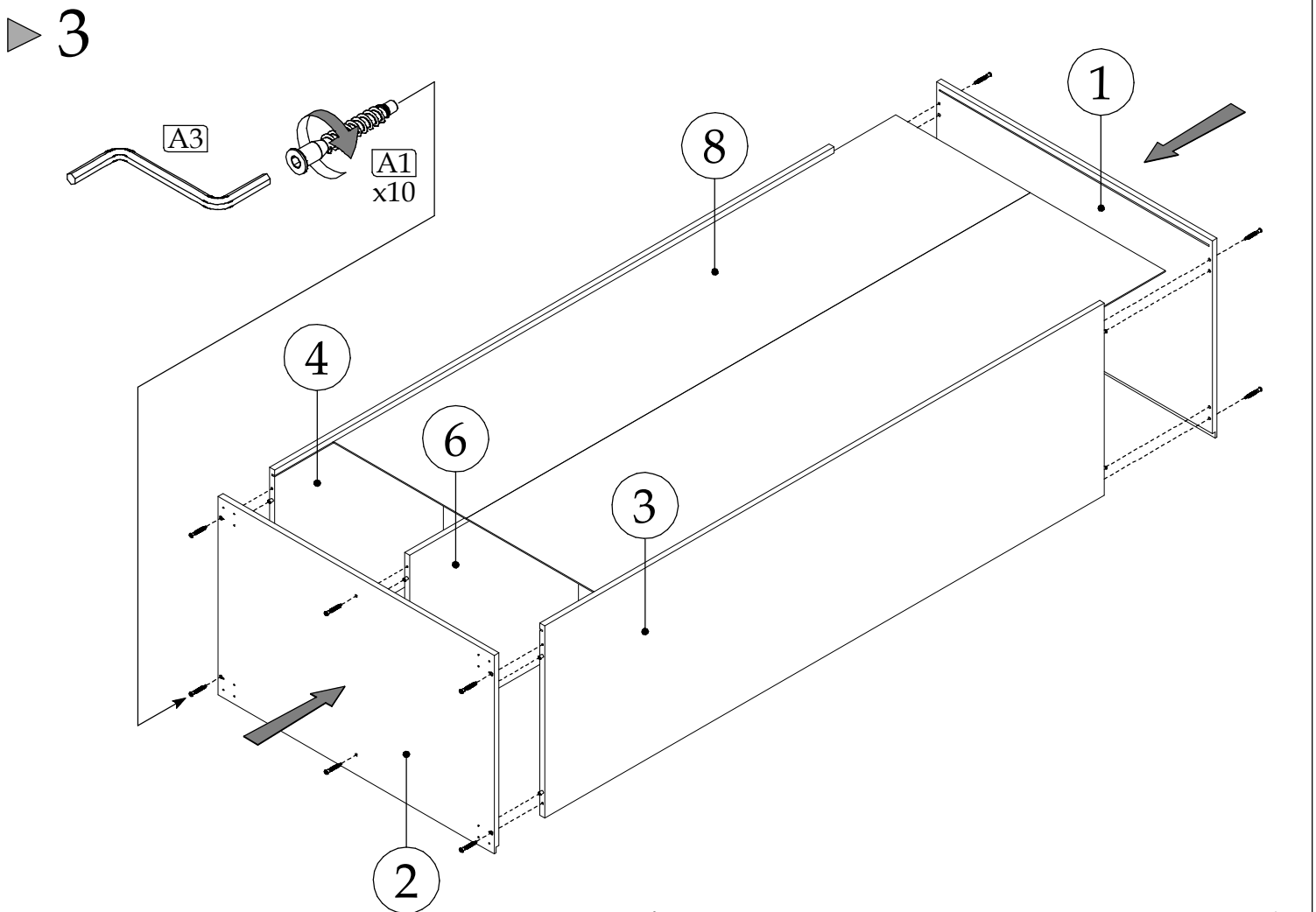
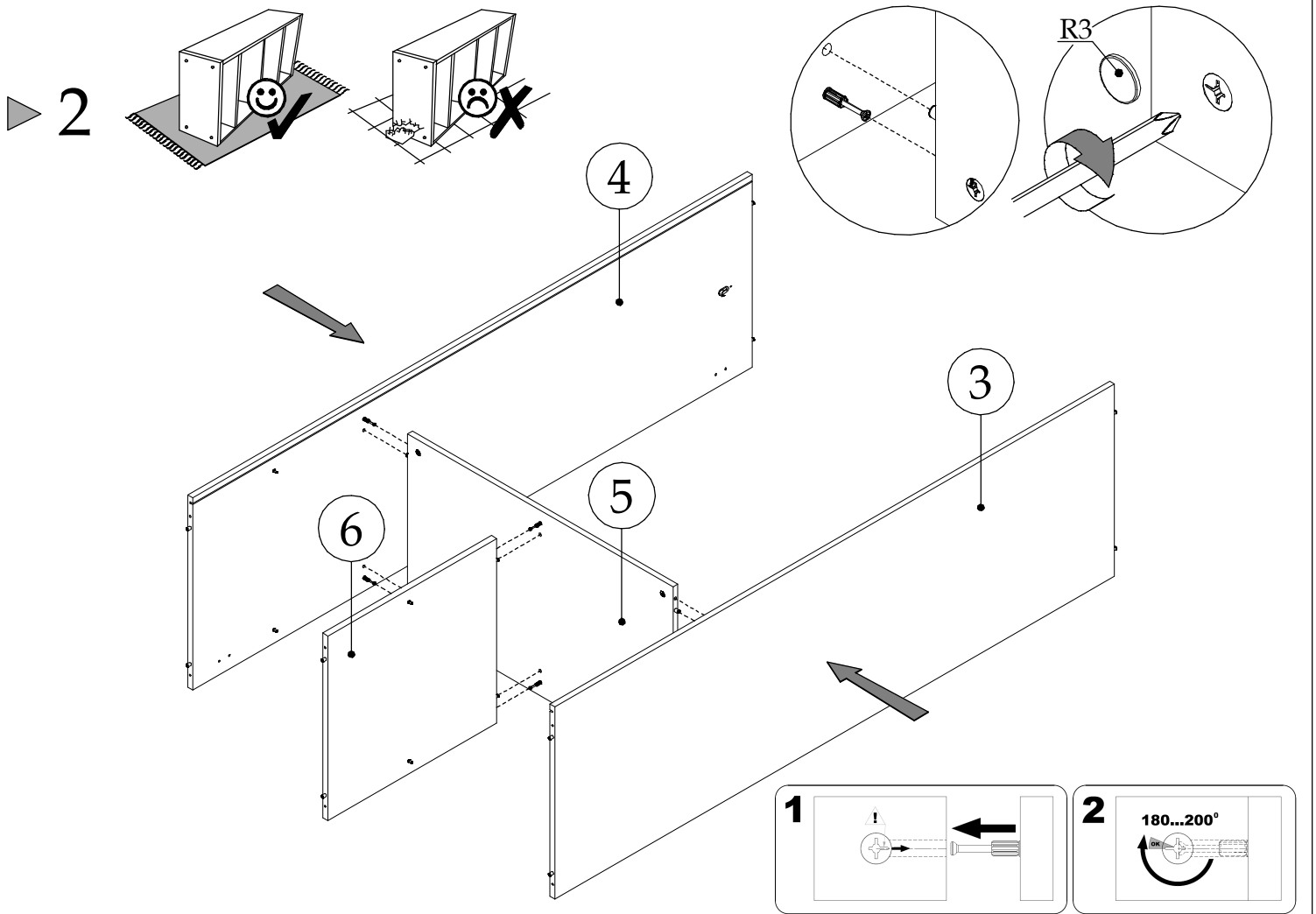


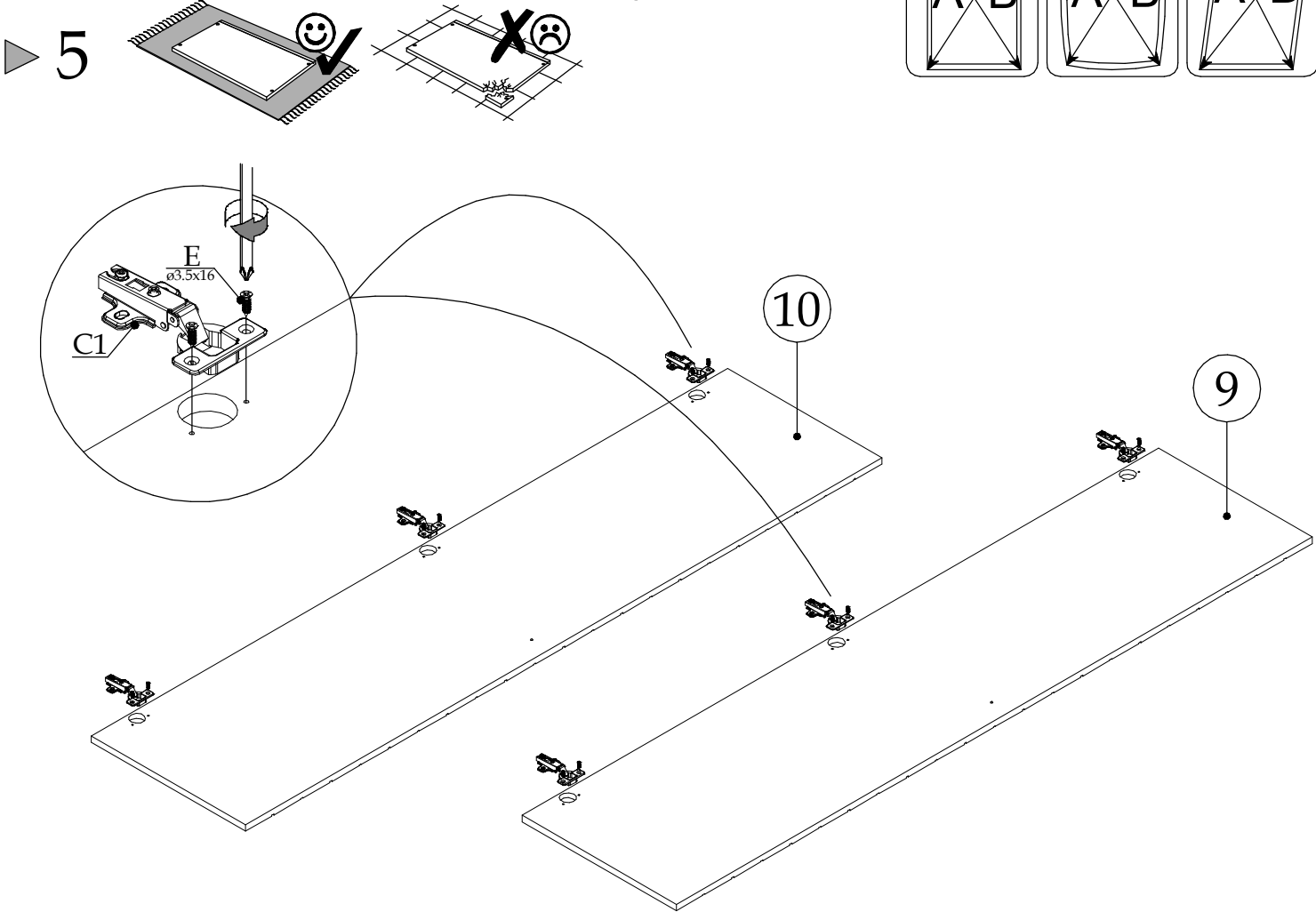
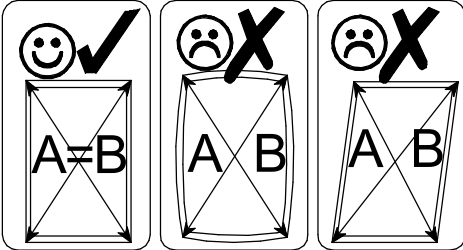
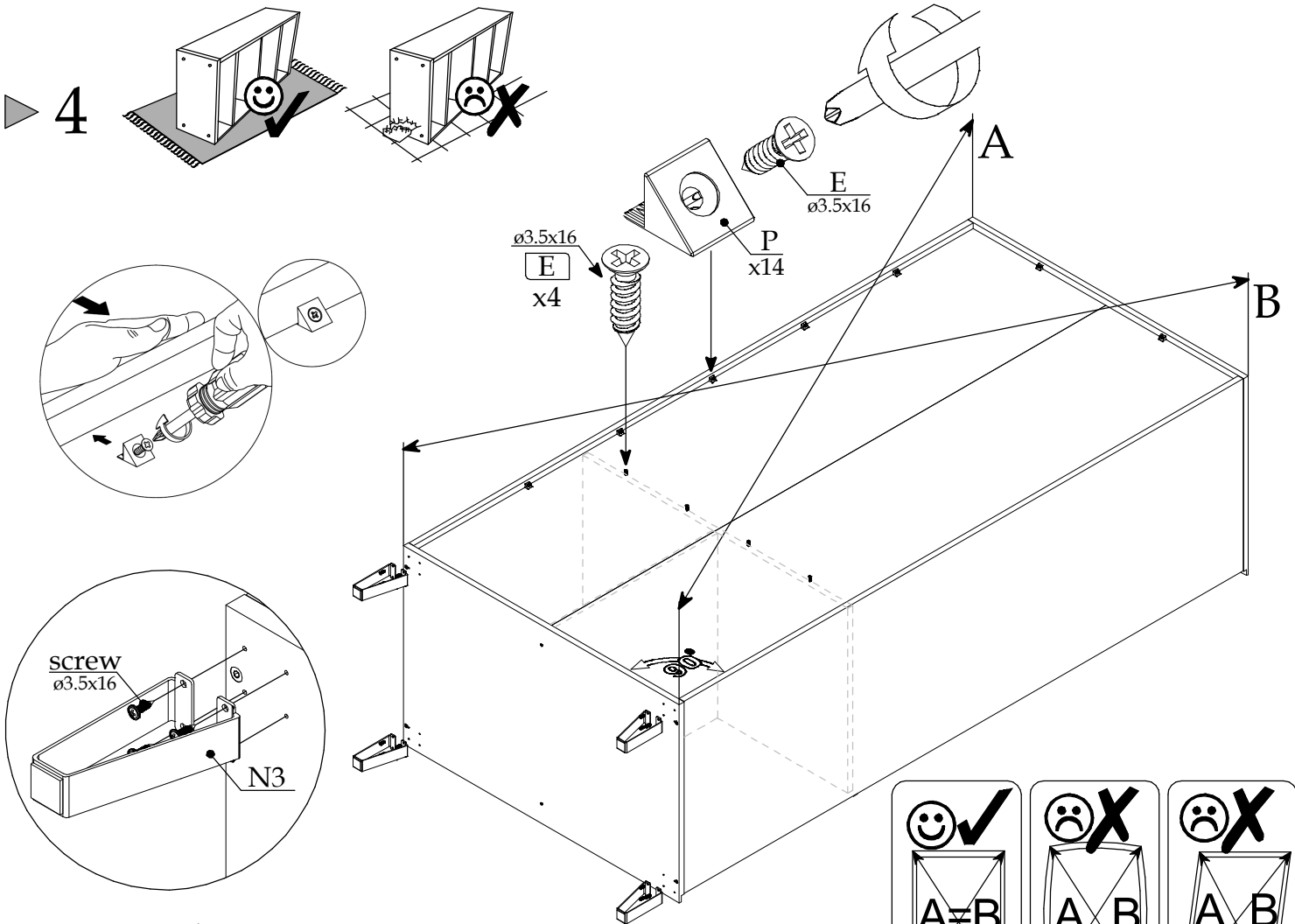


Element symbol	Measurements				Code	Paket
1	898	560	16	1	1002	1/2
2	898	560	16	1	1001	1/2
3	1822	542.5	16	1	1003	2/2
4	1822	542.5	16	1	1004	2/2
5	864	522	16	1	1030	1/2

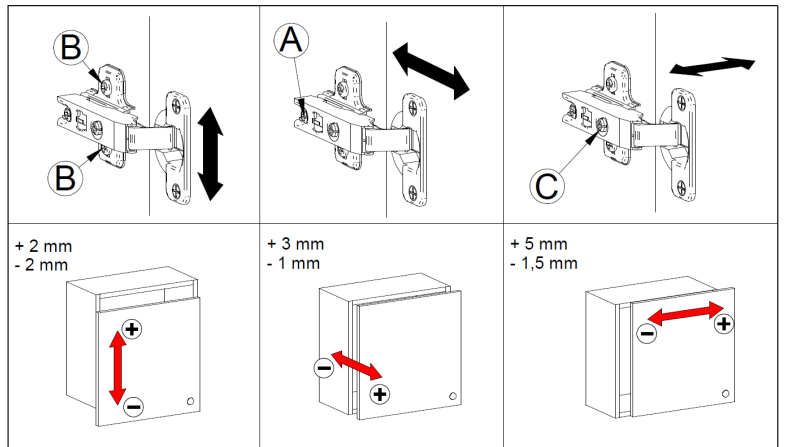
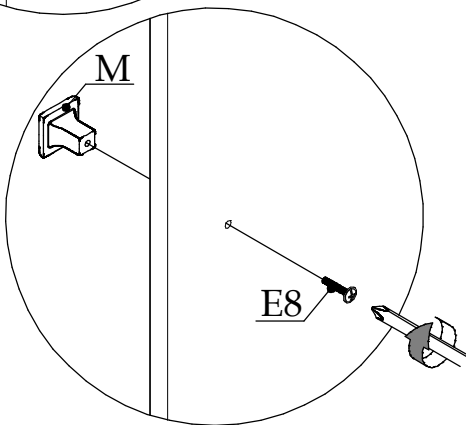
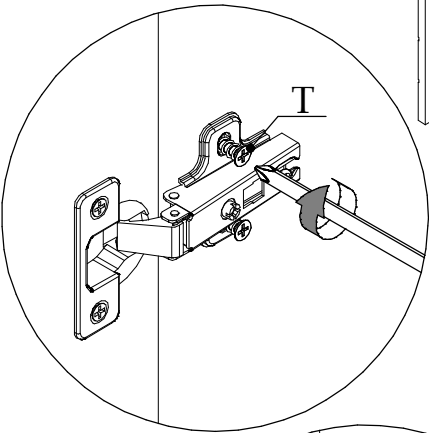
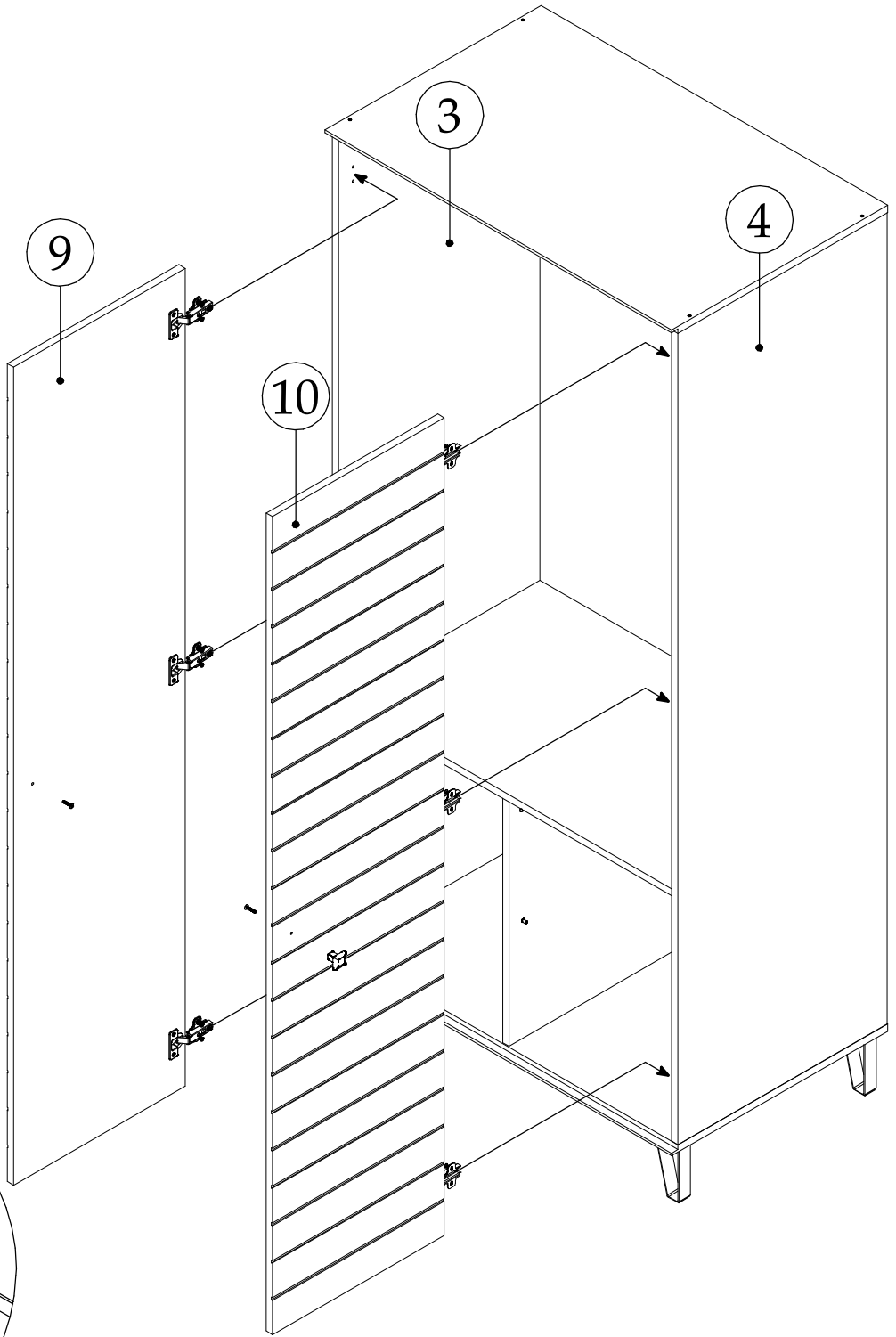
6	550	520.5	16	1	1035	1/2
7	424	510	16	2		1/2
8	1836	441	3	2		2/2
9	1936	445	16	1	3016	2/2
10	1936	445	16	1	3017	2/2



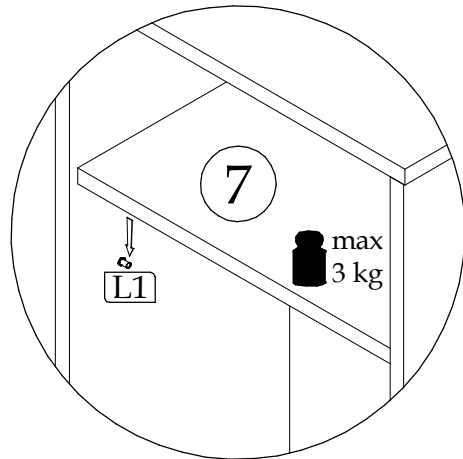
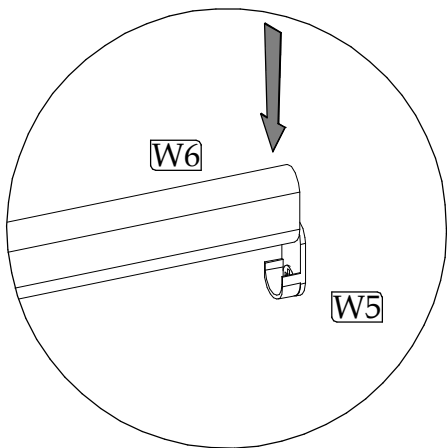
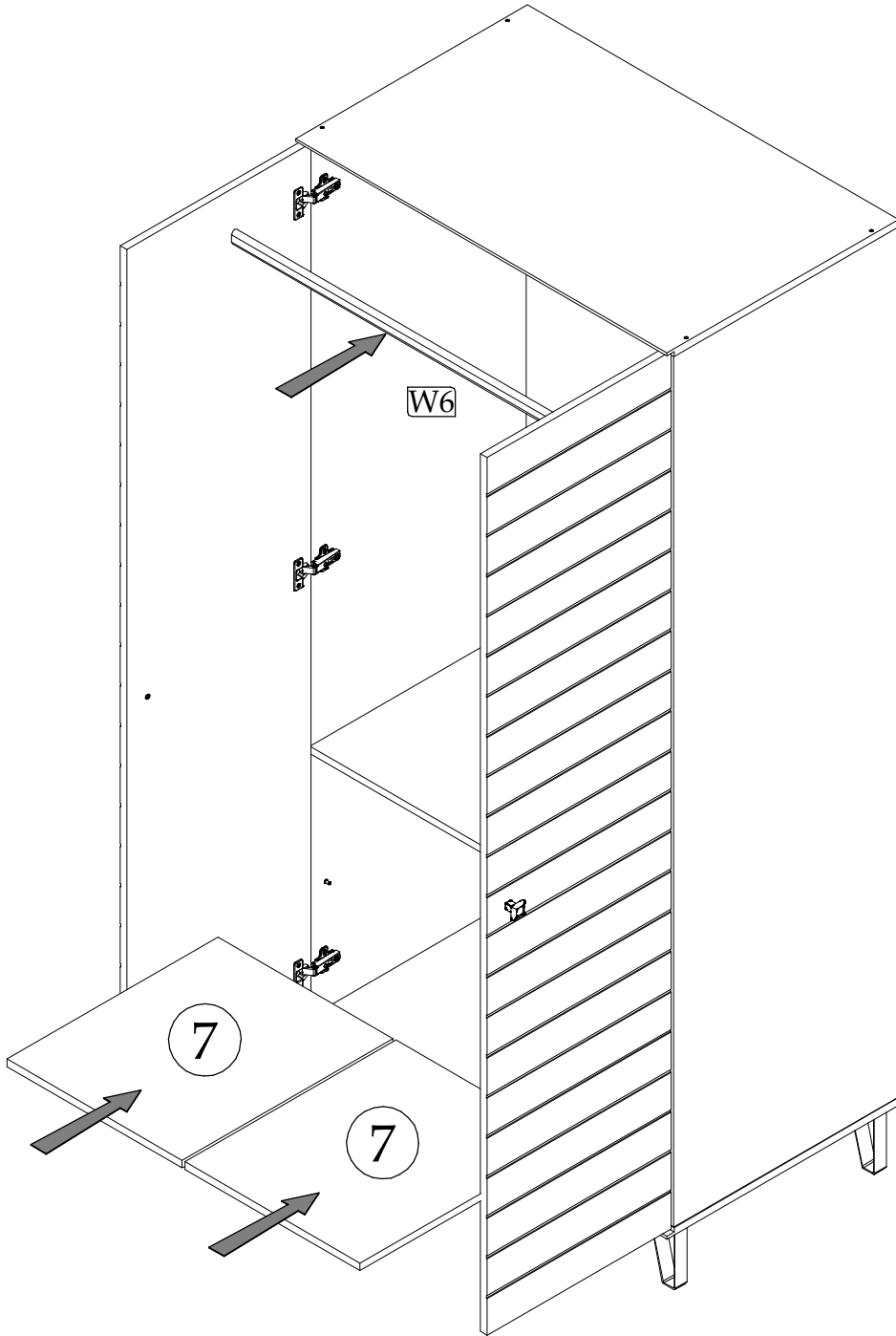




▶ 6



▶ 7



8

