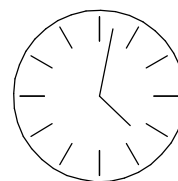
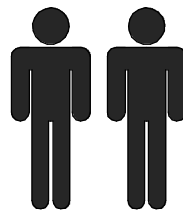
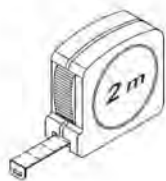
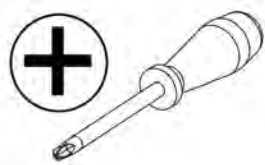
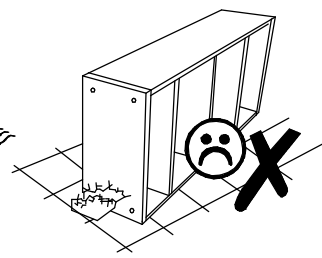
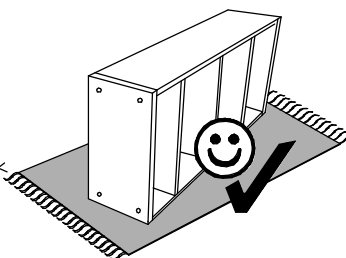
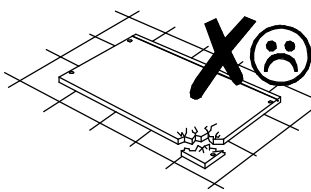
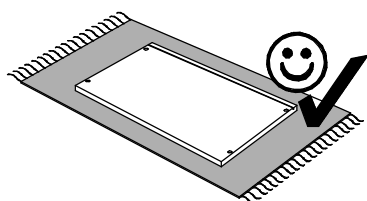
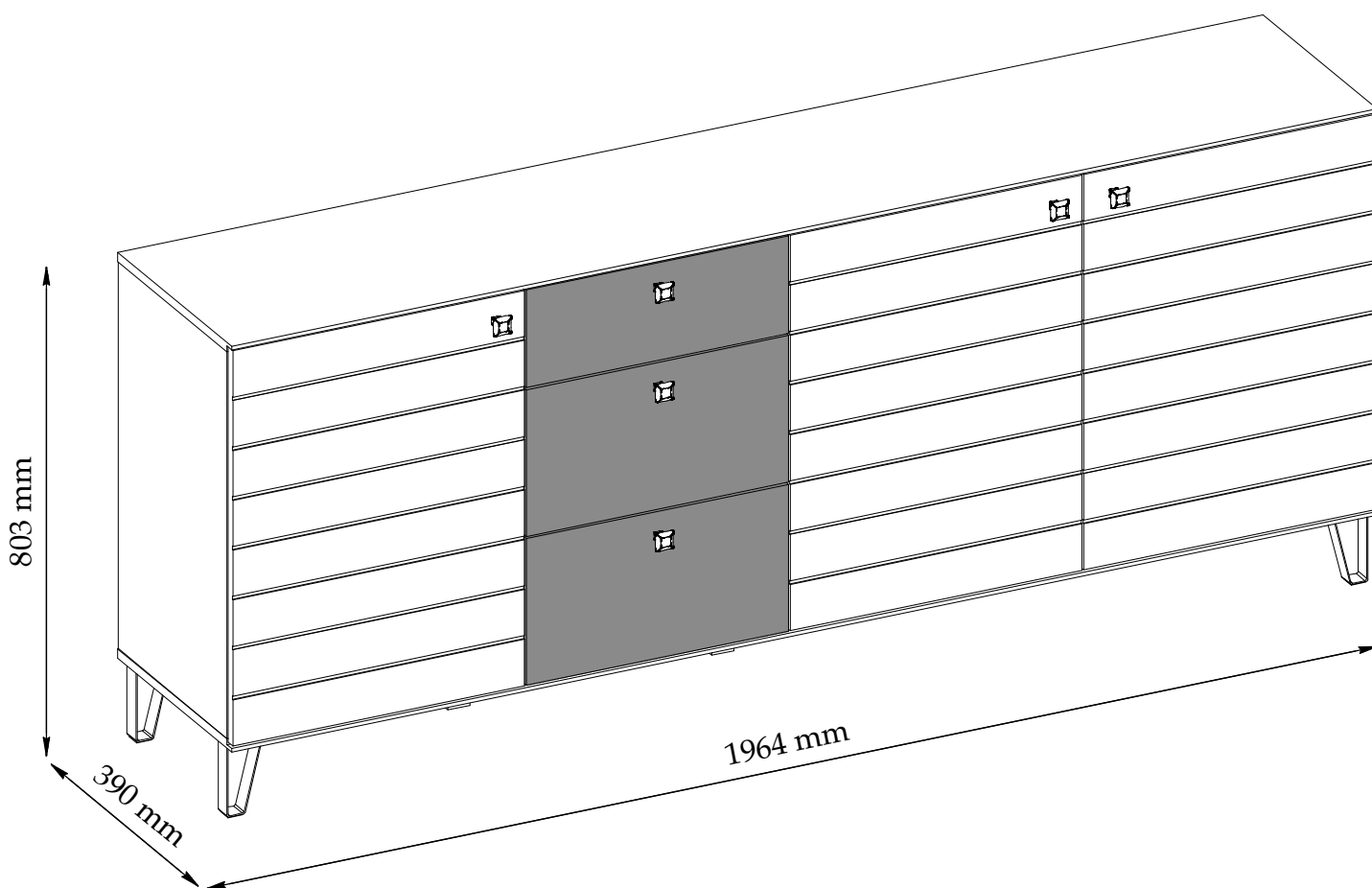
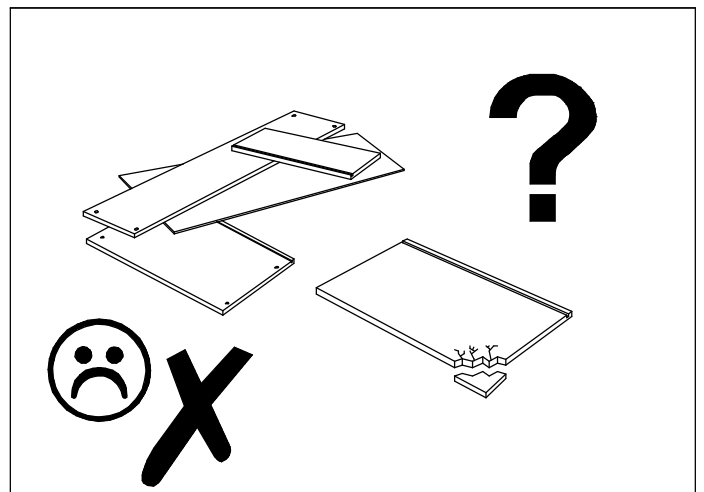
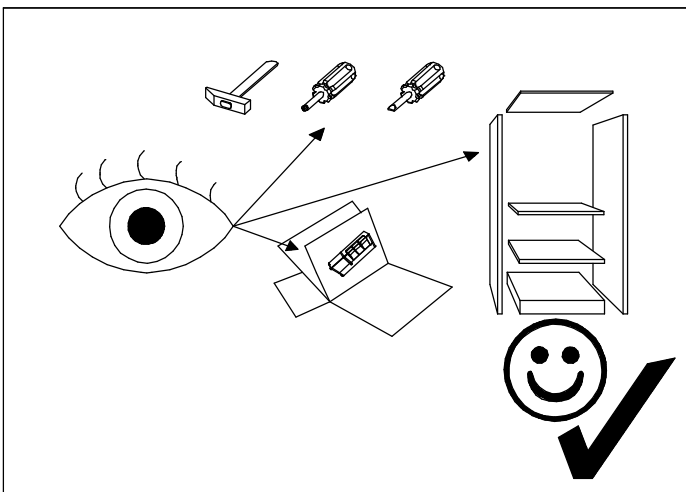
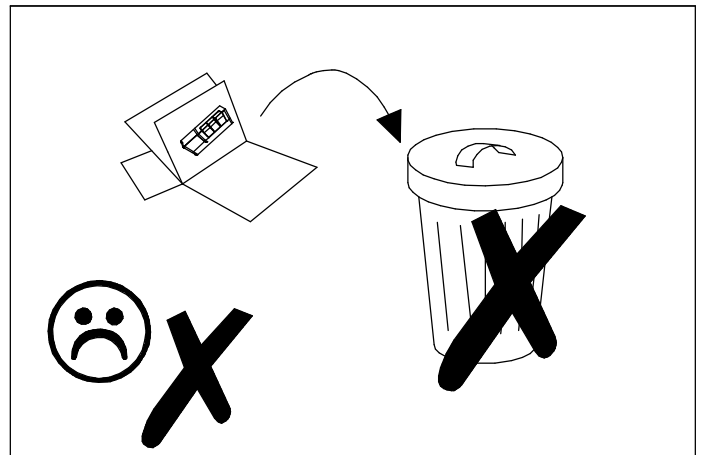
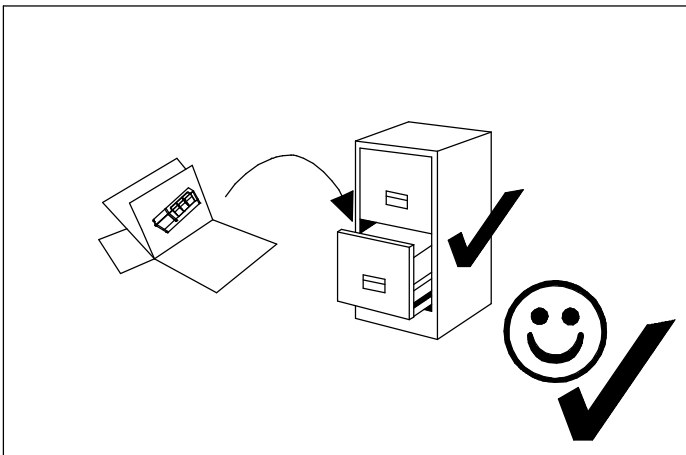
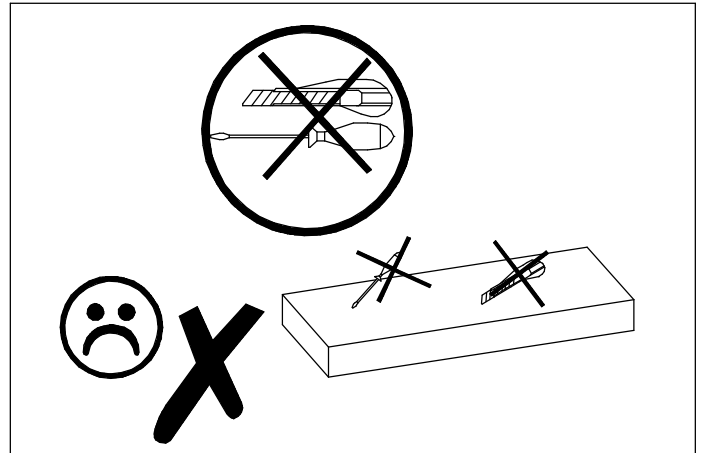
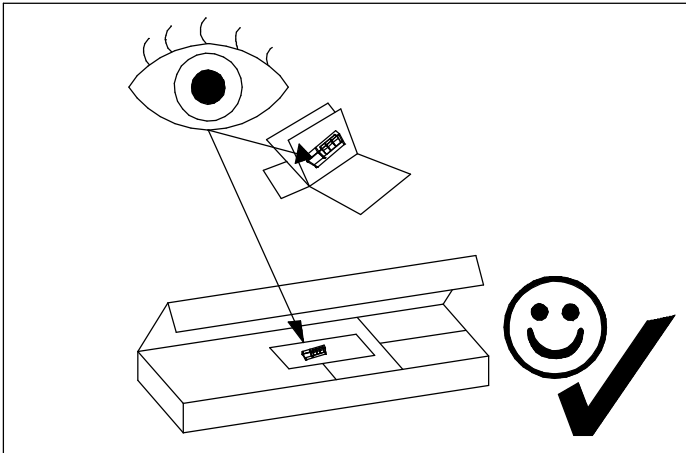


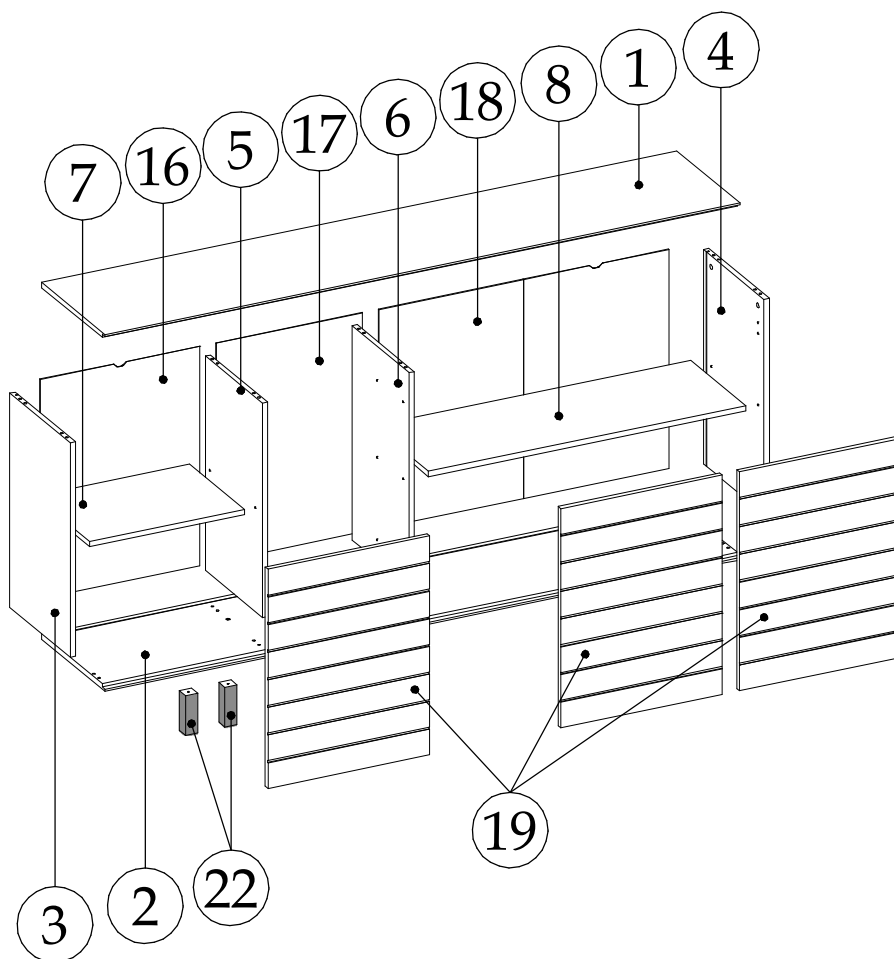
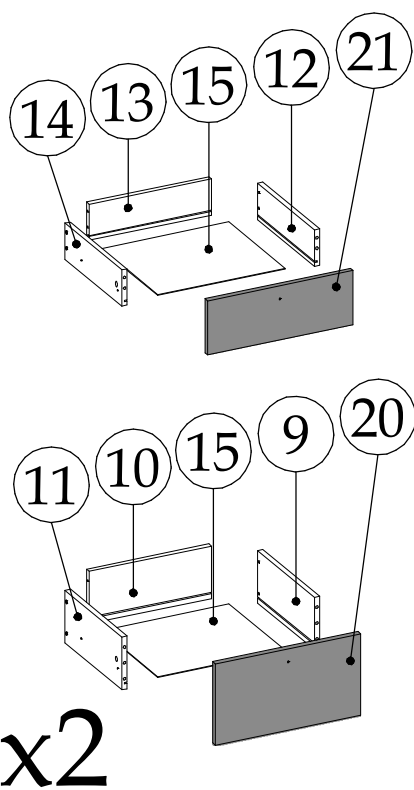
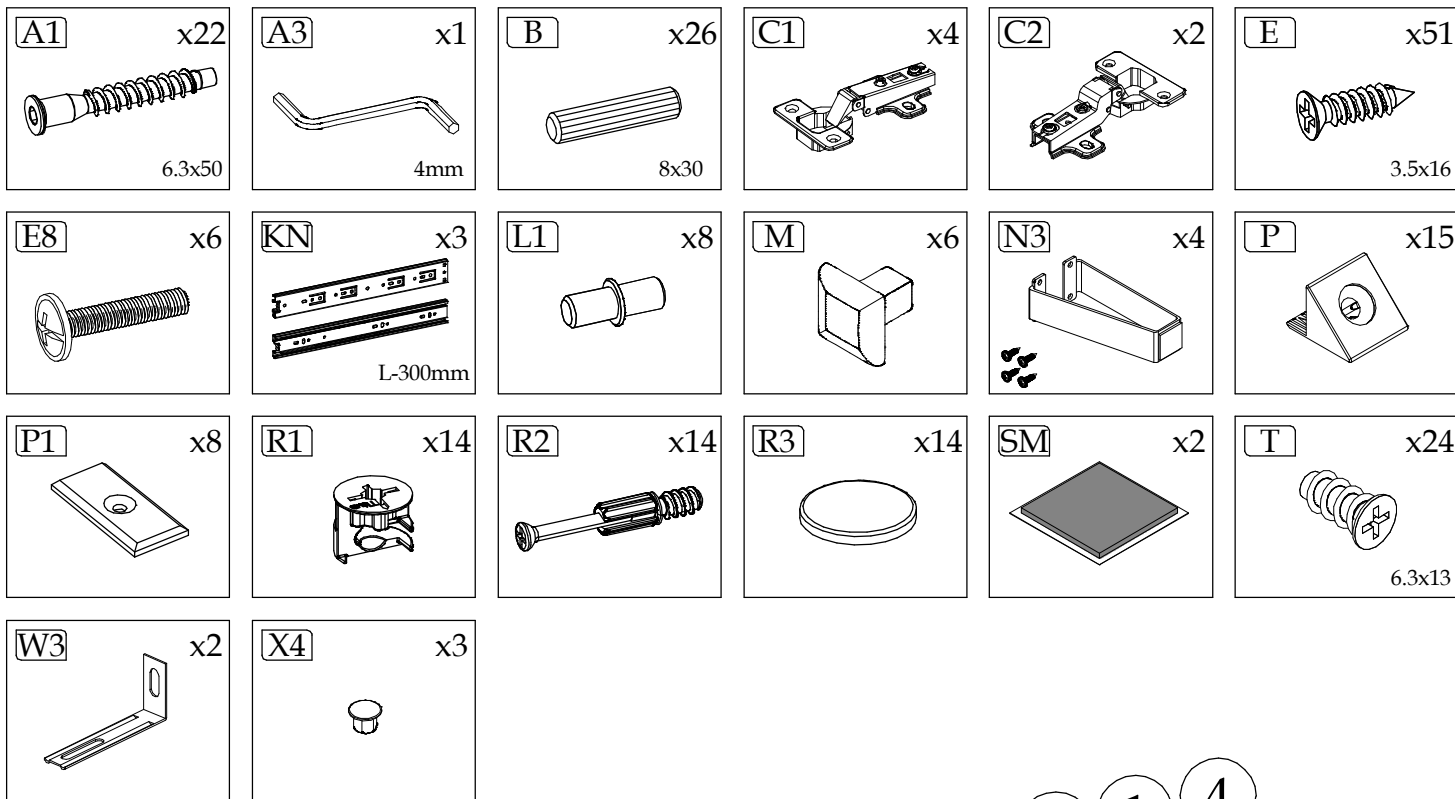
WEIL G



120 min



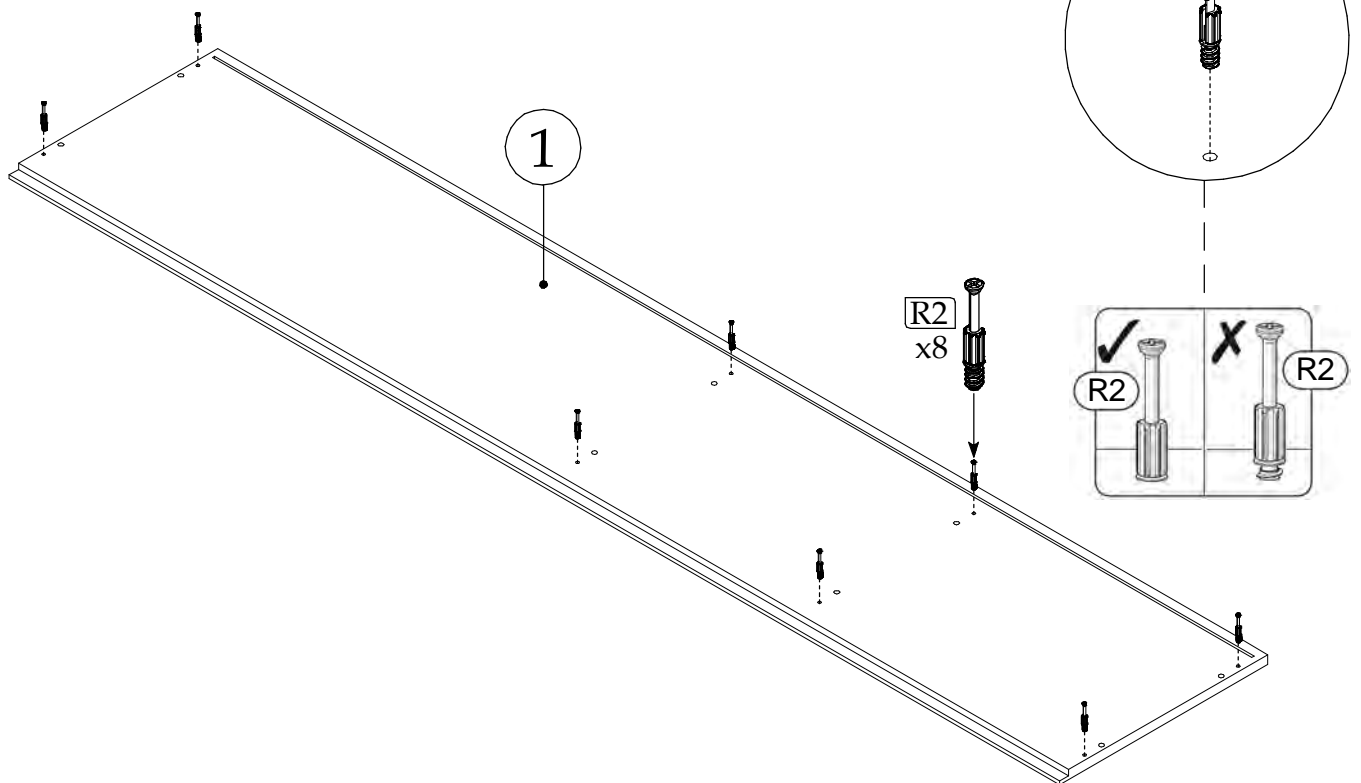
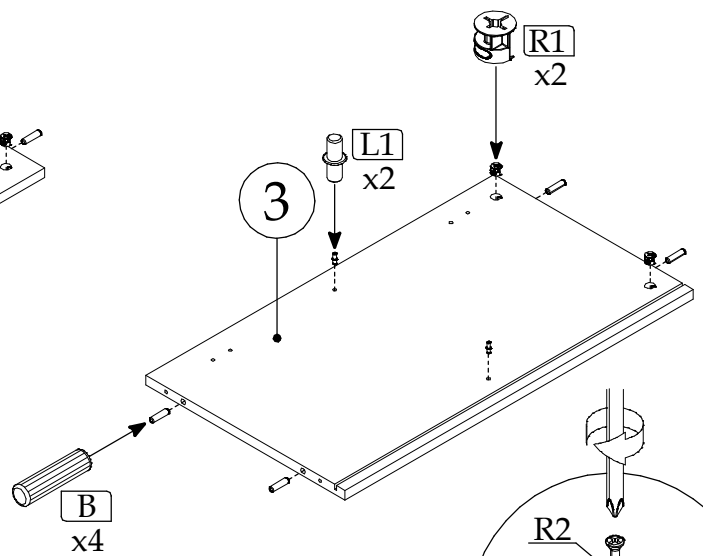
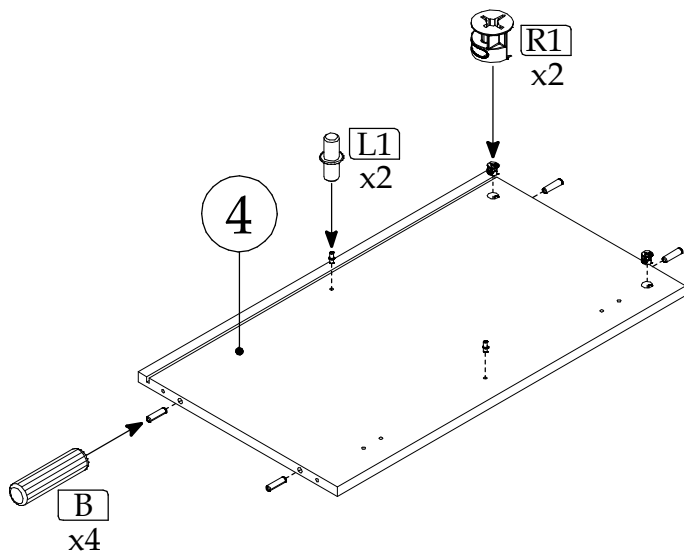
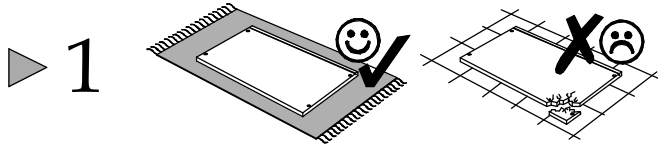
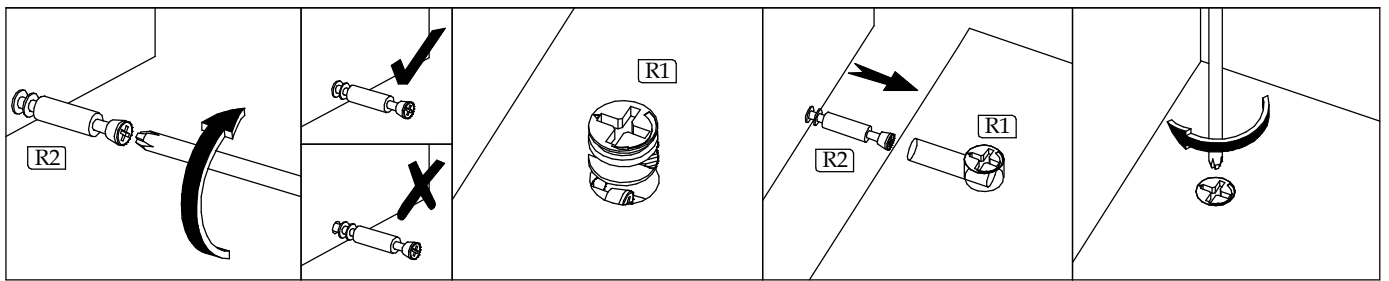




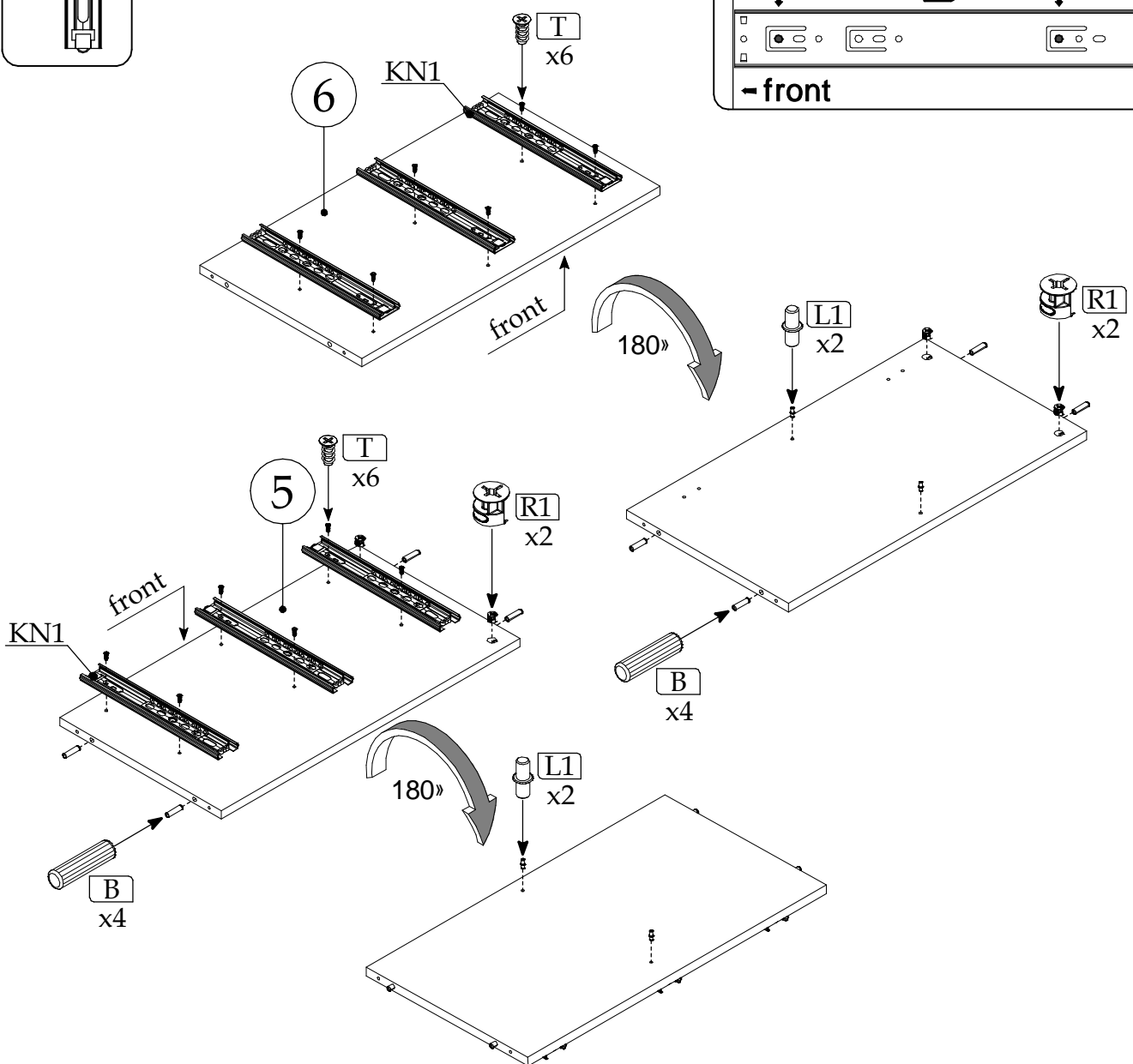
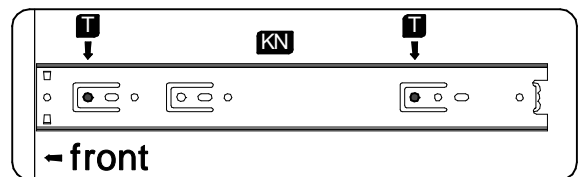
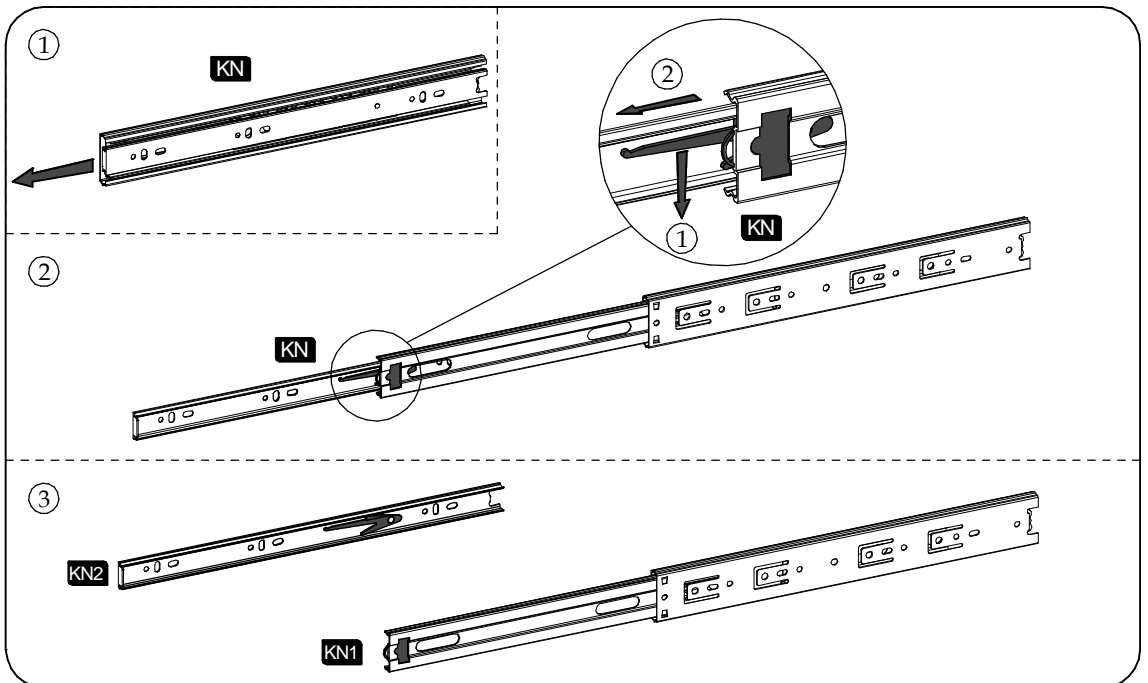
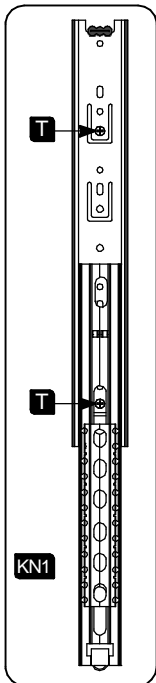
Element symbol	Measurements	Code	Paket
1	1964 390 16 1	1002	1/2
2	1964 390 16 1	1001	1/2
3	651 372.5 16 1	1003	1/2
4	651 372.5 16 1	1004	1/2
5	651 352.5 16 1	1005	1/2
6	651 352.5 16 1	1031	1/2
7	479 340 16 1		1/2

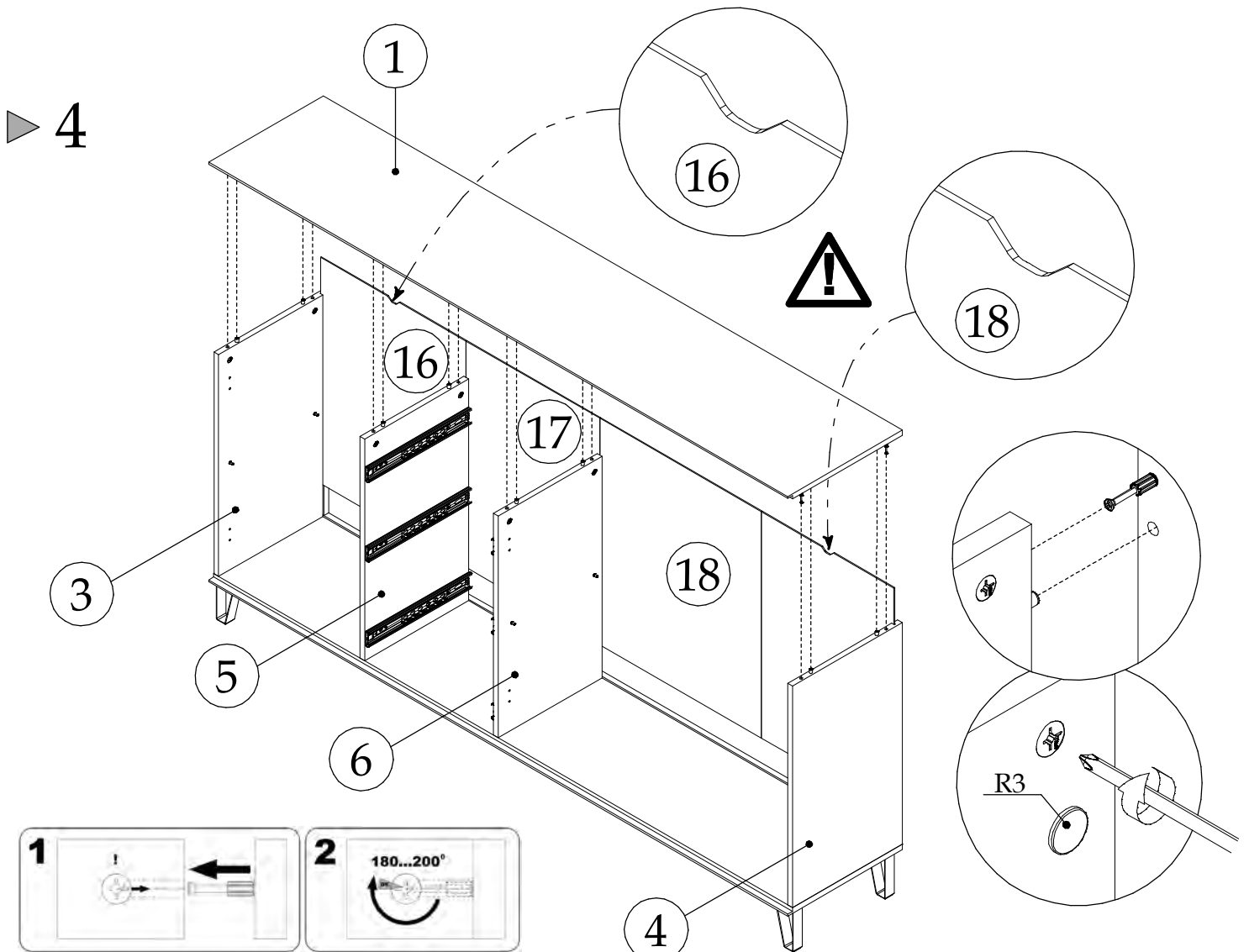
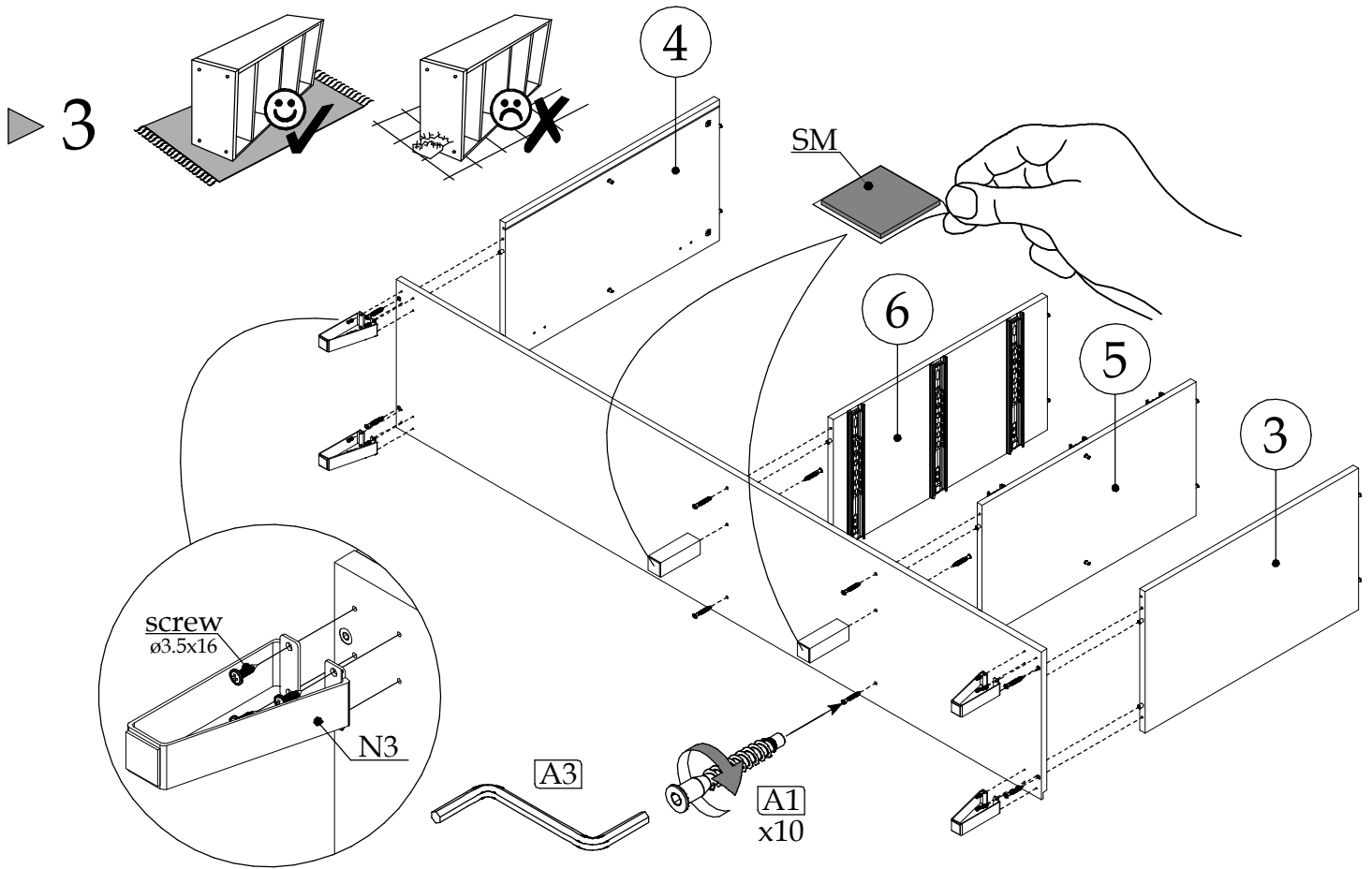
8	982	340	16	1		1/2
9	350	160	16	2	1034	1/2
10	379.5	160	16	2	1035	2/2
11	350	160	16	2	1036	1/2
12	350	110	16	1	1044	1/2
13	379.5	110	16	1	1045	2/2
14	350	110	16	1	1046	1/2
15	393.5	346	3	3		1/2

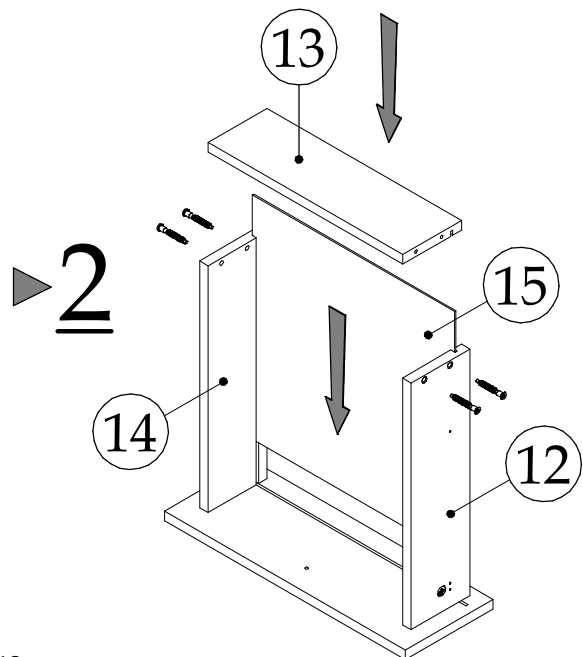
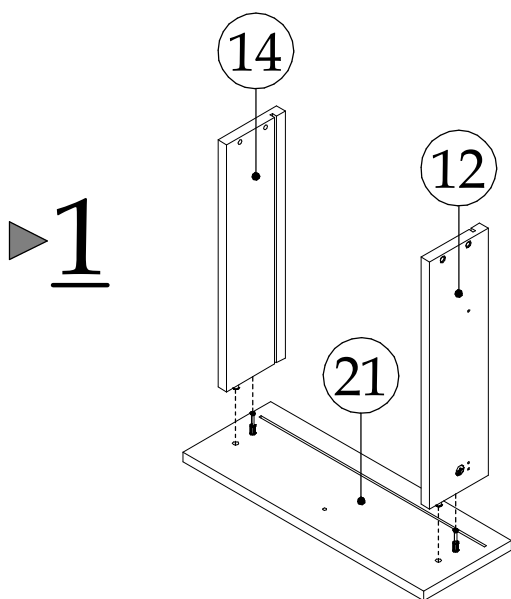
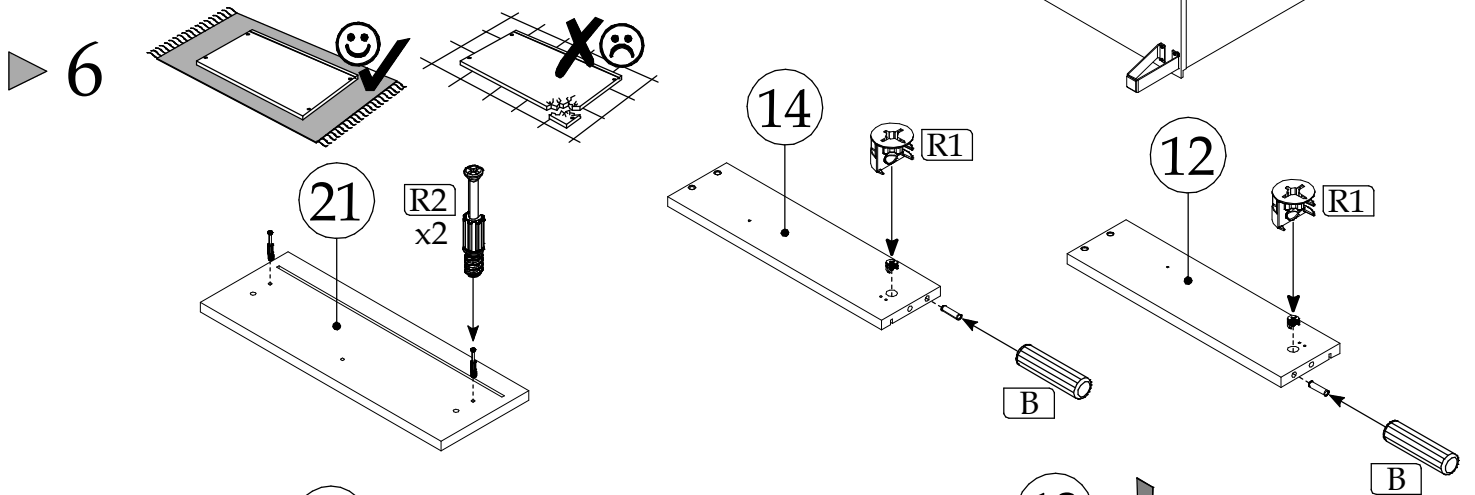
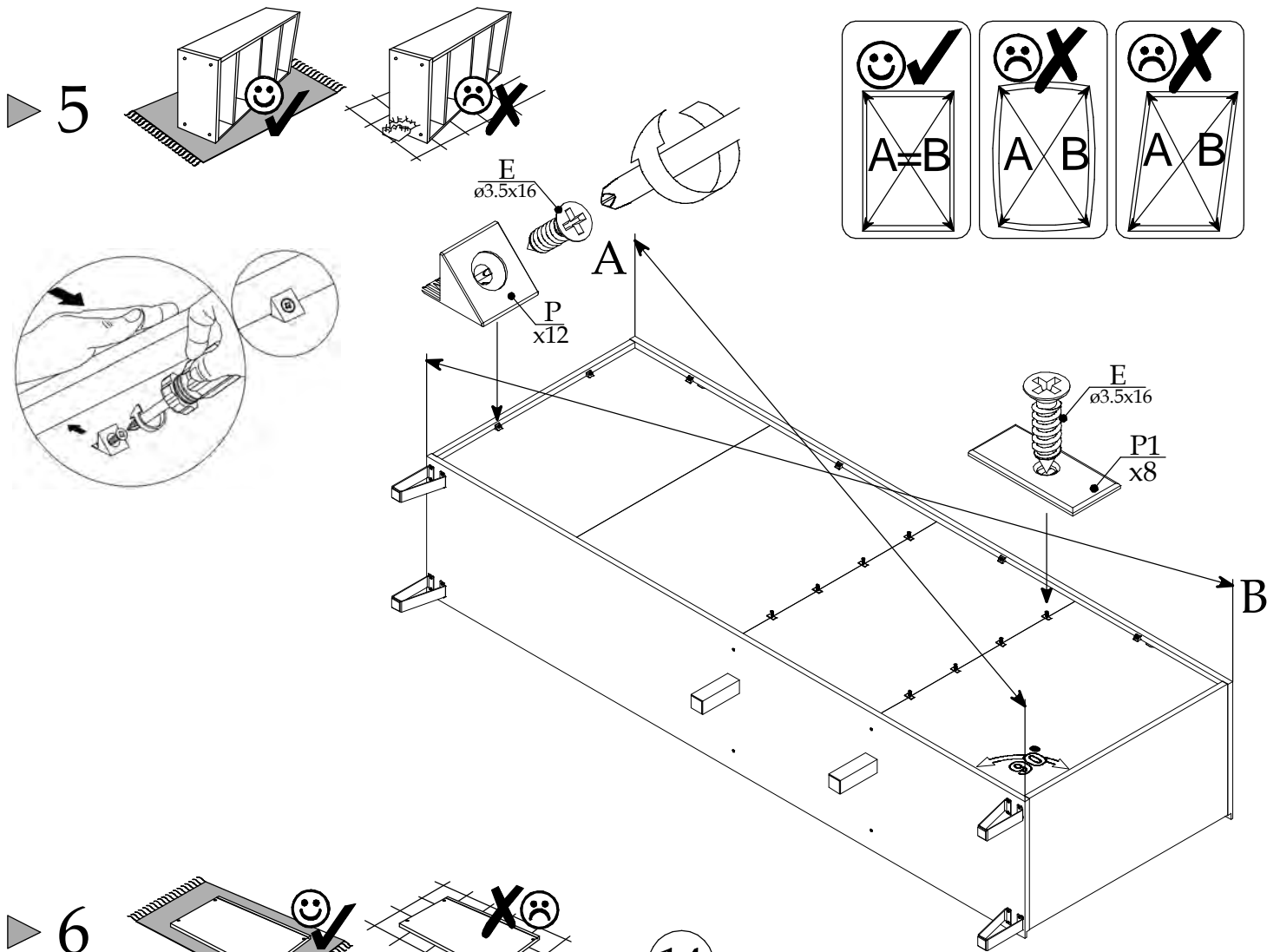
16	665	494	3	1	1006	2/2
17	665	453	3	1		2/2
18	665	997	3	1	1007	2/2
19	665	500	16	3	3014	2/2
20	450	247	16	2	3018	2/2
21	450	164	16	1	3019	2/2
22	120	38	38	2	4001	1/2

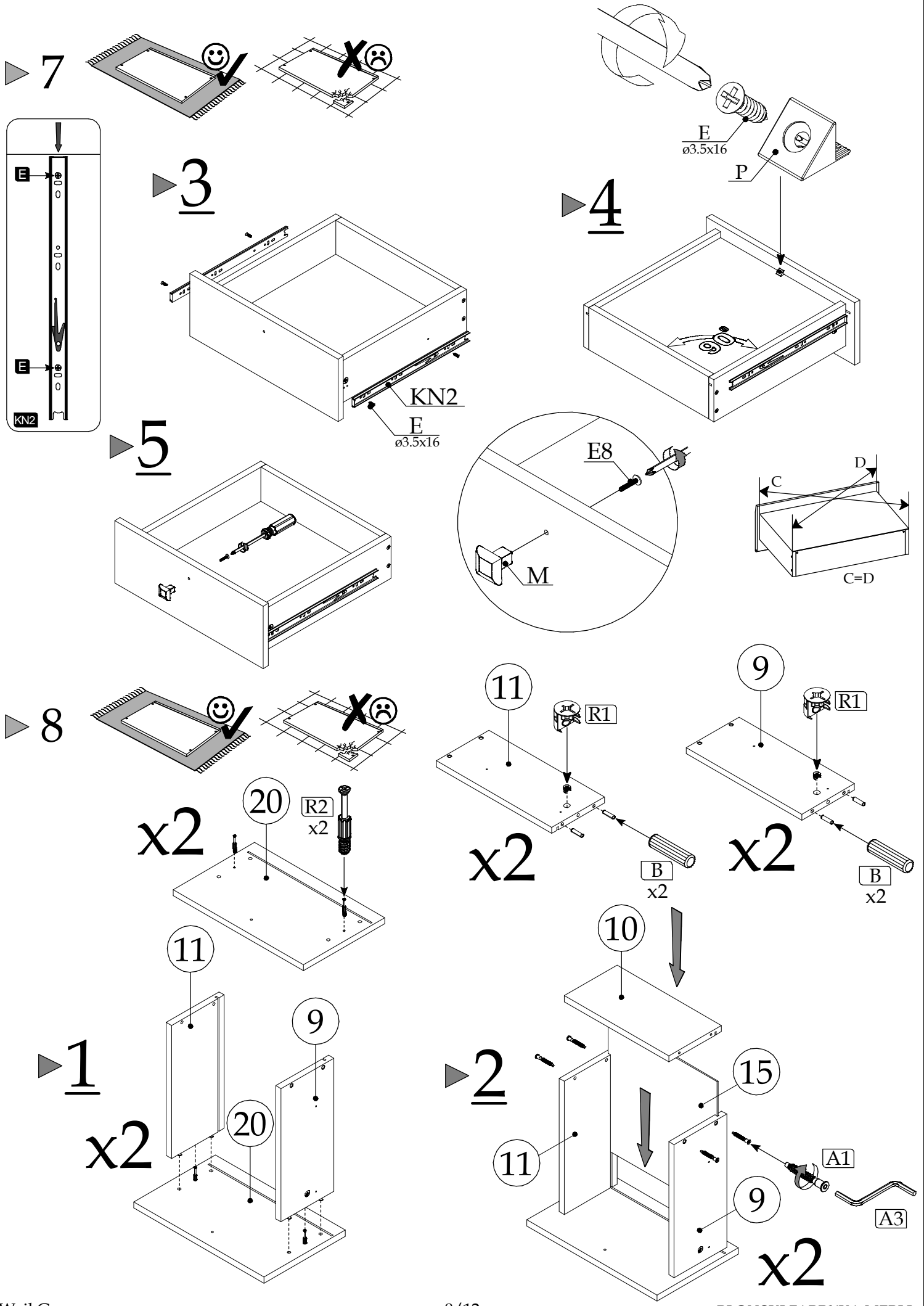


▶ 2

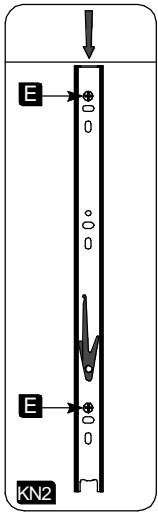




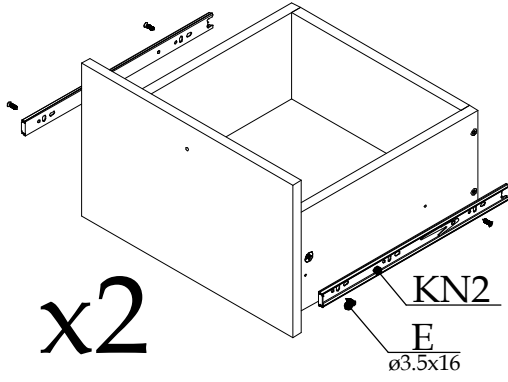




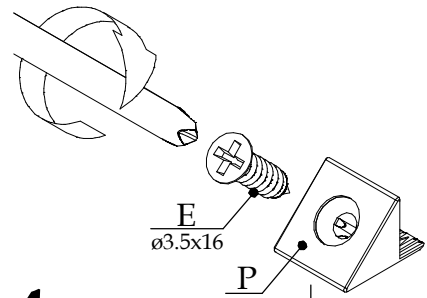
▶ 9



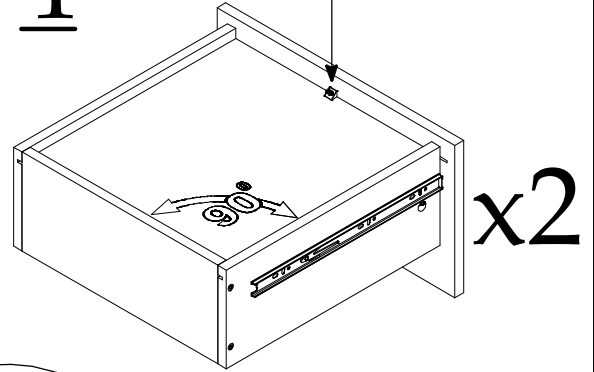
▶ 3



x2

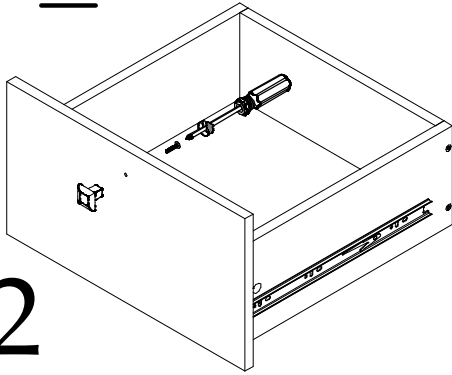


▶ 4

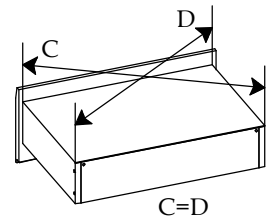
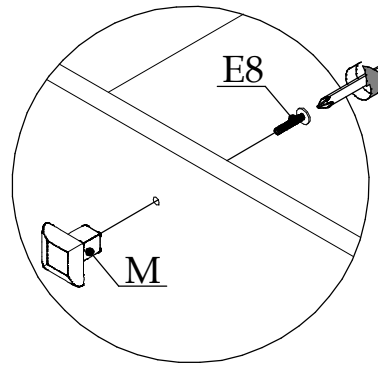


x2

▶ 5

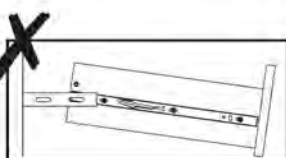
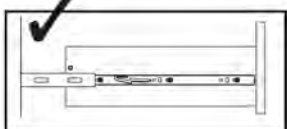
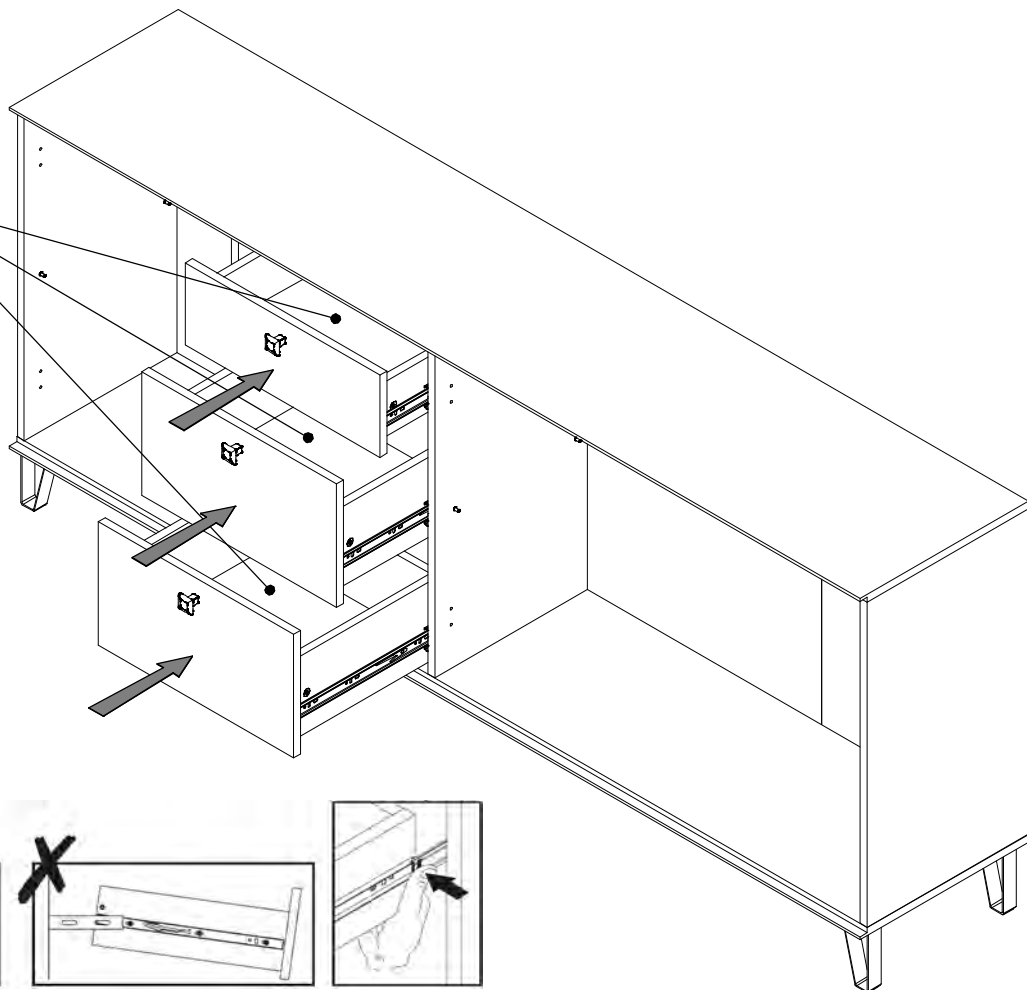


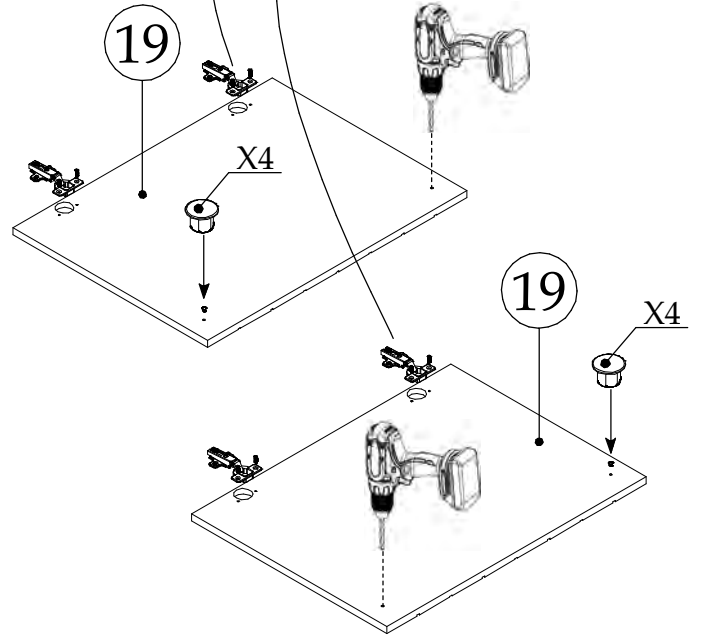
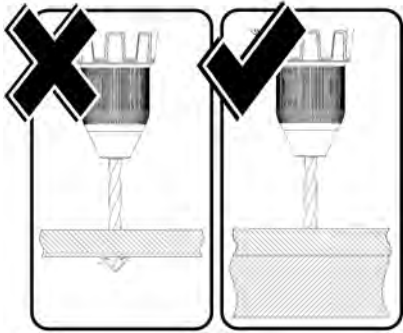
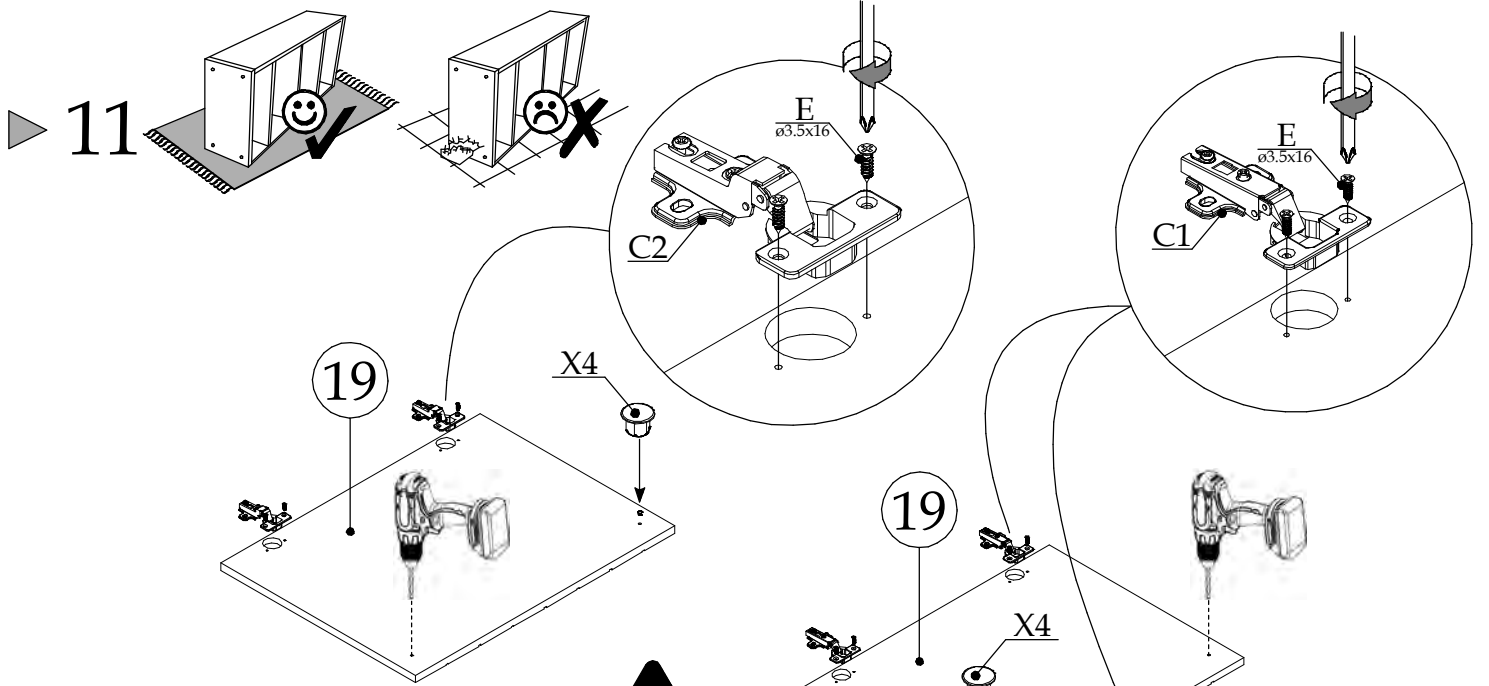
x2



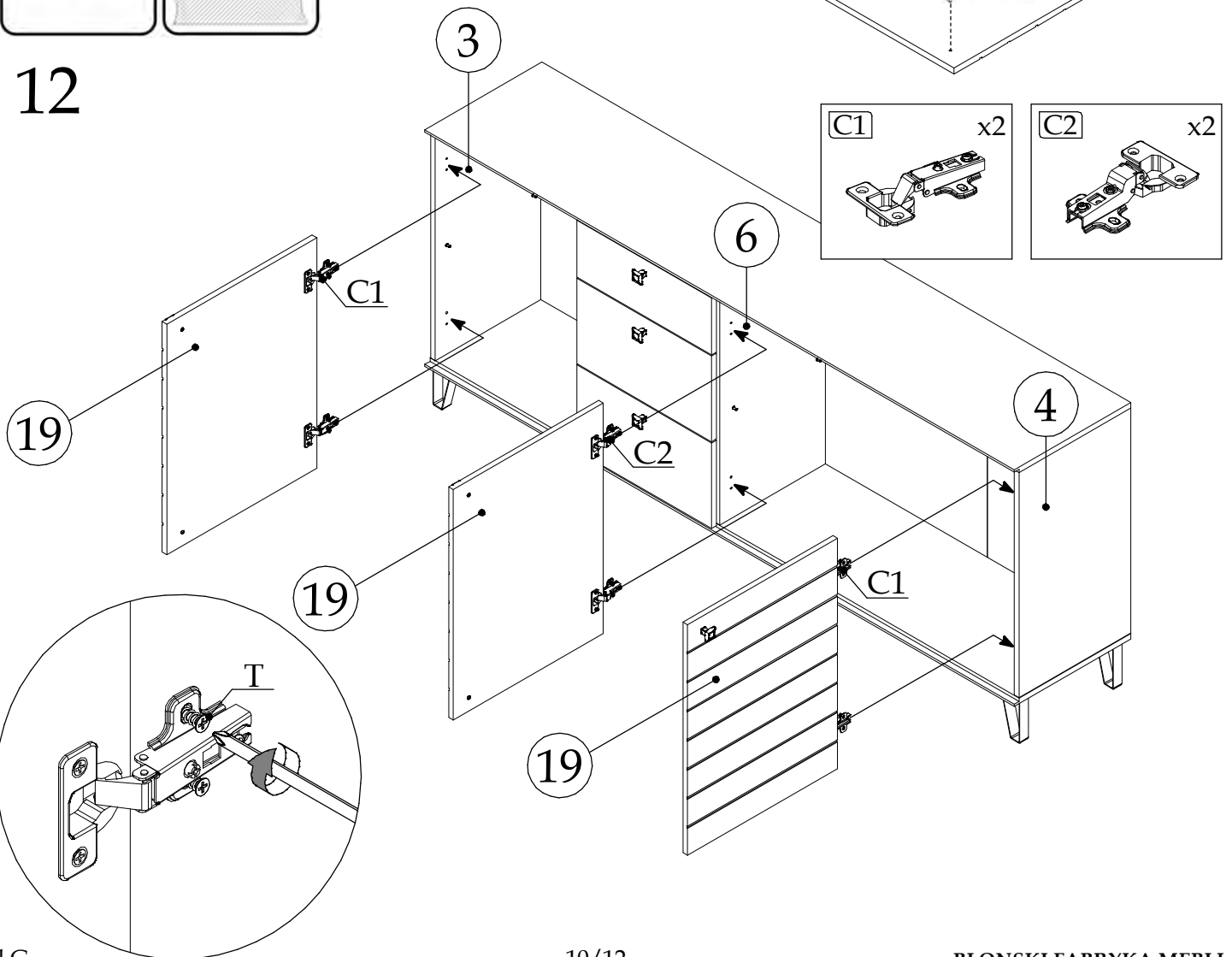
▶ 10

max. 3kg

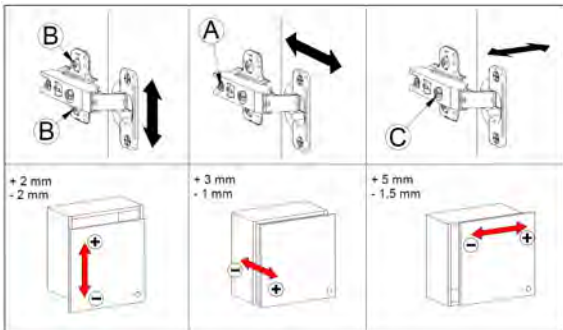
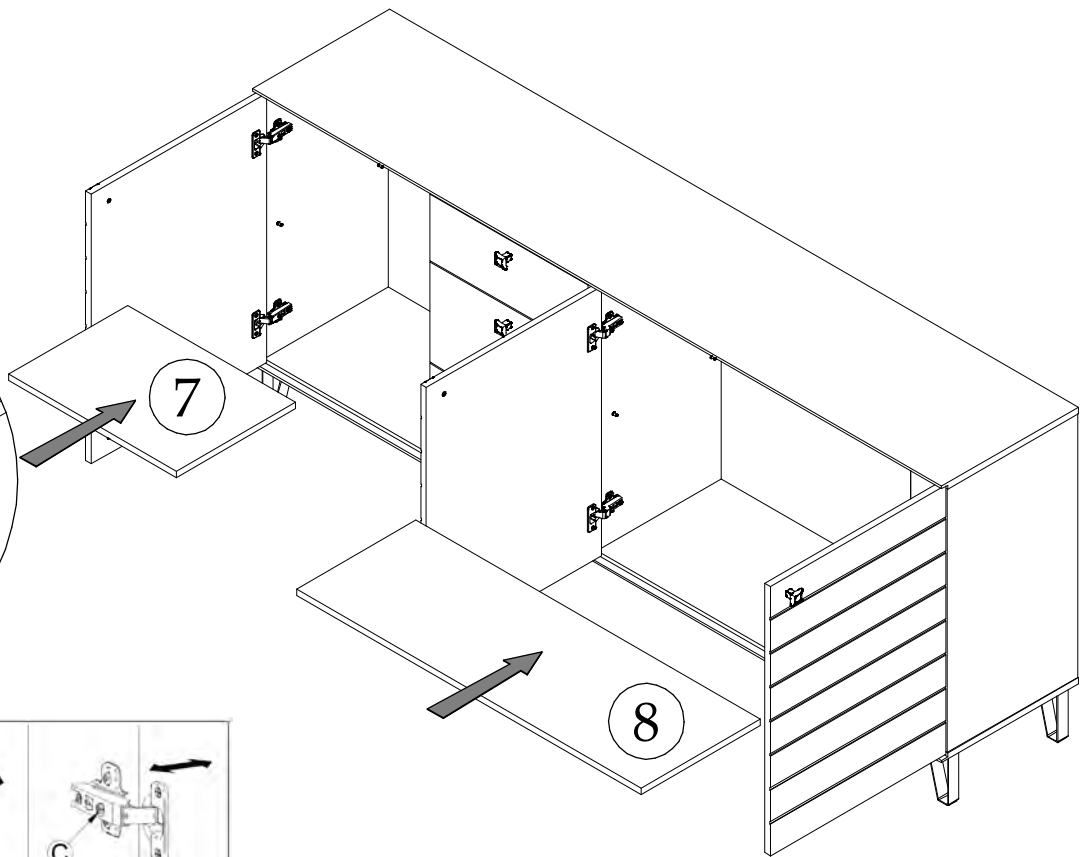
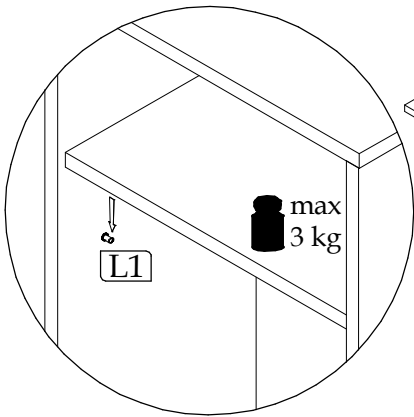




► 12



▶ 13



▶ 14

