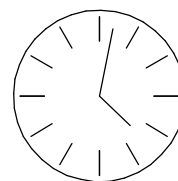
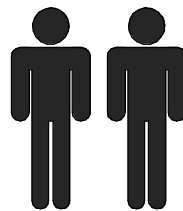
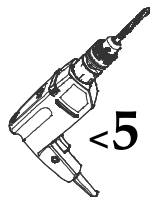
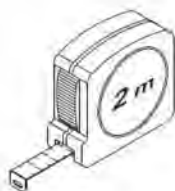
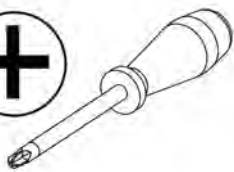
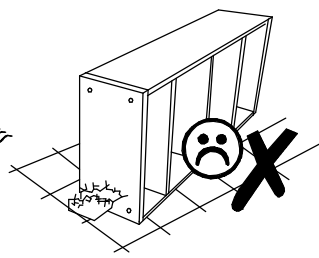
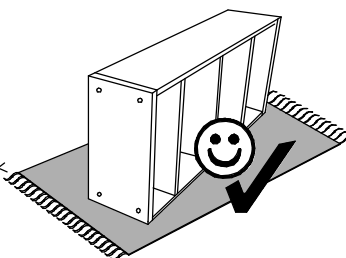
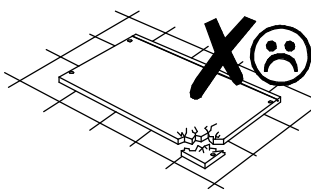
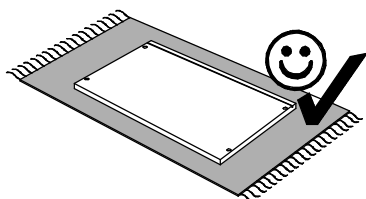
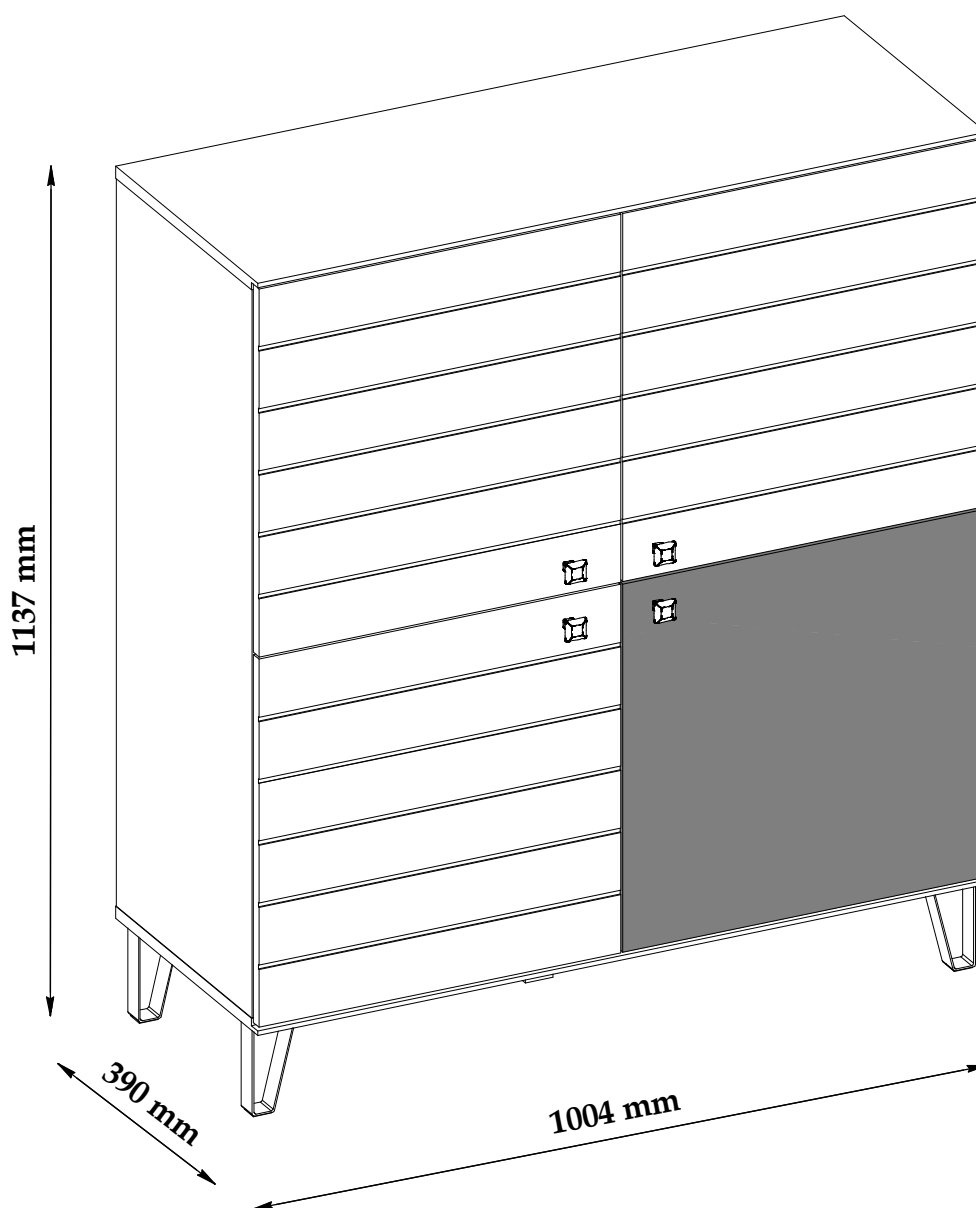
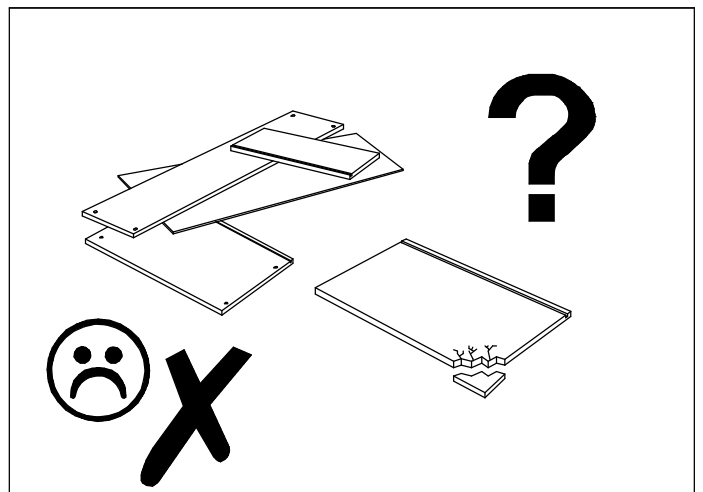
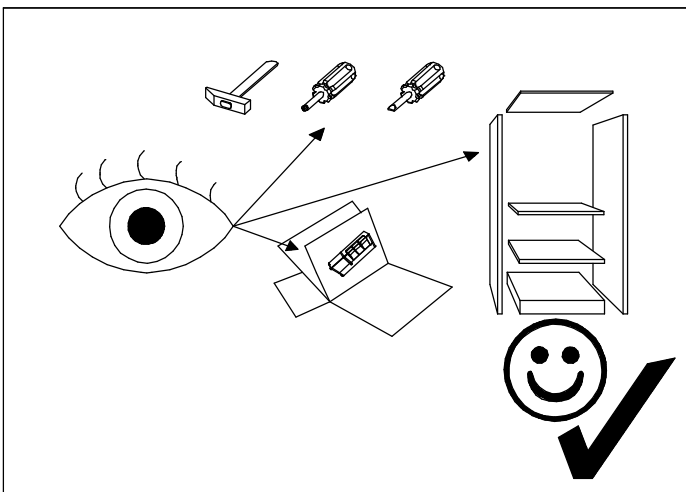
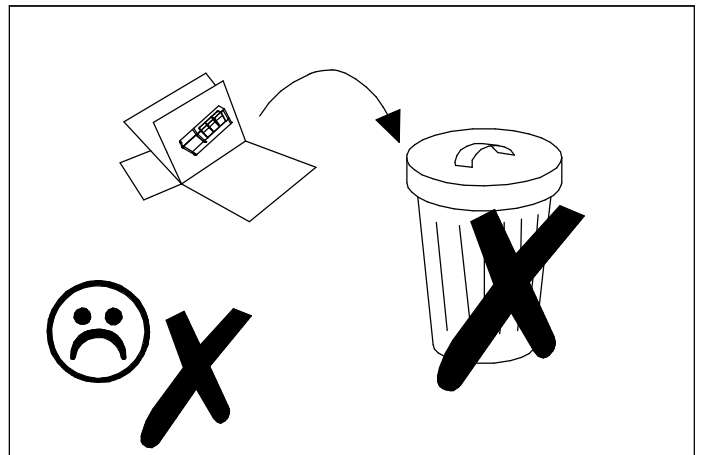
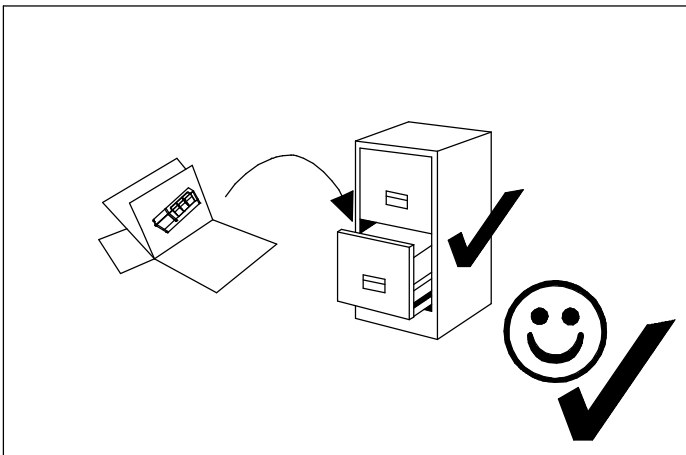
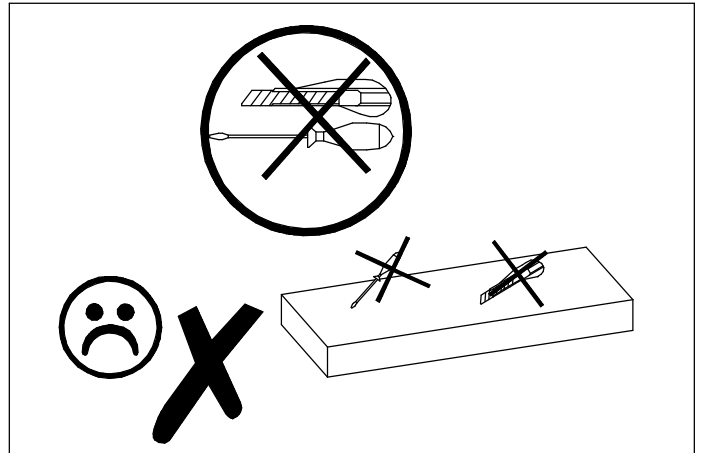
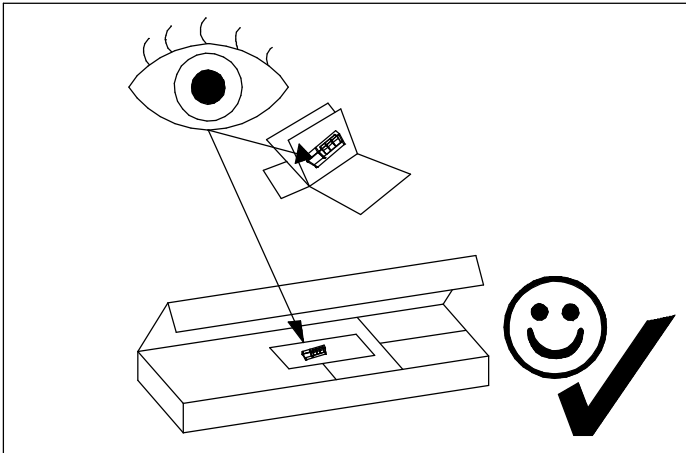


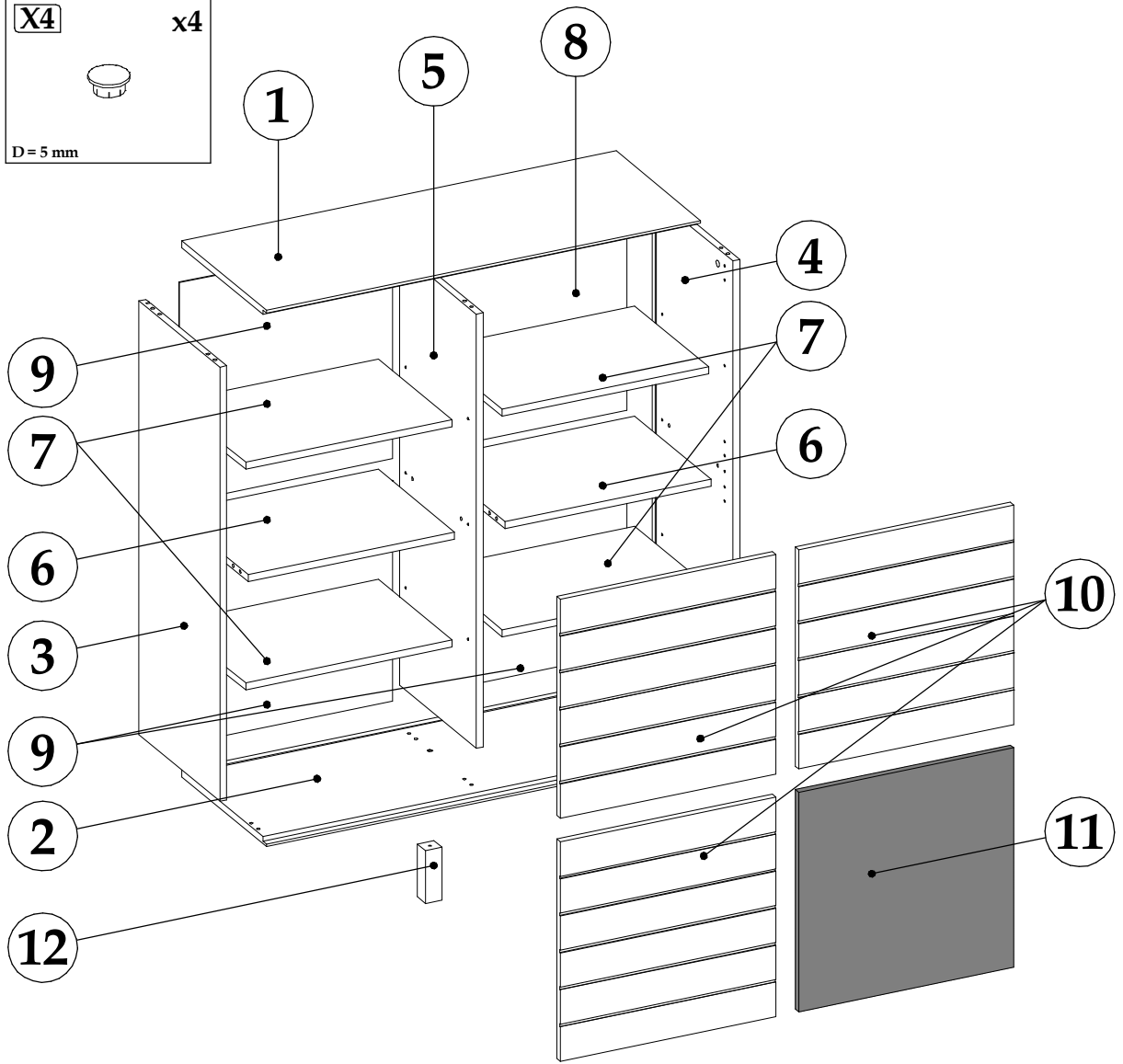
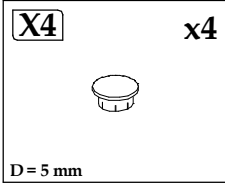
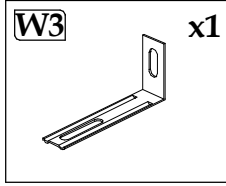
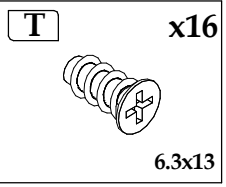
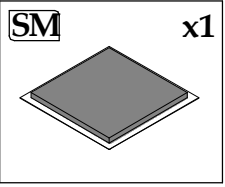
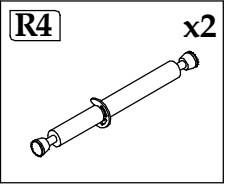
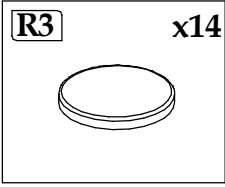
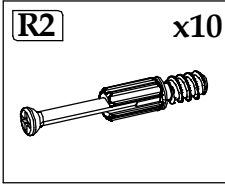
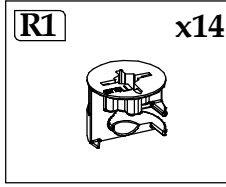
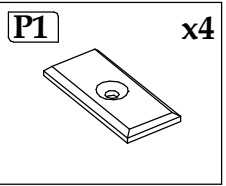
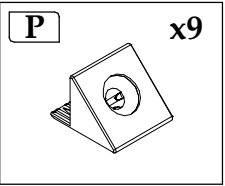
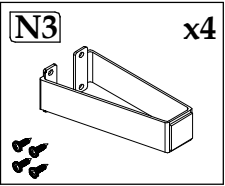
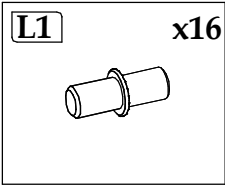
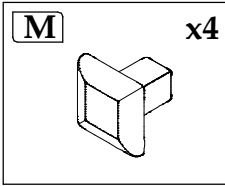
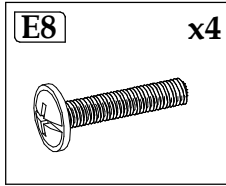
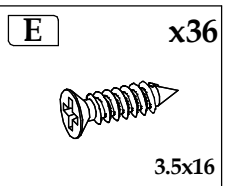
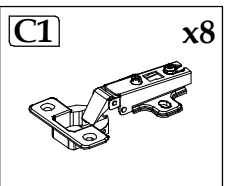
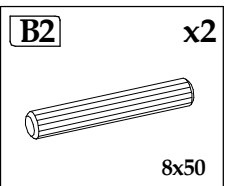
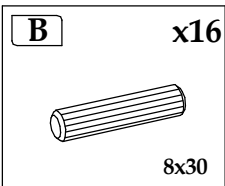
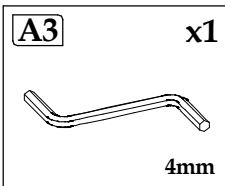
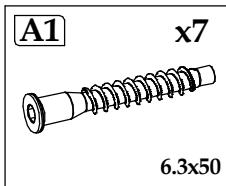
WEIL J



110 min

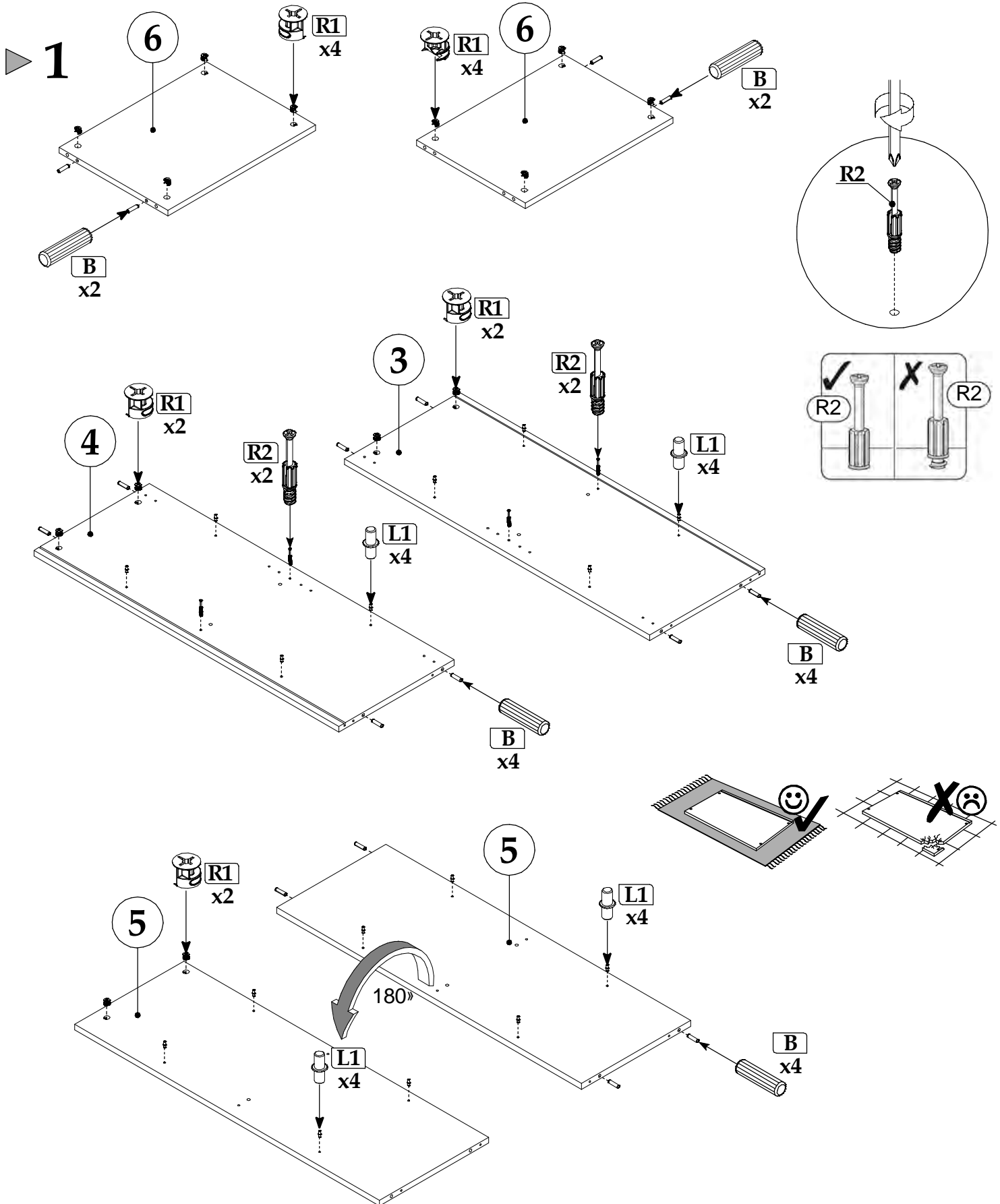
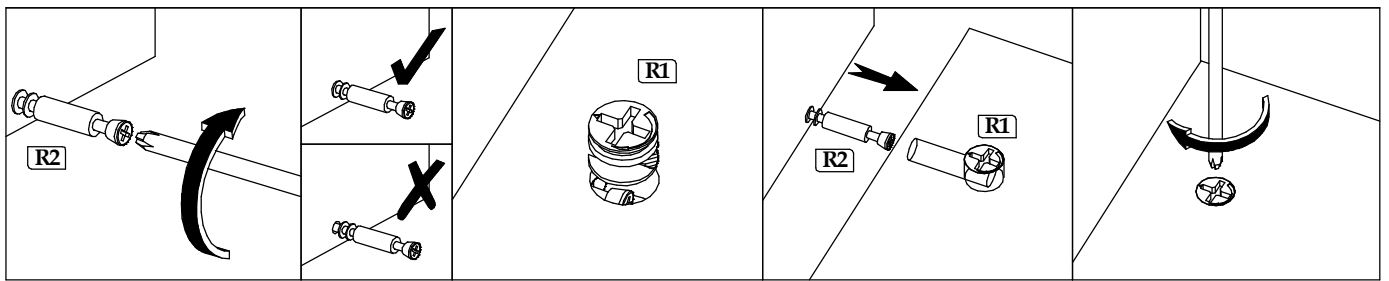




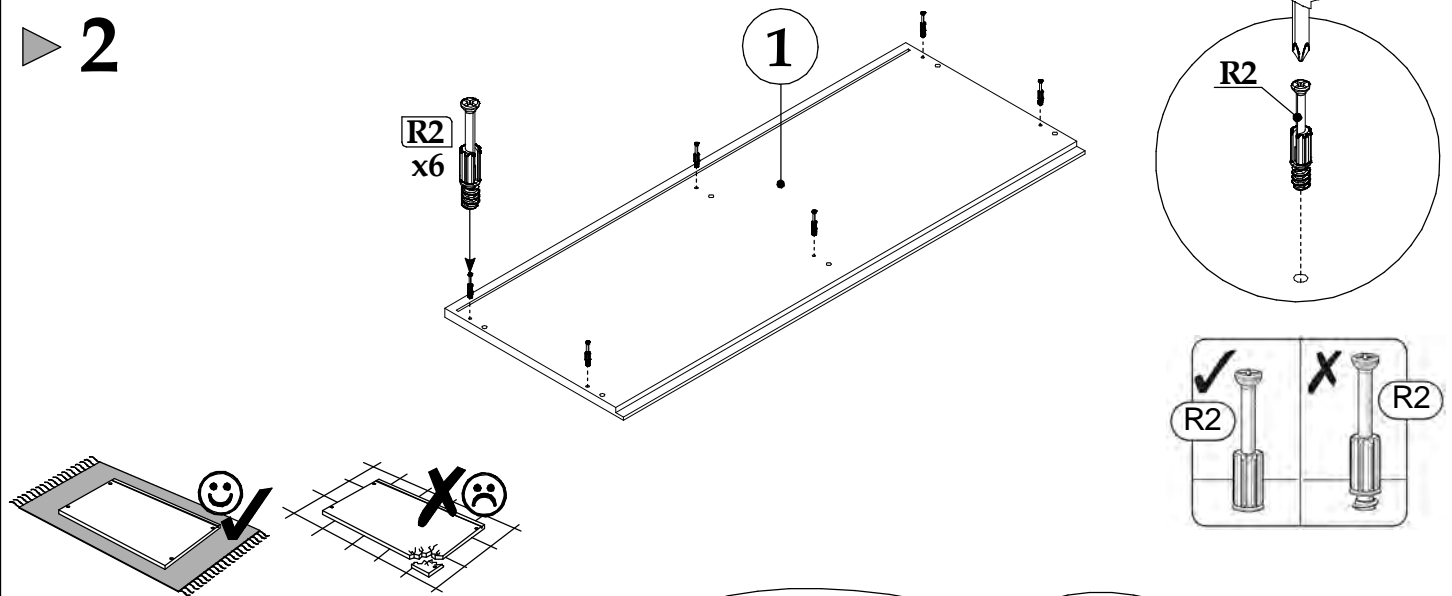


Element symbol	Measurements				Code	Paket
1	1004	390	16	1	1002	1/ 2
2	1004	390	16	1	1001	1/ 2
3	985	372.5	16	1	1003	1/ 2
4	985	372.5	16	1	1004	1/ 2
5	985	352.5	16	1	1005	1/ 2
6	477	352	16	2	1032	1/ 2

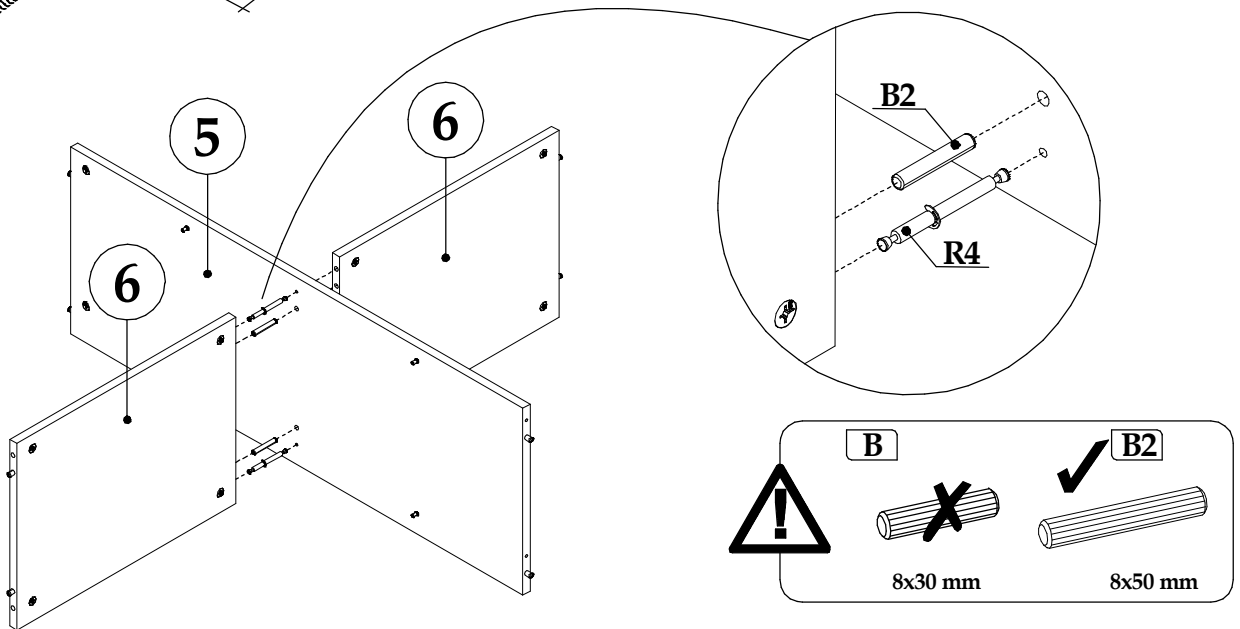
7	477	340	16	4		1/ 2
8	499,5	492	3	1	1006_v	2/ 2
9	499,5	492	3	3		2/ 2
10	500	500	16	3	1018	2/ 2
11	500	500	16	1	1029	2/ 2
12	120	38	38	1	4001	1/ 2



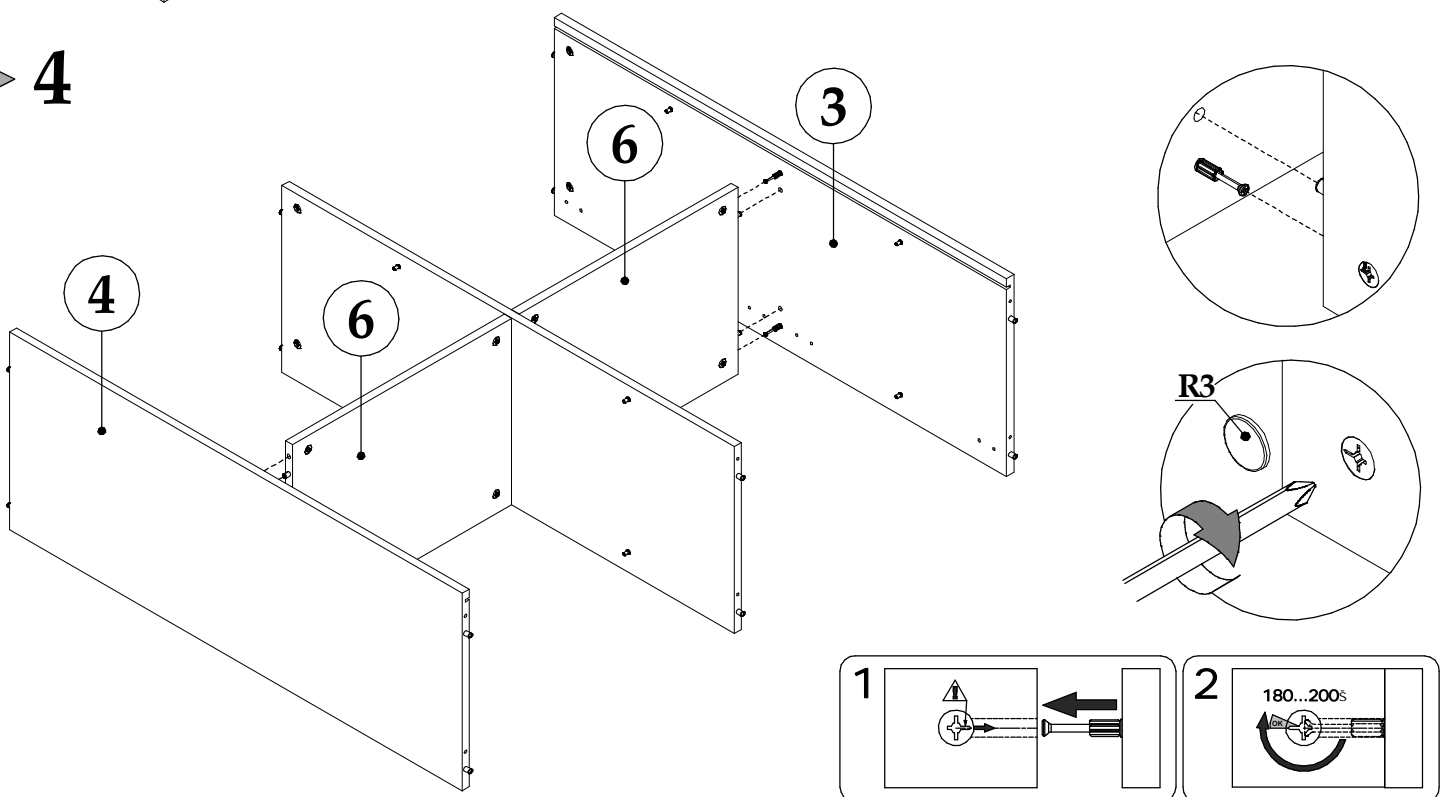
▶ 2



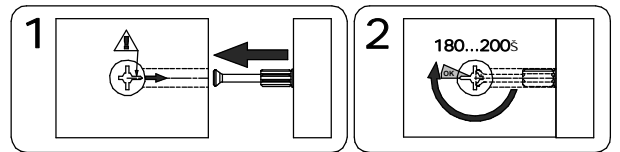
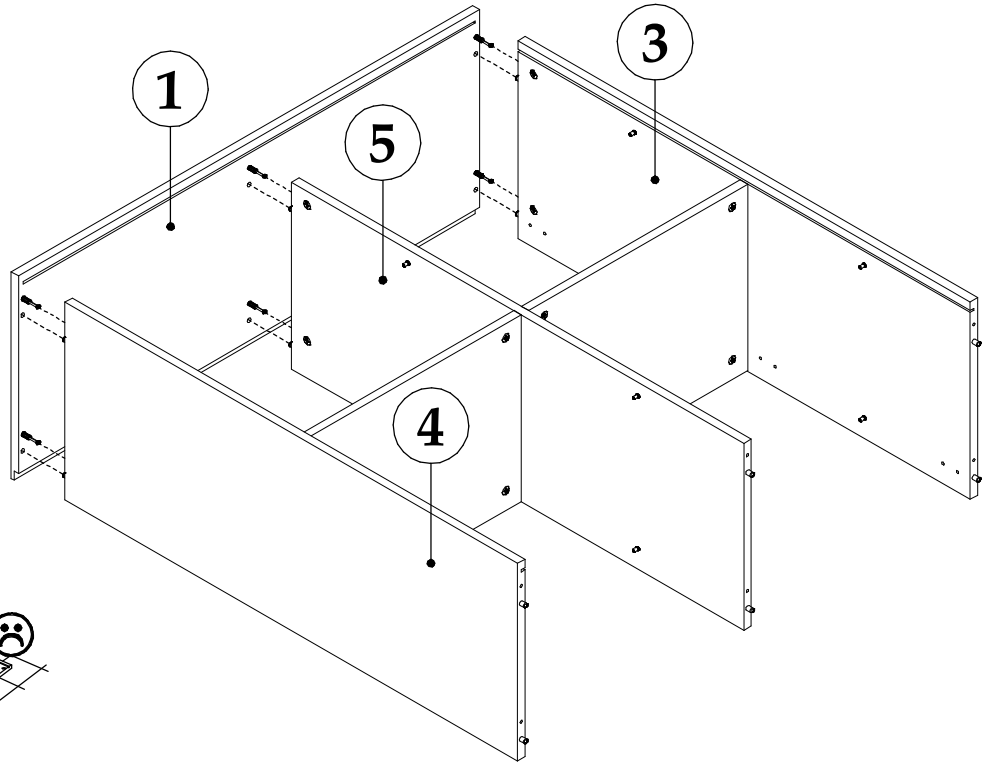
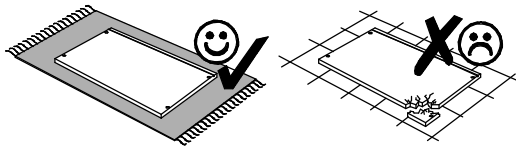
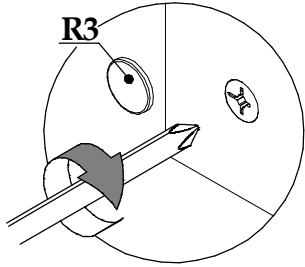
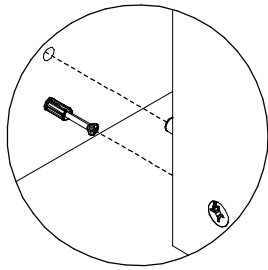
▶ 3



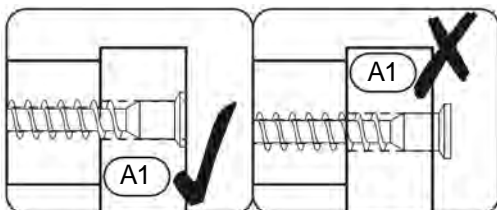
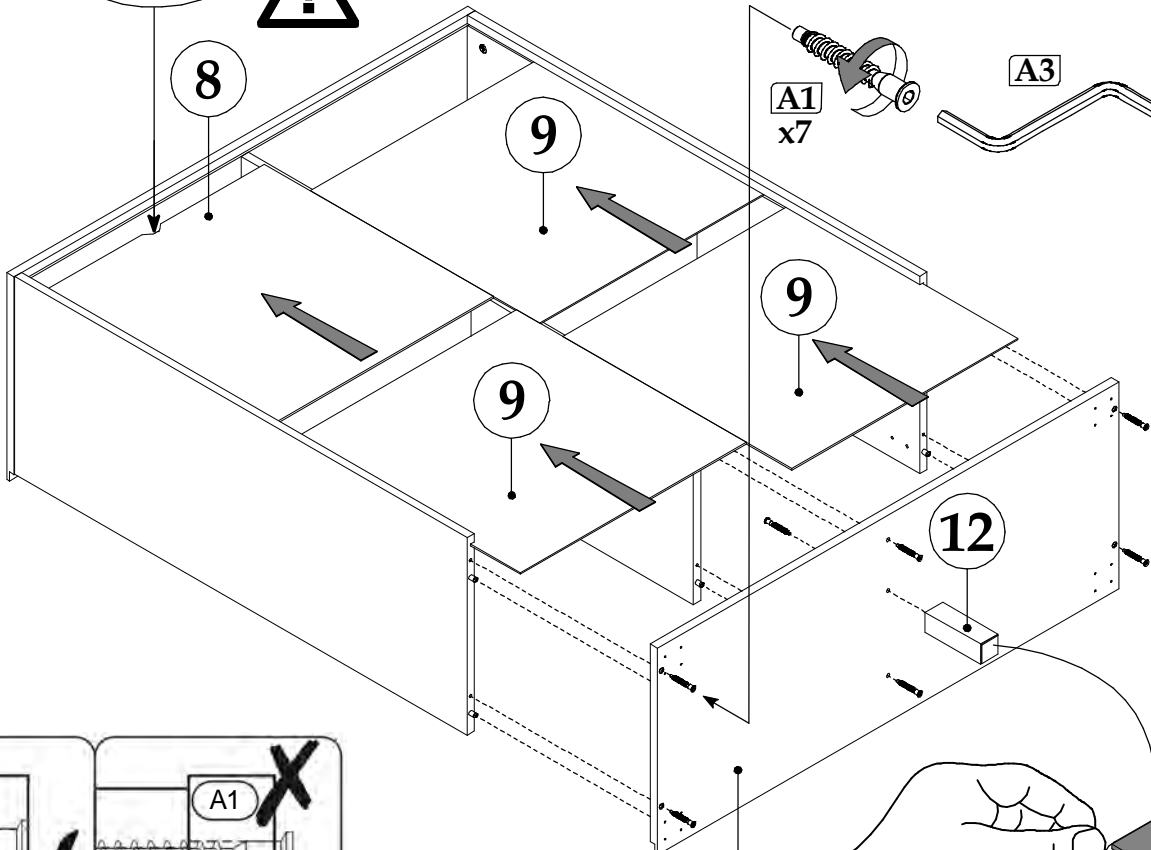
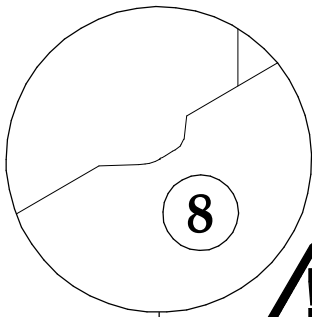
▶ 4



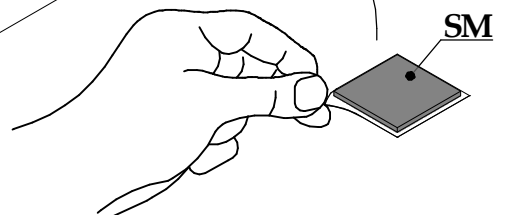
▶ 5



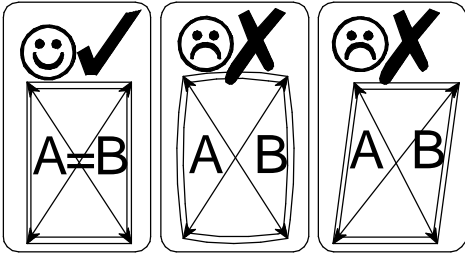
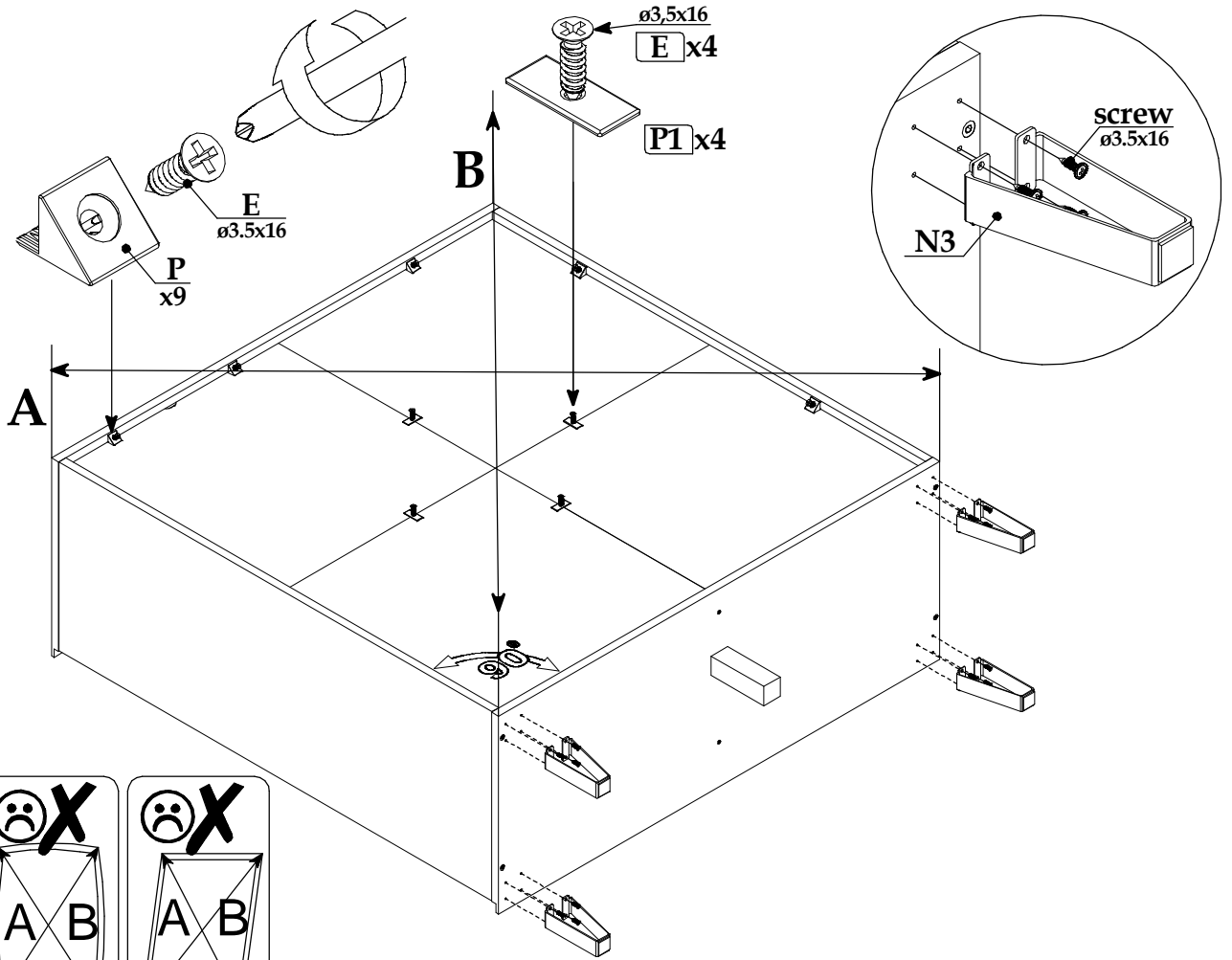
▶ 6



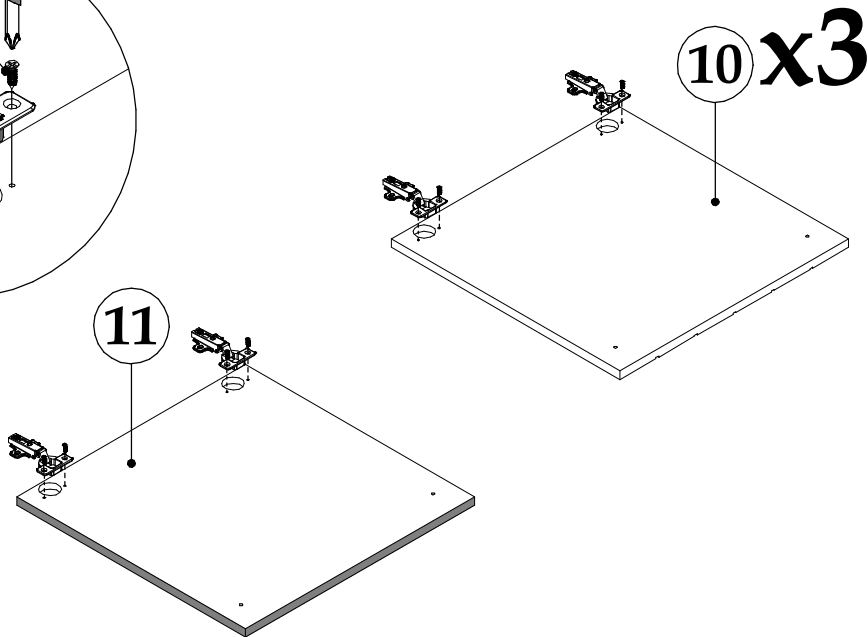
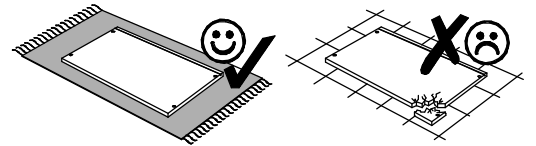
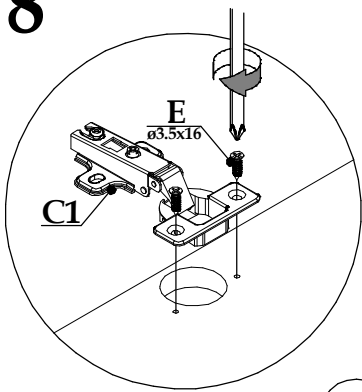
2



7



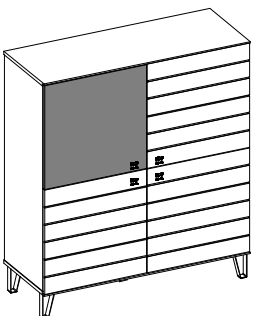
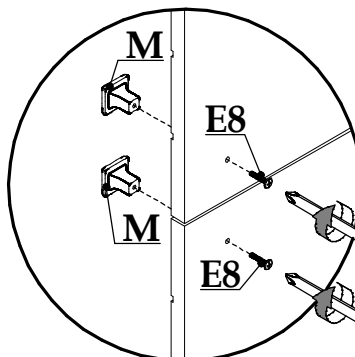
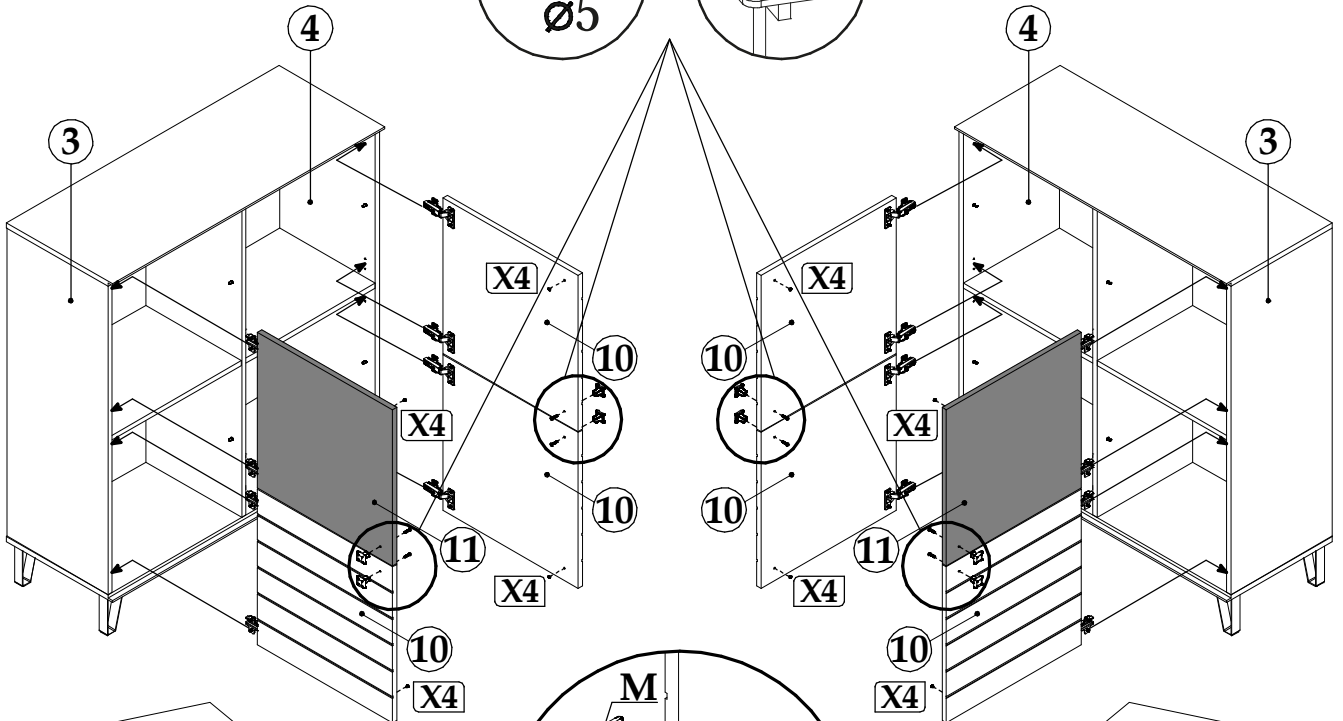
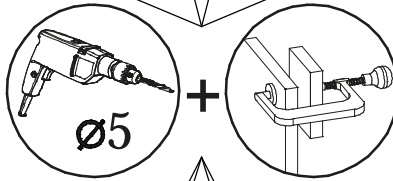
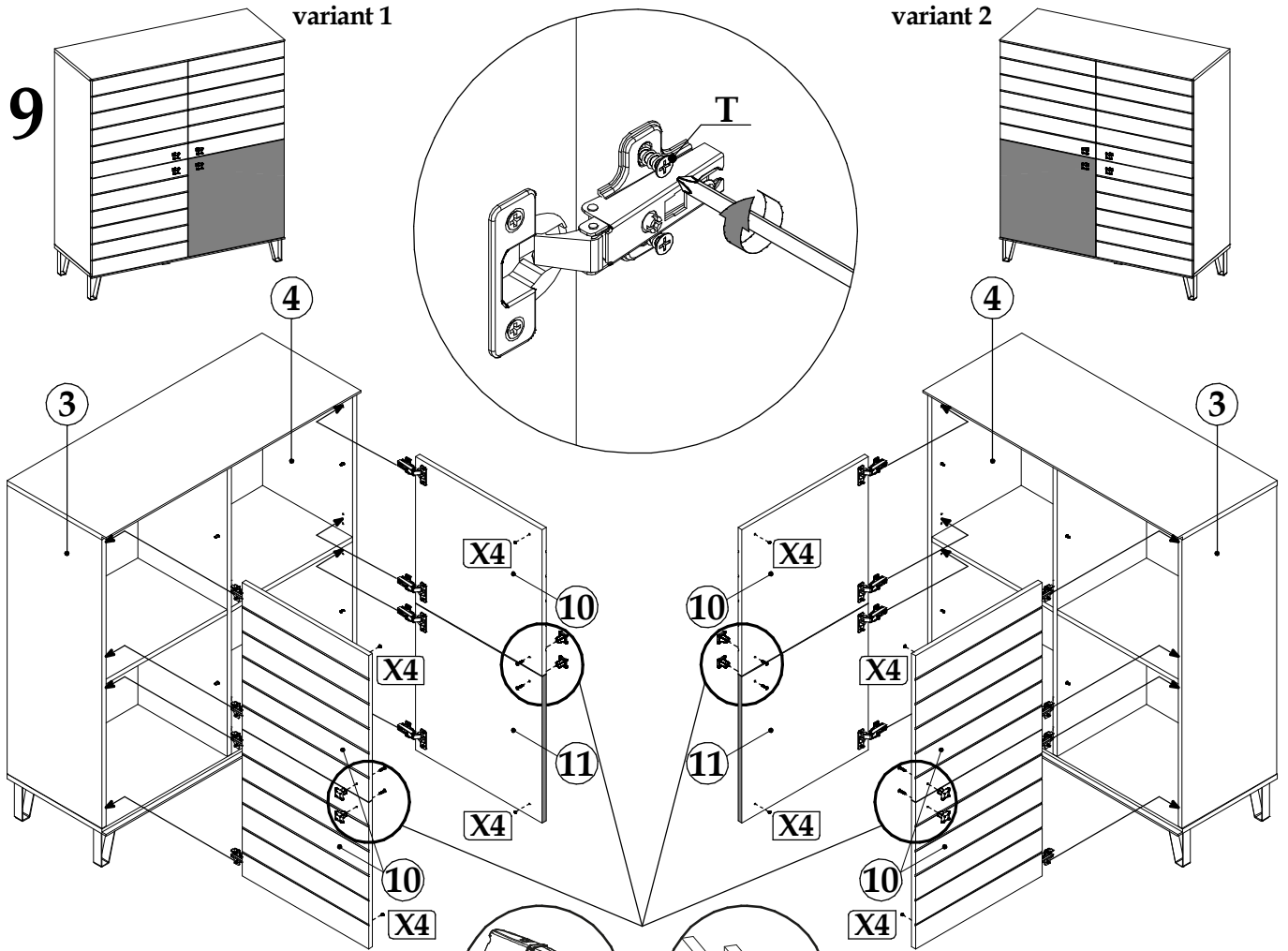
8



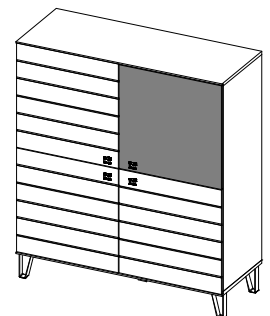
9

variant 1

variant 2

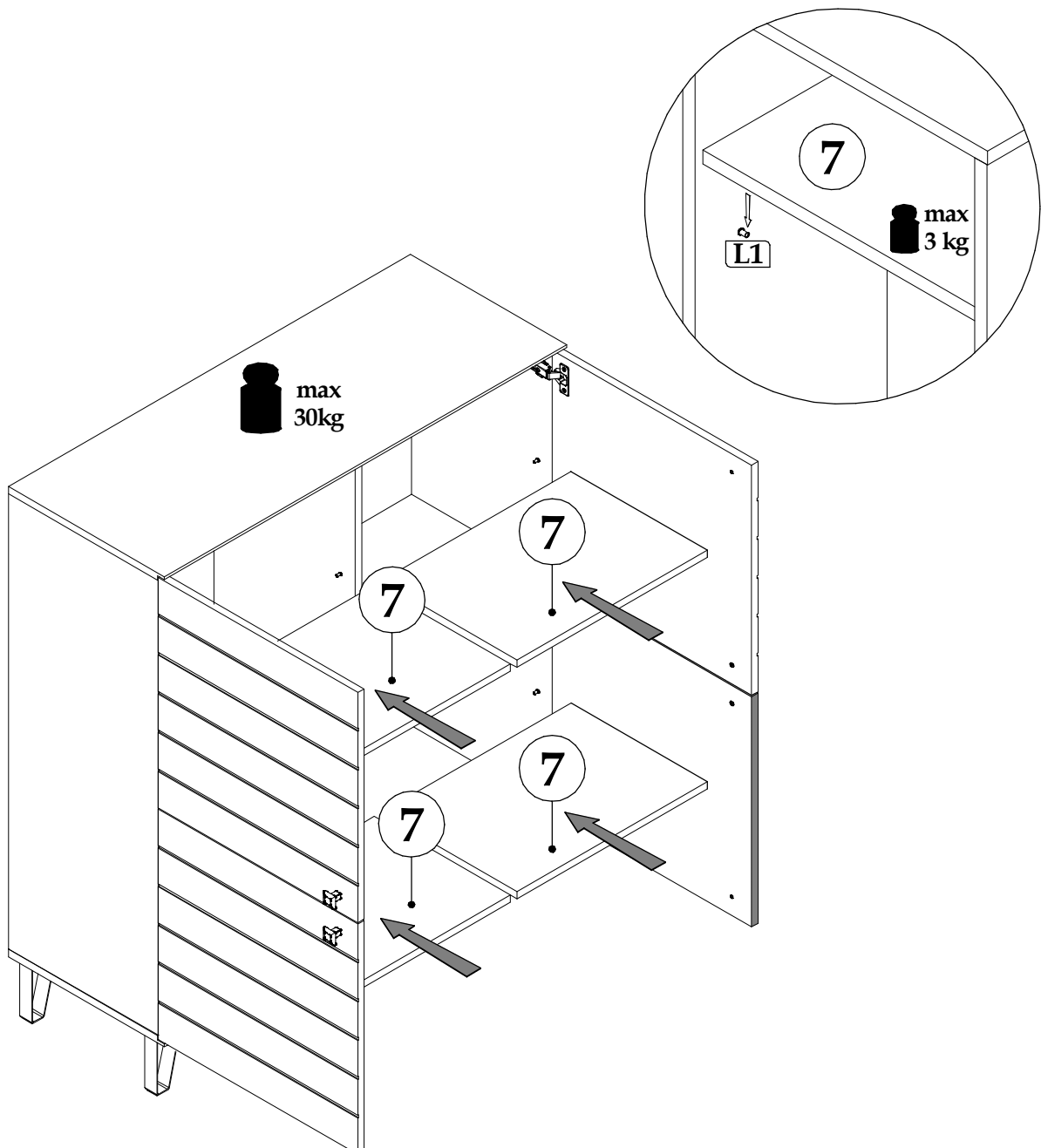
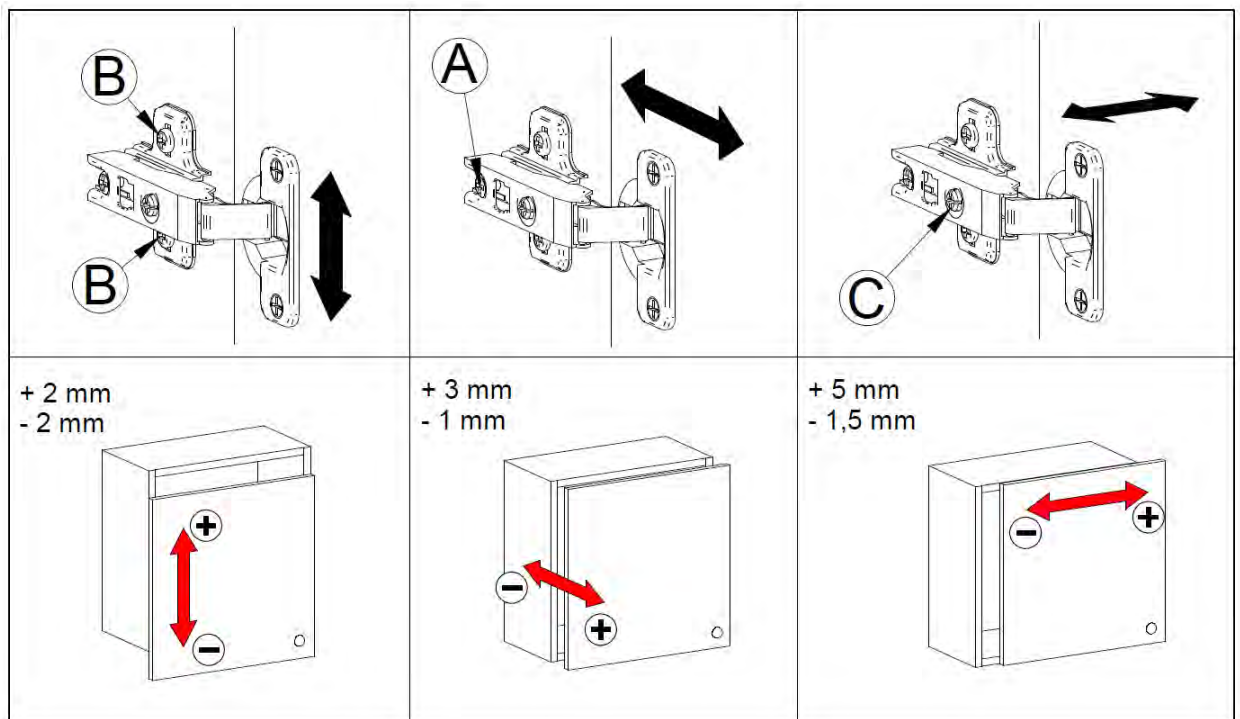


variant 3



variant 4

▶ 10



▶ 11

