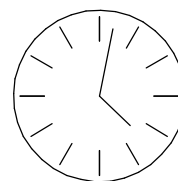
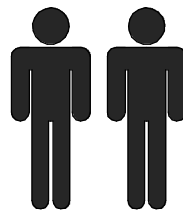
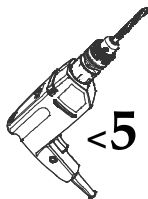
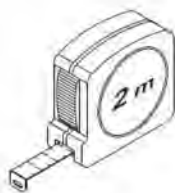
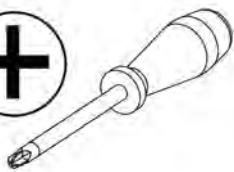
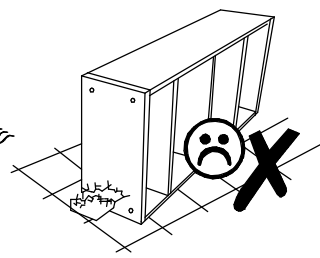
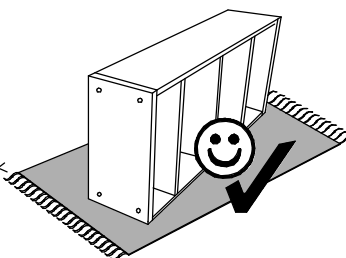
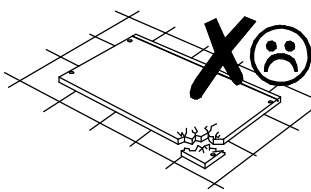
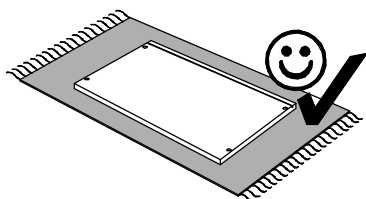
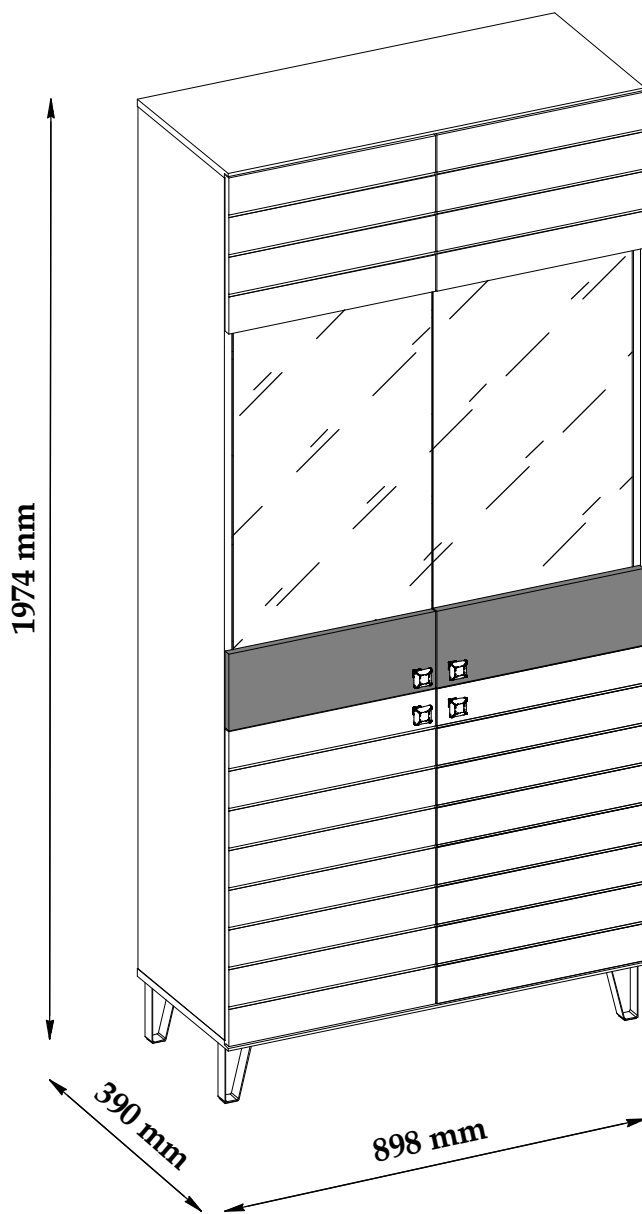
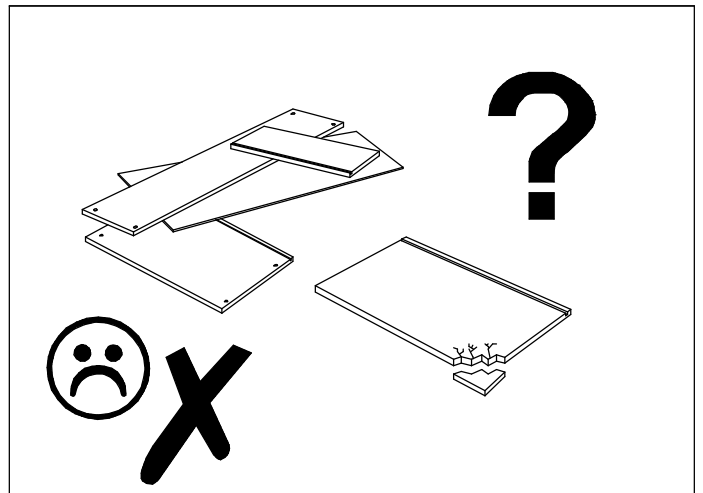
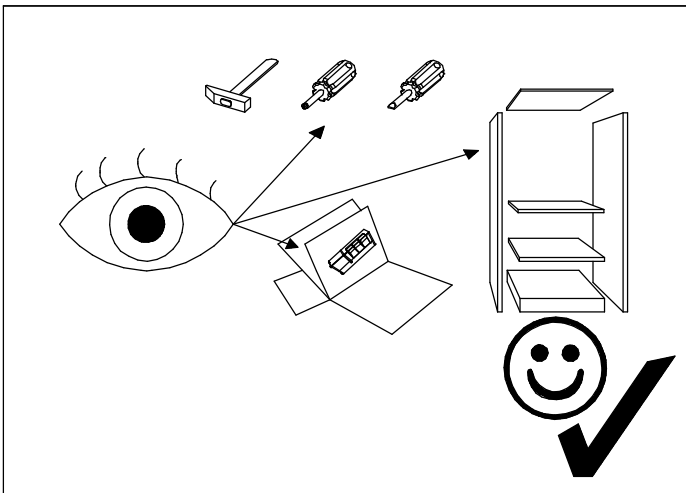
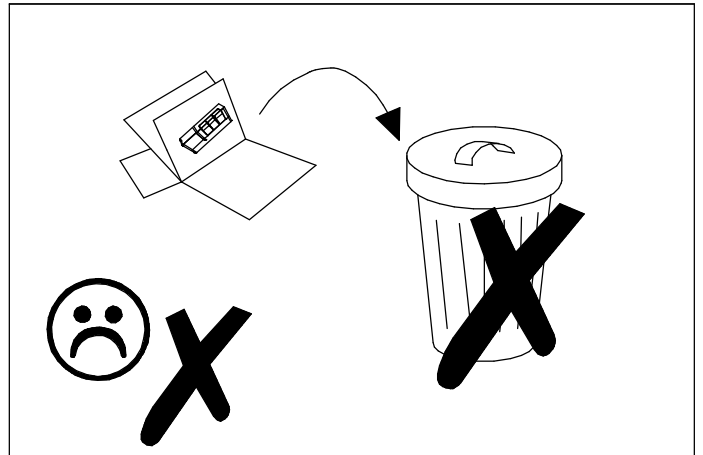
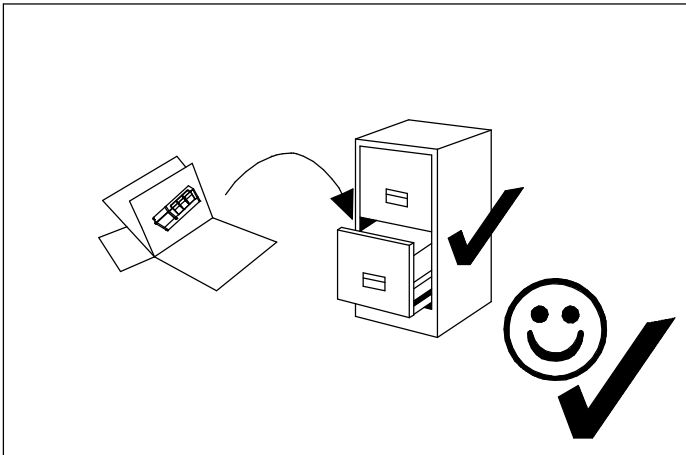
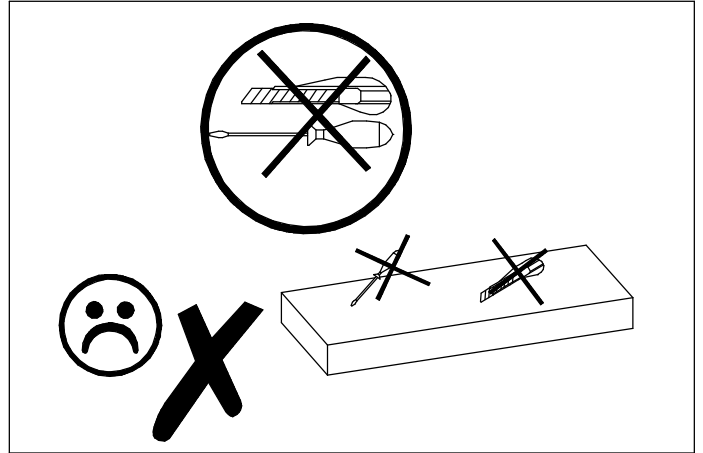
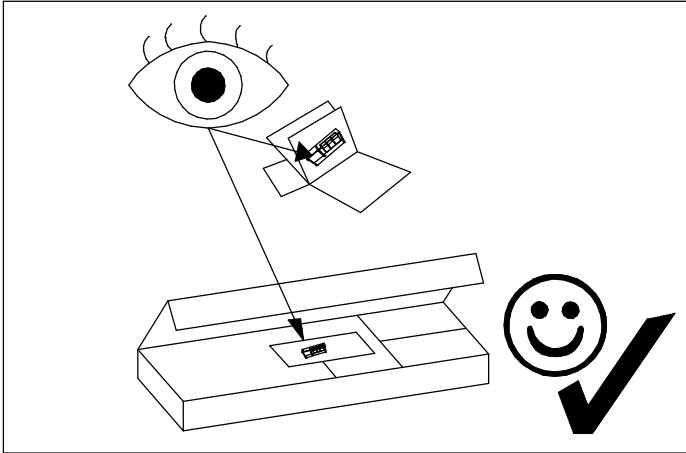


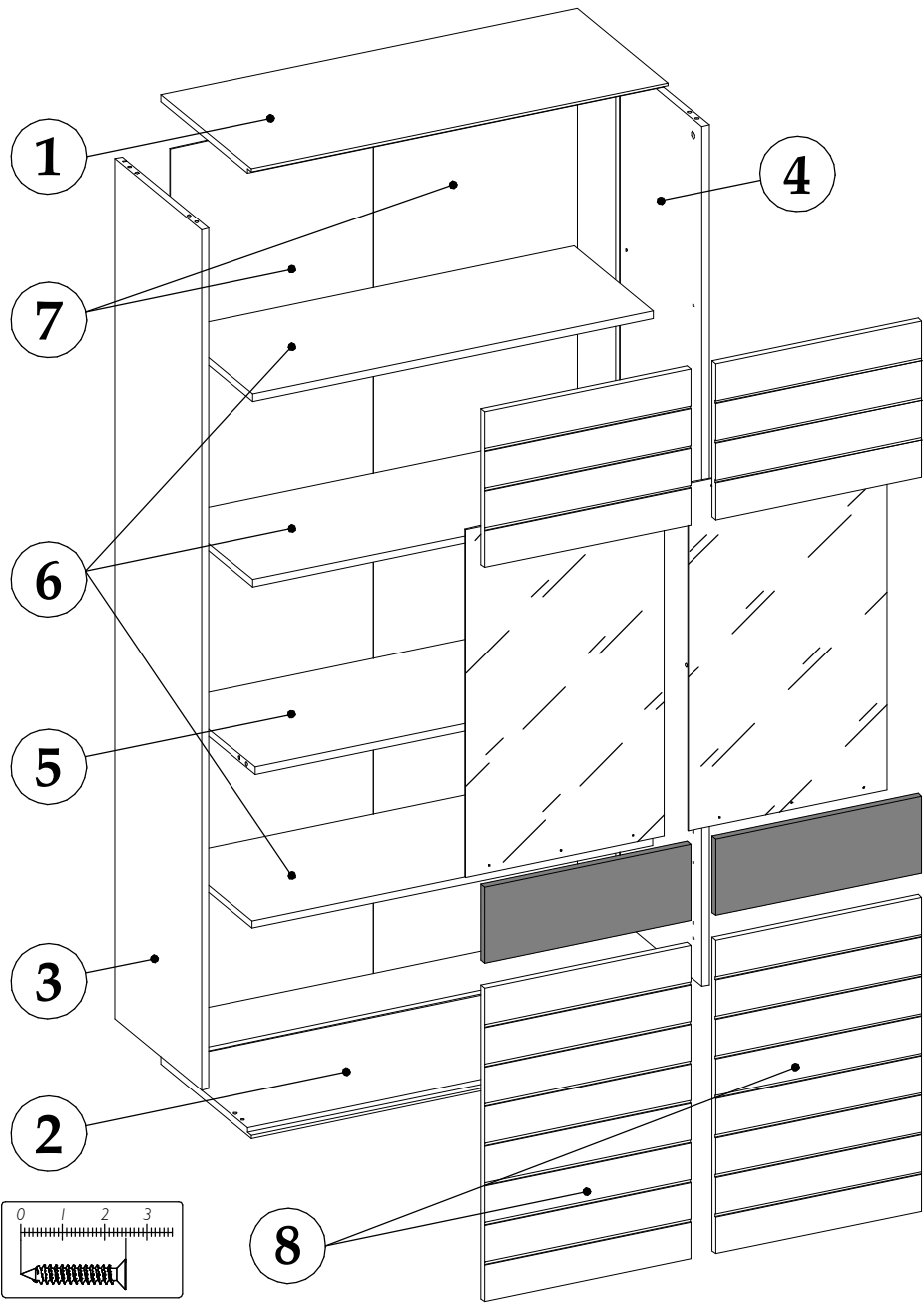
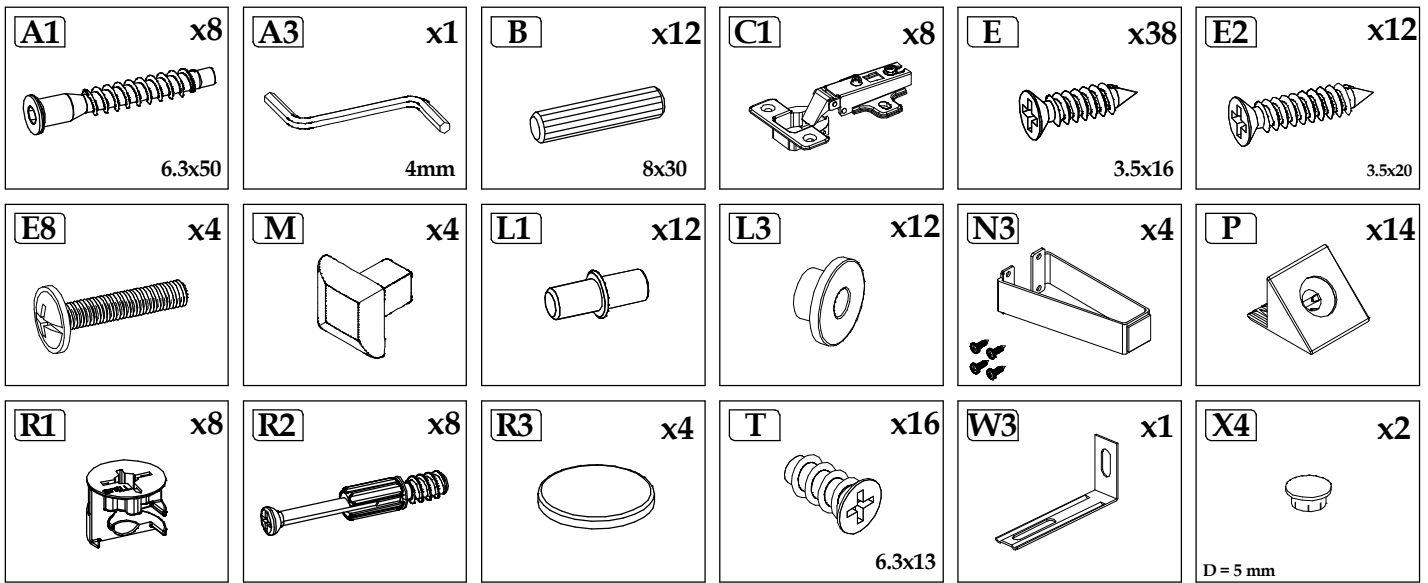
WEIL L2



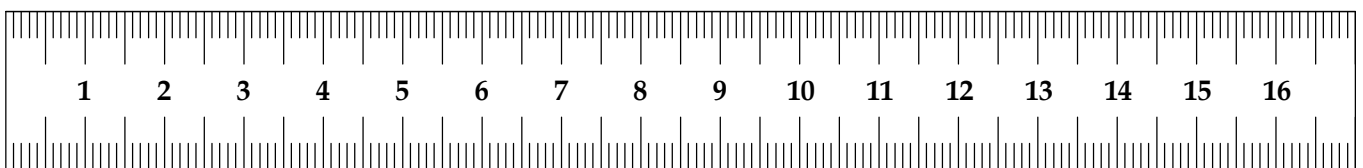
100 min

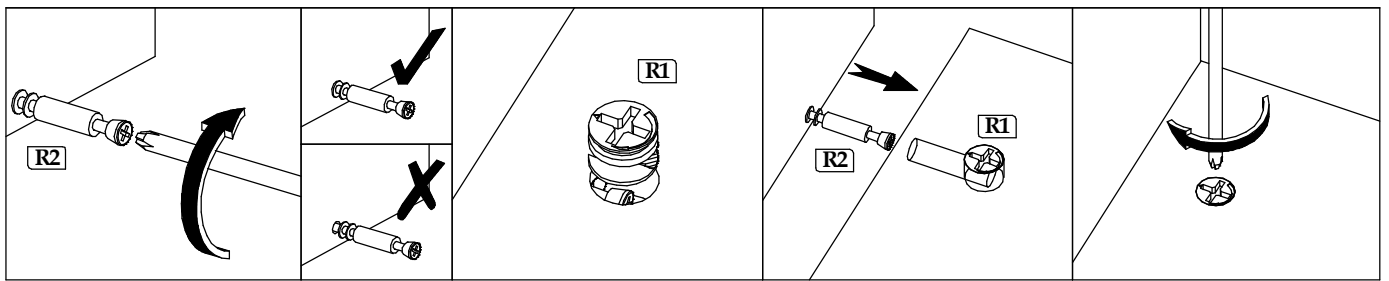




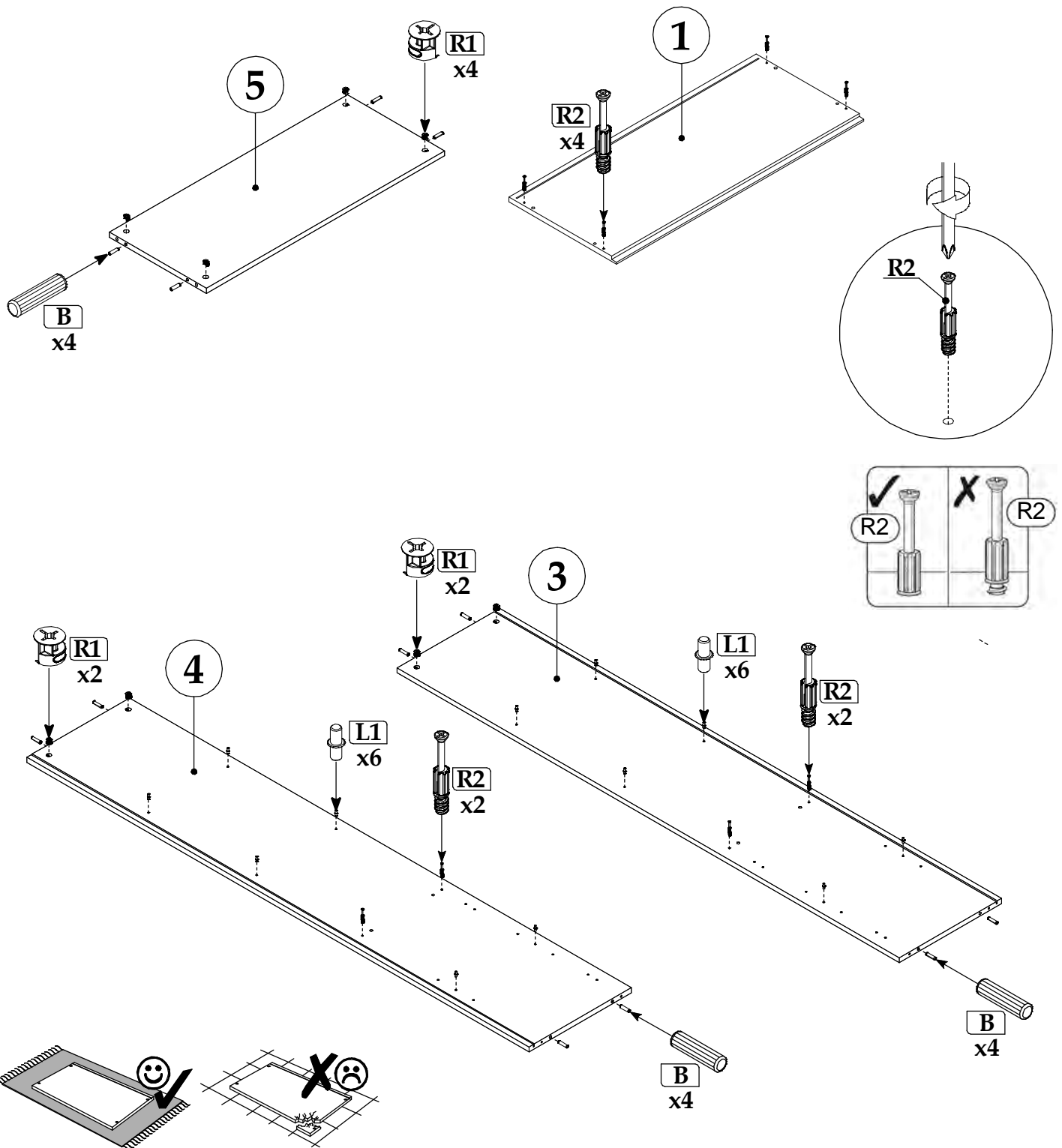


Element symbol	Measurements				Code	Paket
	1	2	3	4		
1	898	390	16	1	1002	1/ 2
2	898	390	16	1	2001	1/ 2
3	1822	372.5	16	1	1004	1/ 2
4	1822	372.5	16	1	1005	1/ 2
5	864	352.5	16	1	1006	1/ 2
6	864	340	16	3		1/ 2
7	18361	441	3	2		1/ 2
8	667	447	16	2	3024	2/ 2
		447	331	16	1	2
		447	331	16	1	2
		447	166	16	1	2
		447	166	16	1	2
		735	428	4	2	2

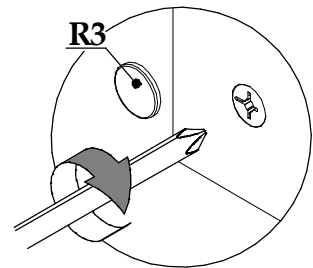
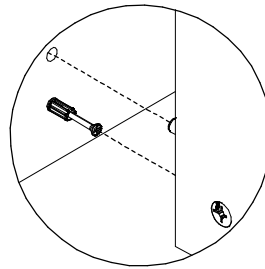
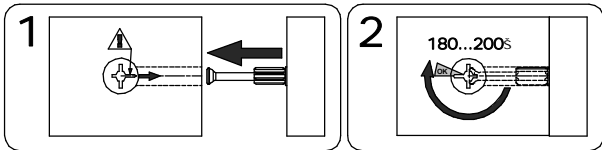
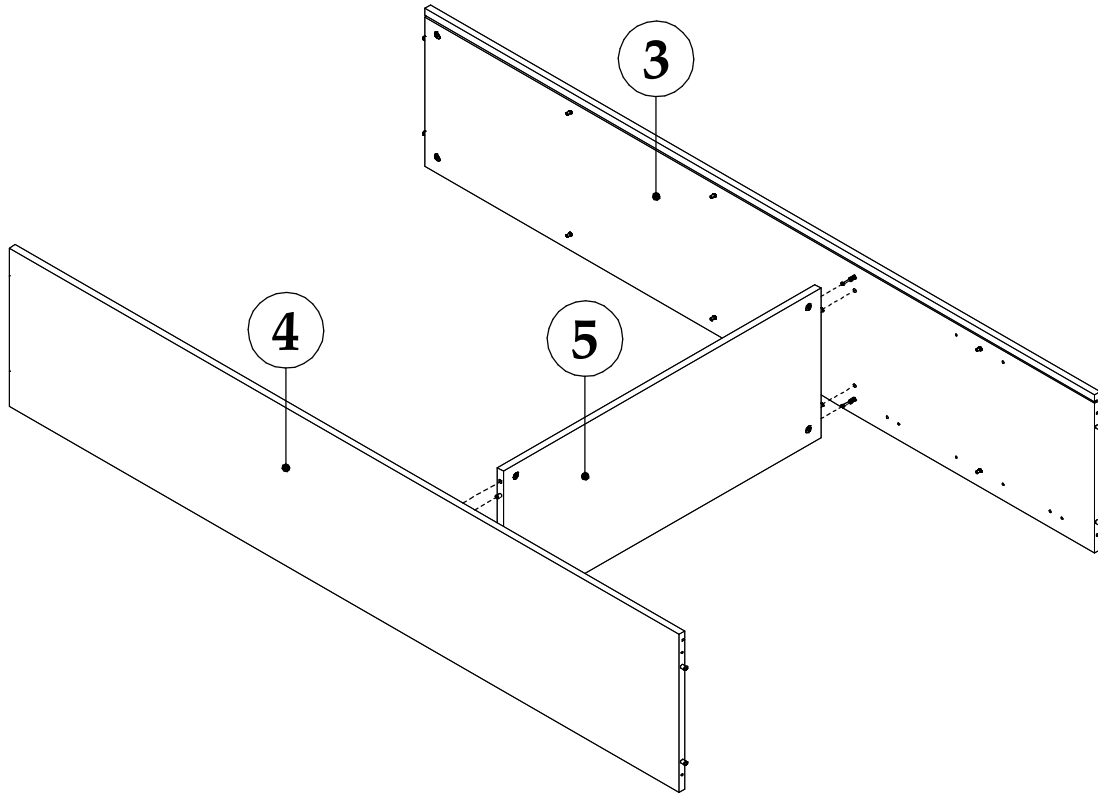




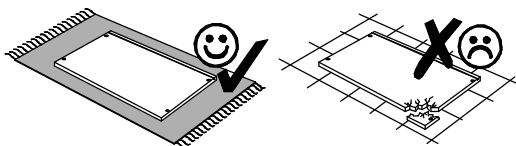
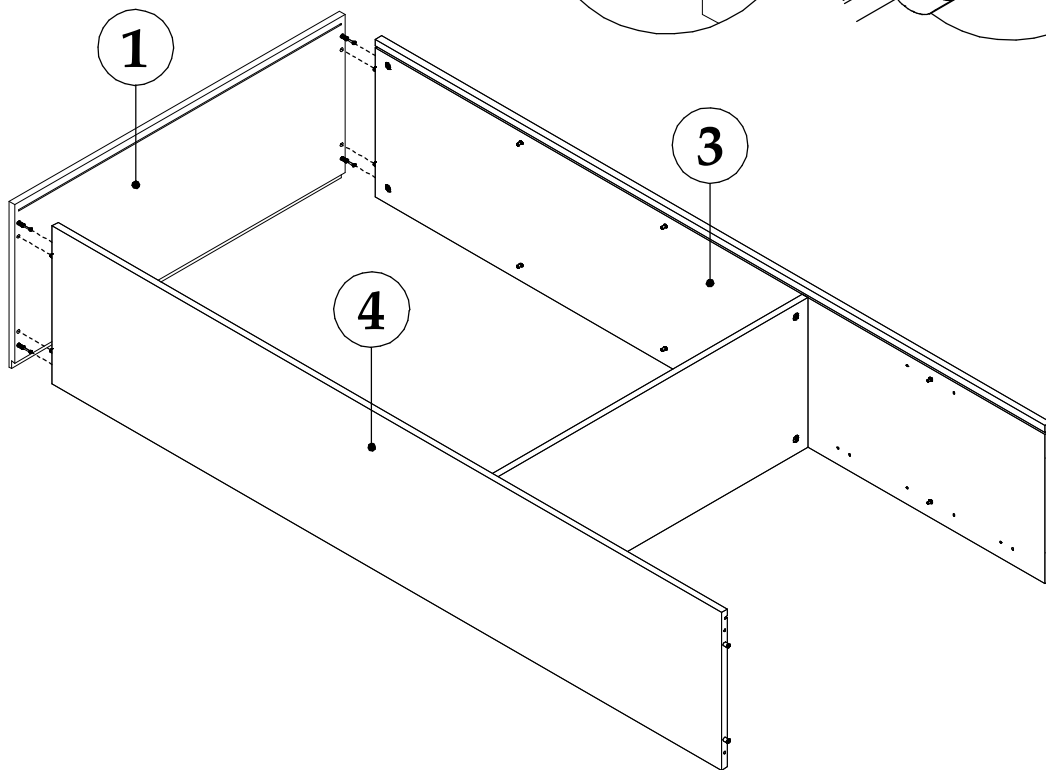
► 1



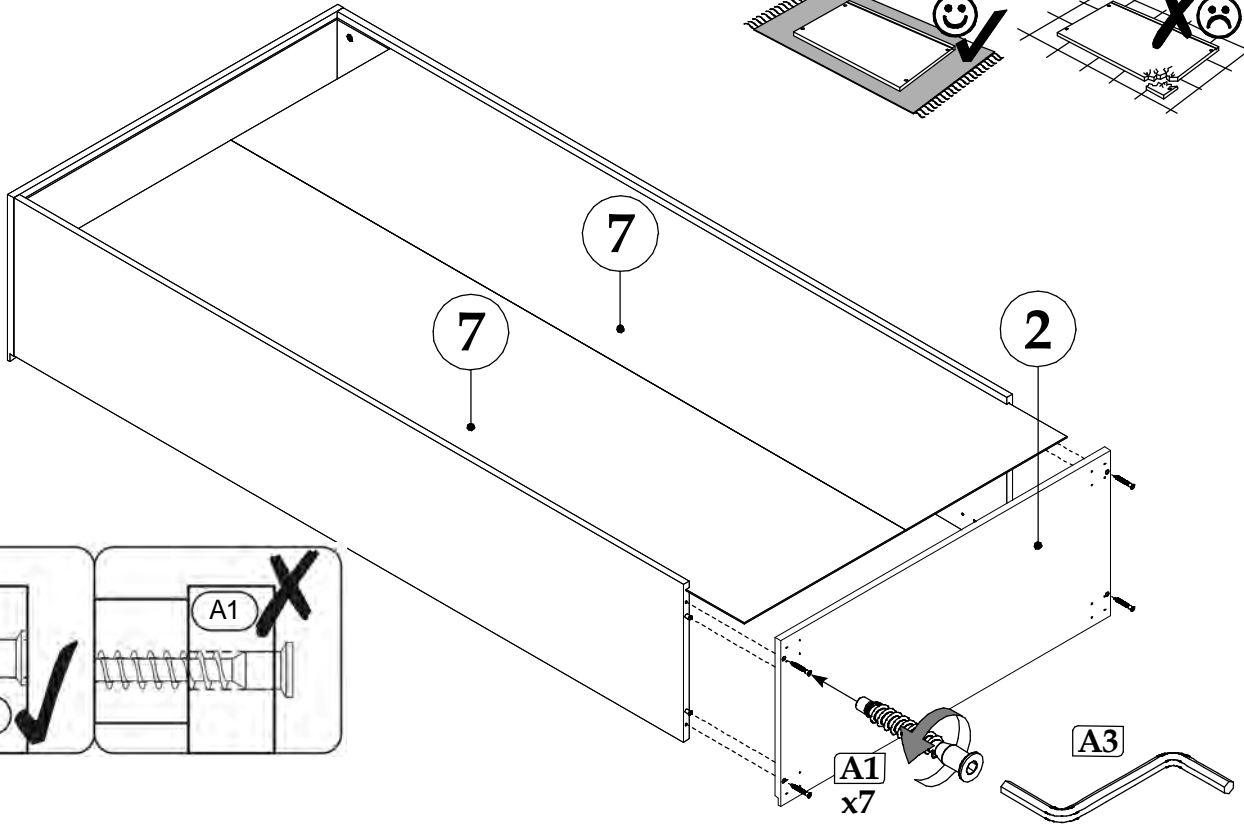
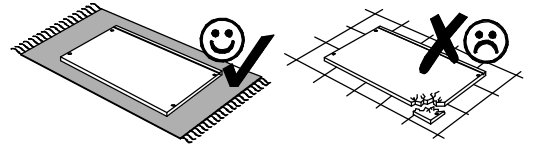
▶ 2



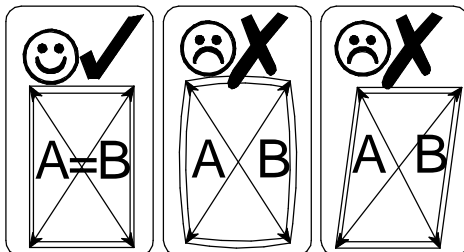
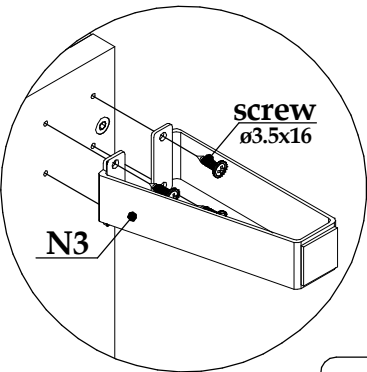
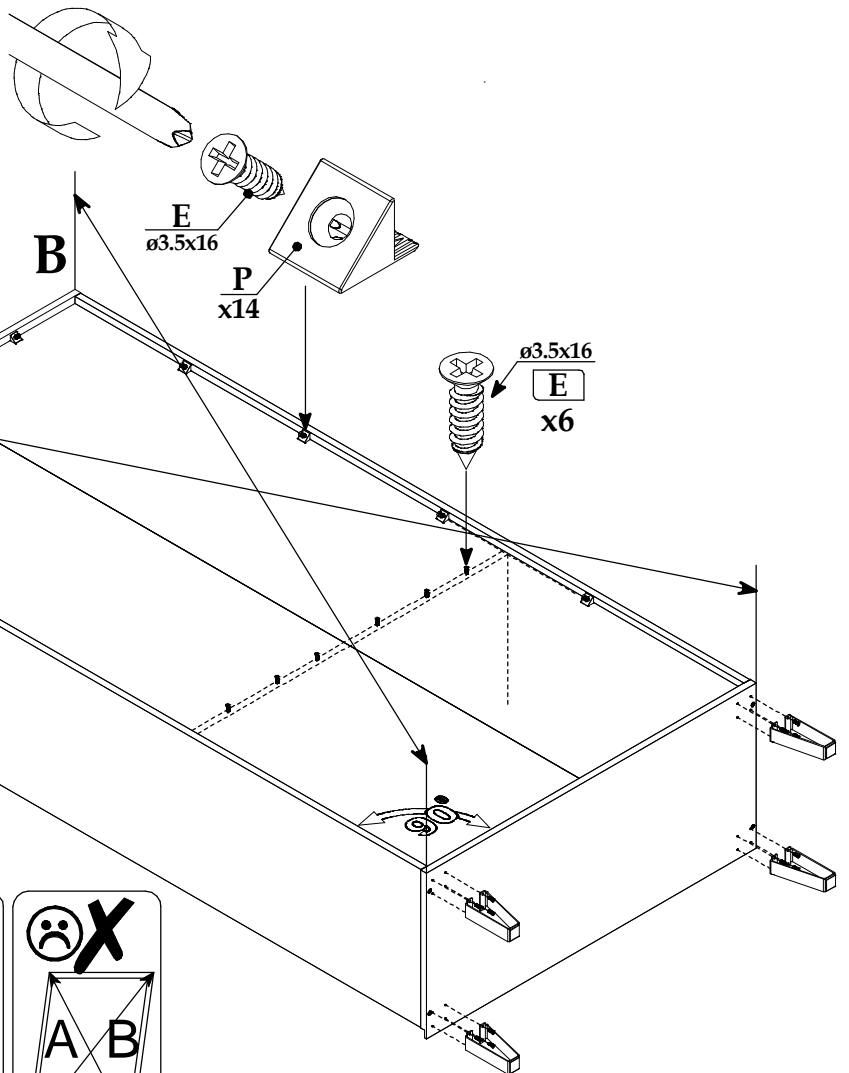
▶ 3



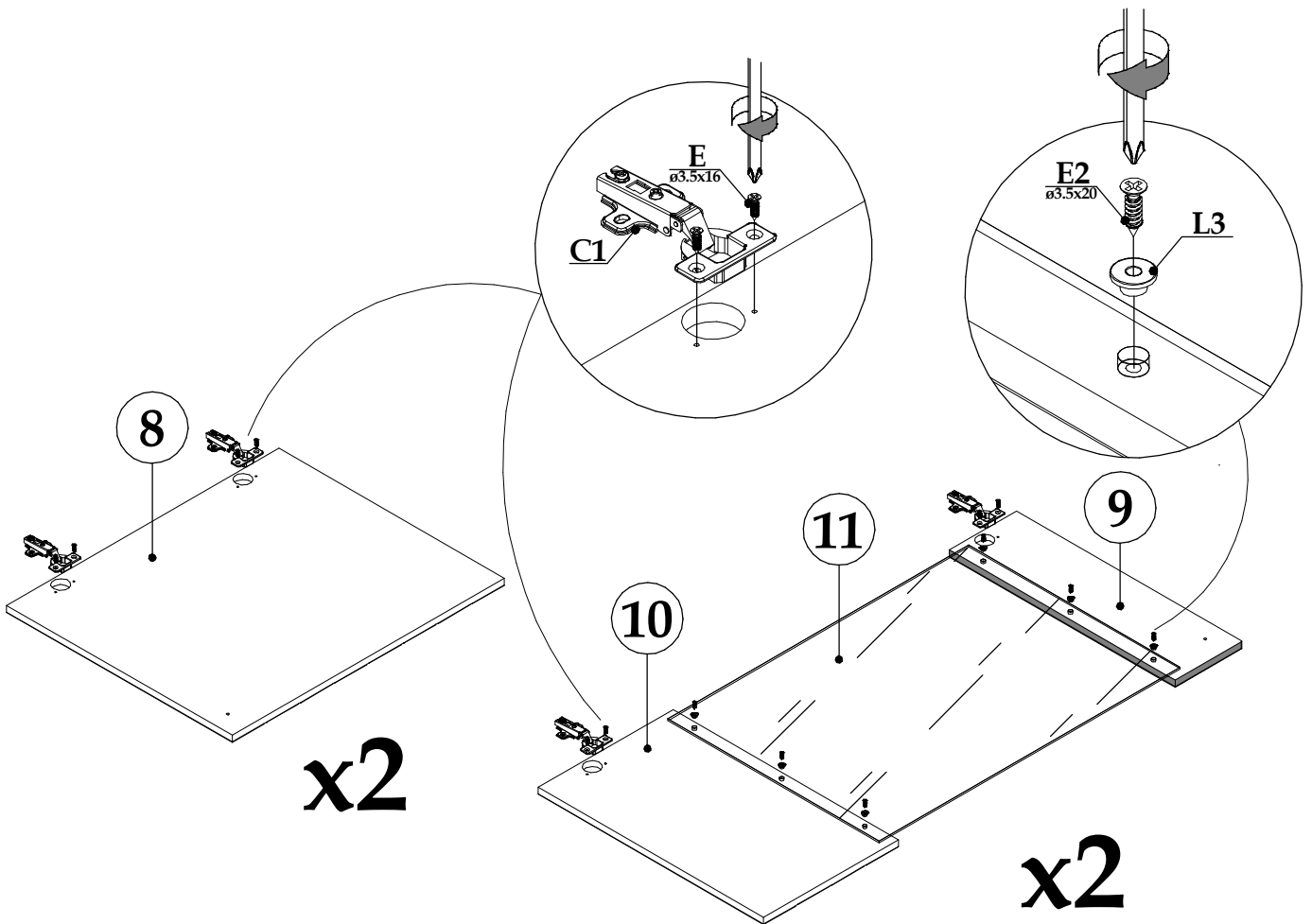
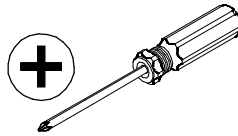
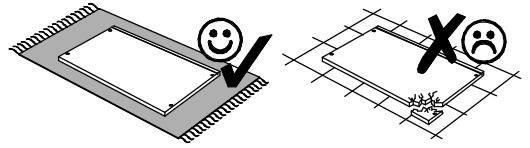
▶ 4

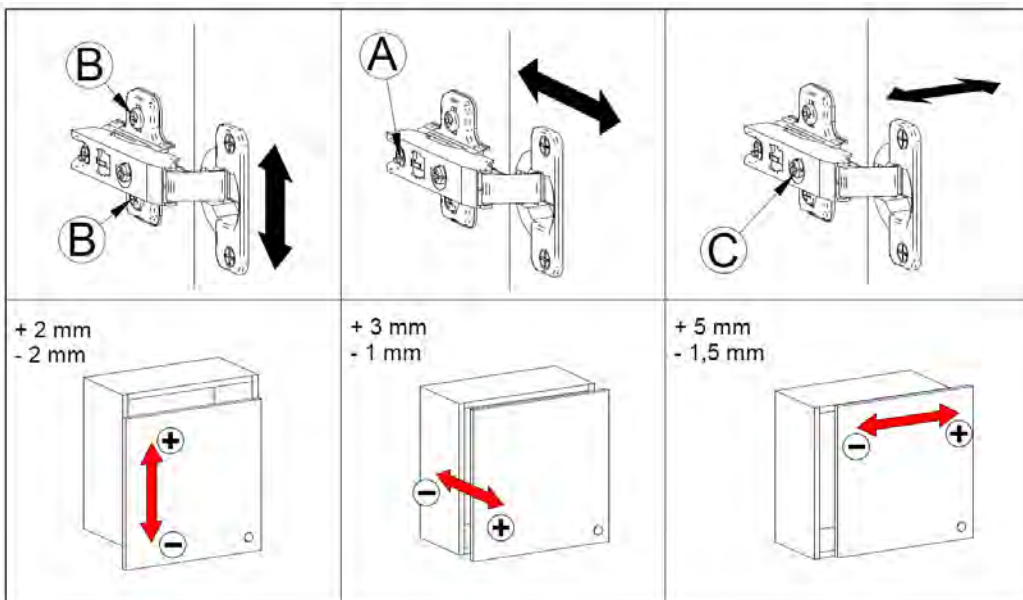
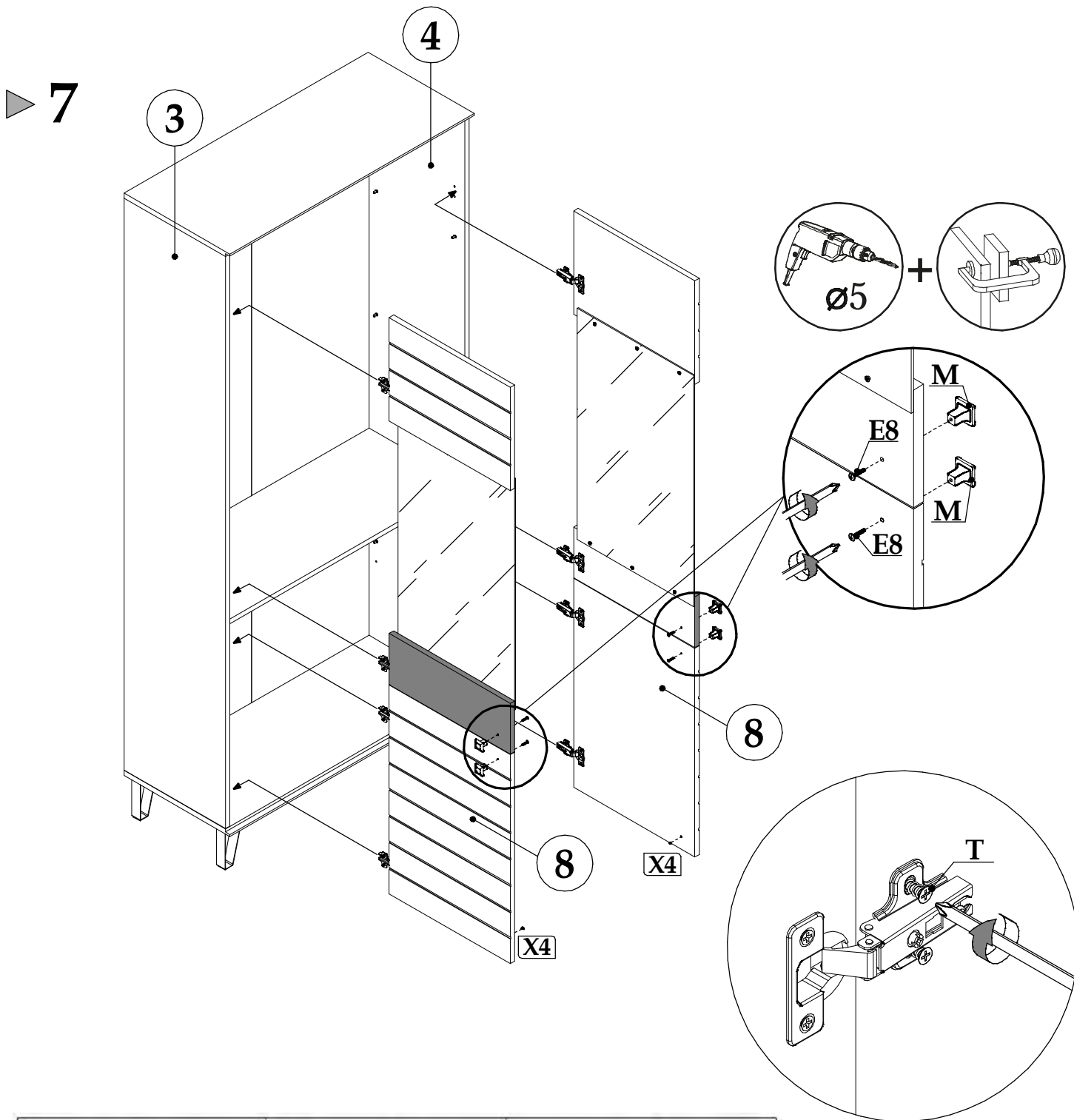


▶ 5



▶ 6





8

max
20kg

