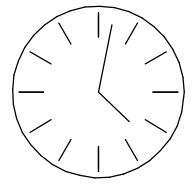
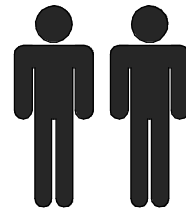
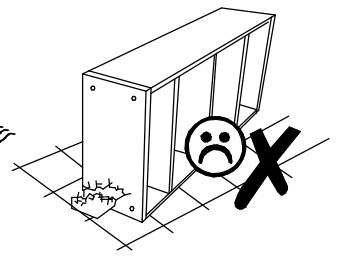
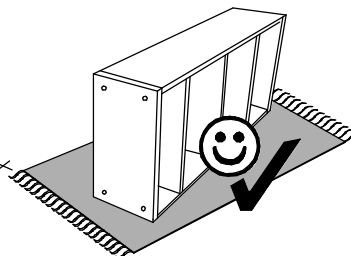
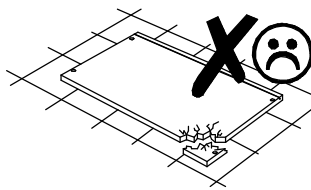
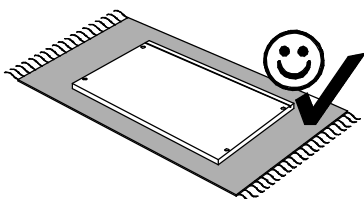
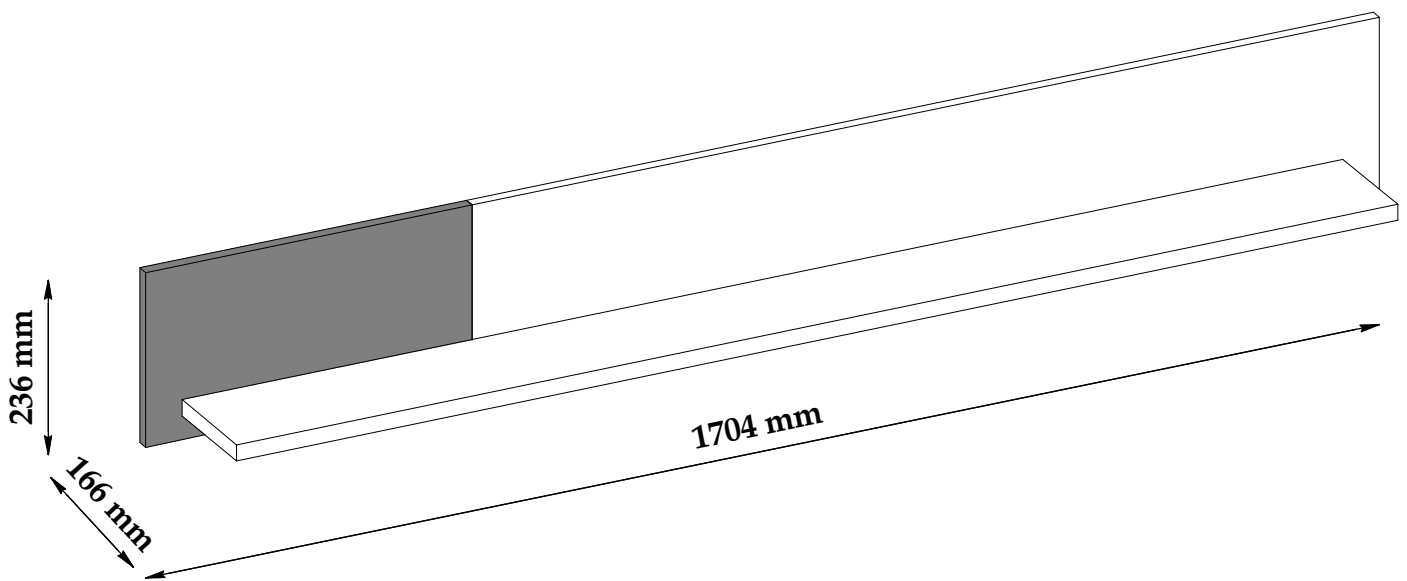
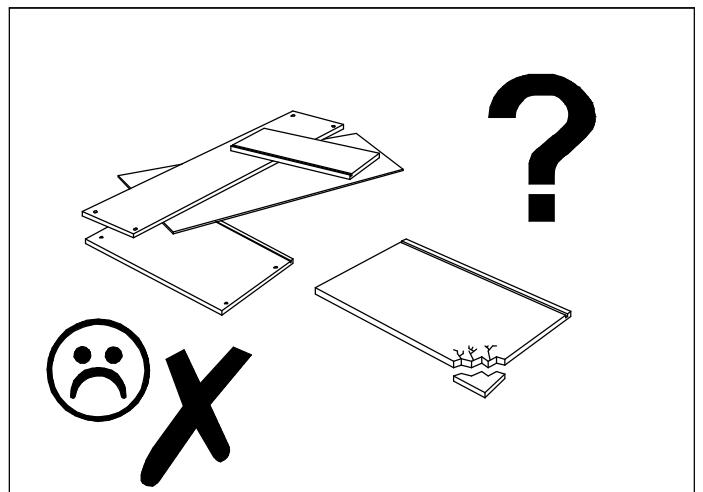
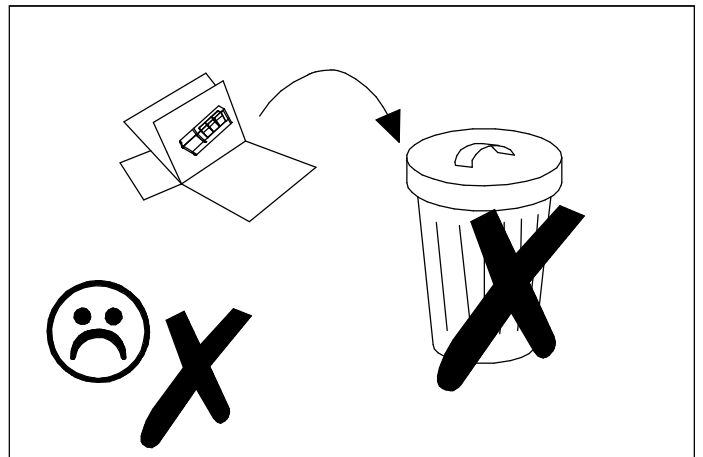
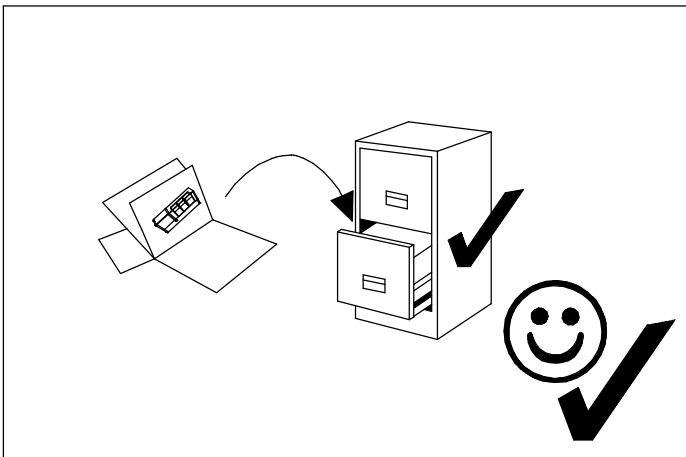
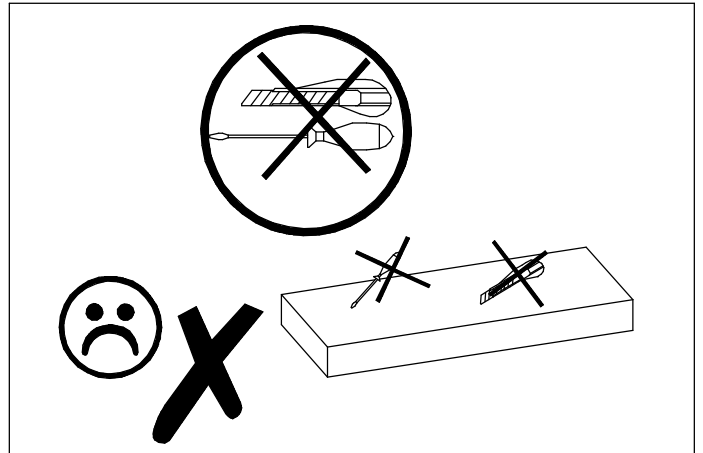


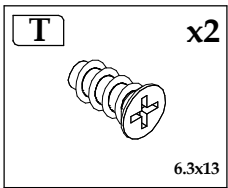
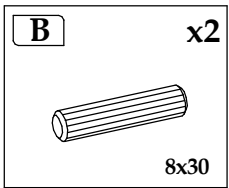
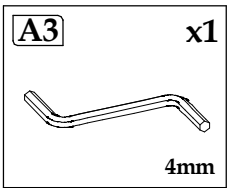
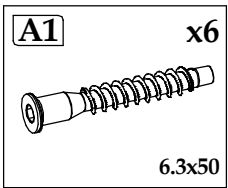
WEIL U



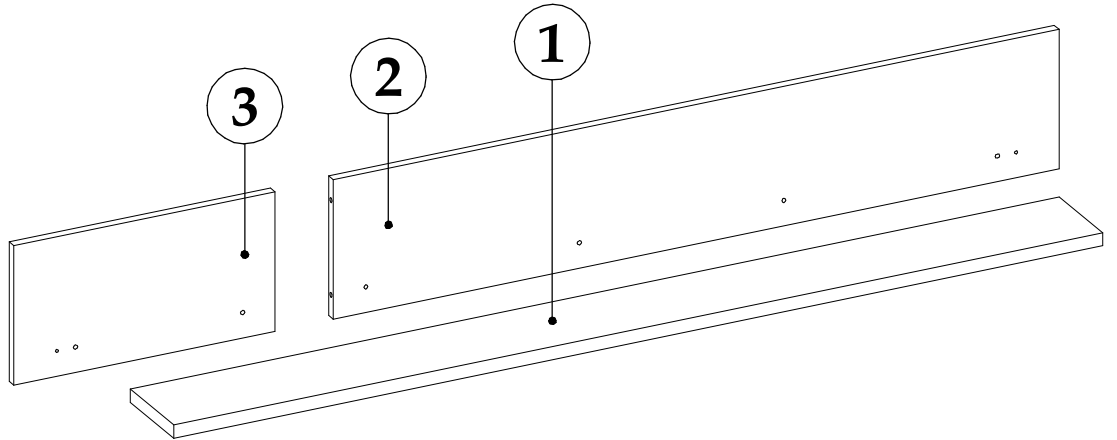
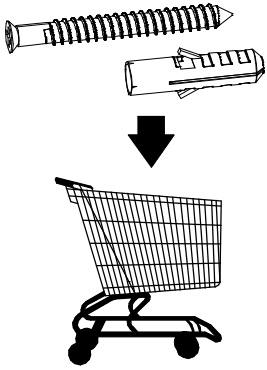
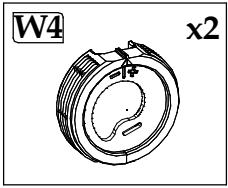
20 min



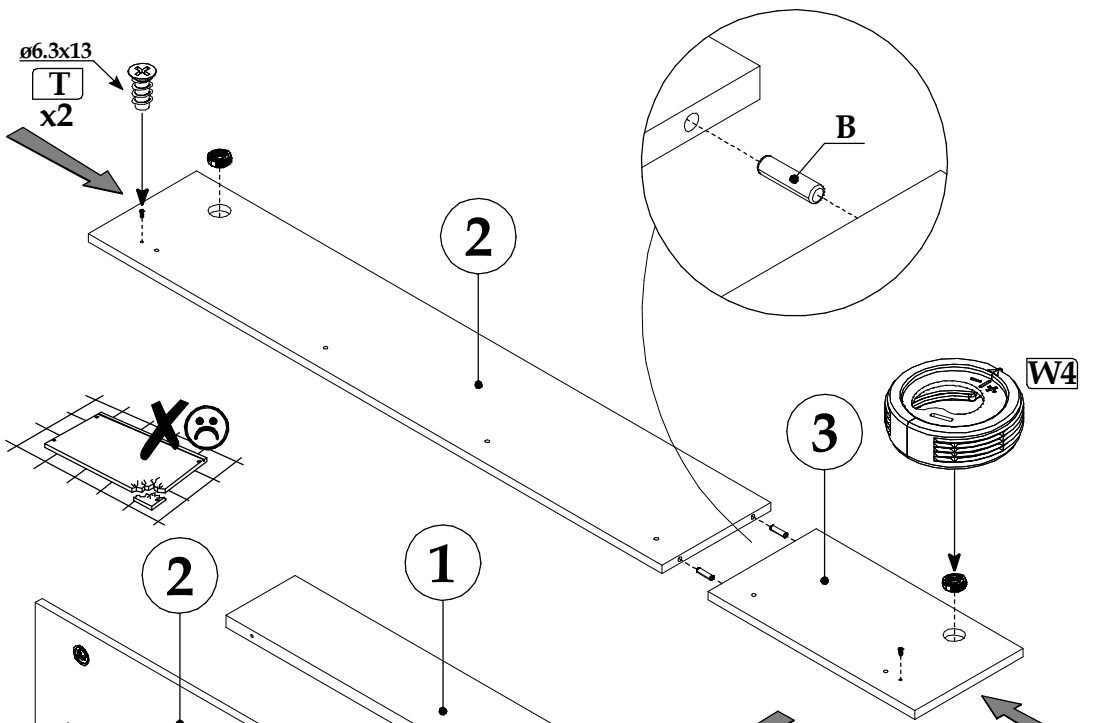




Element symbol	Measurements				Code	Paket
1	1600	150	16	1	1014	1/1
2	1252	238	16	1	3012	1/1
3	452	238	16	1	3013	1/1



▶ **1**



▶ **2**

