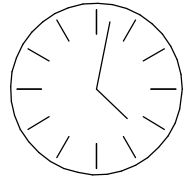
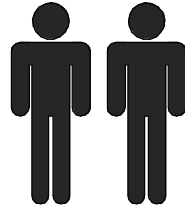
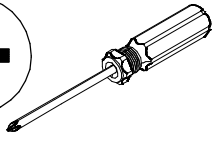
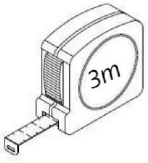
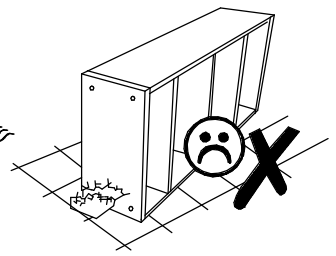
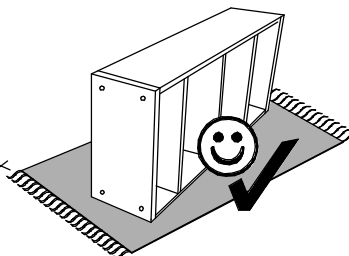
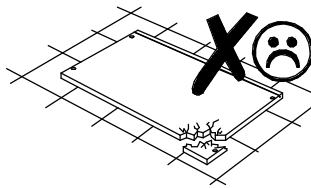
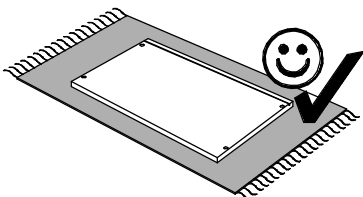
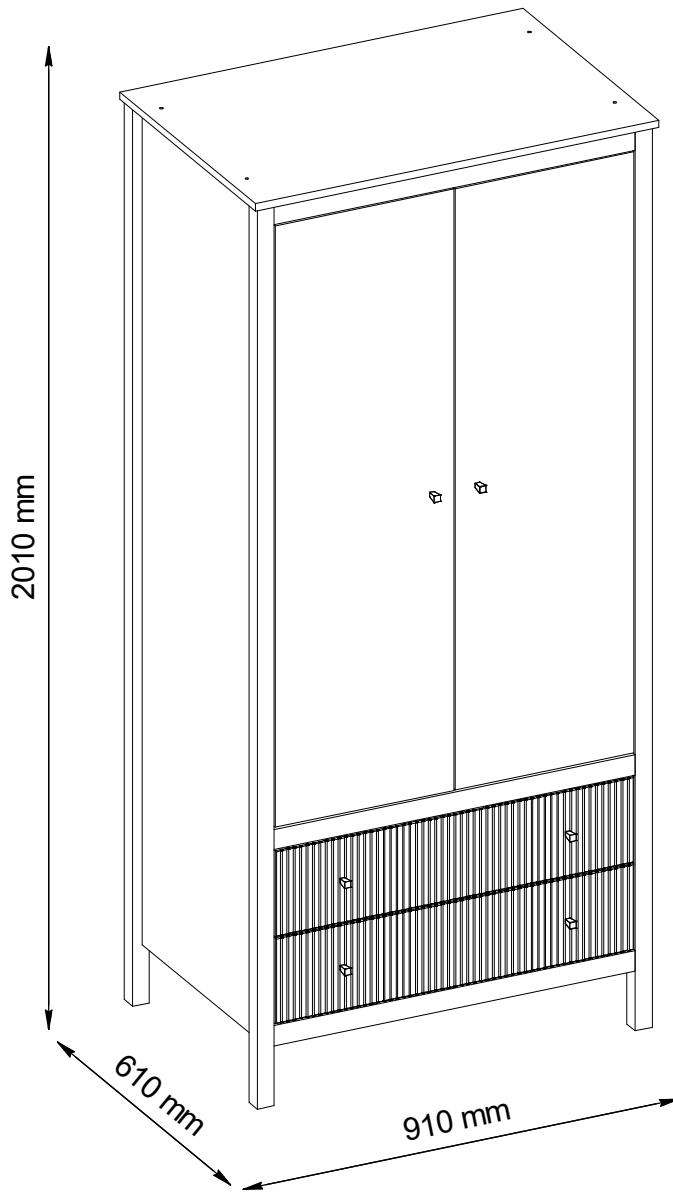
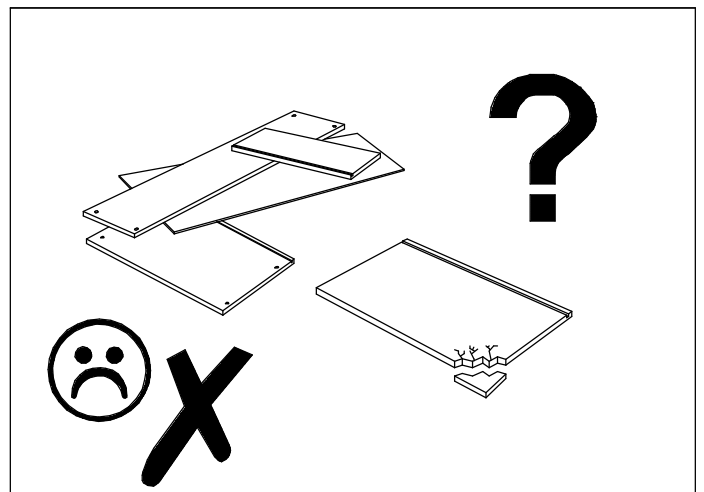
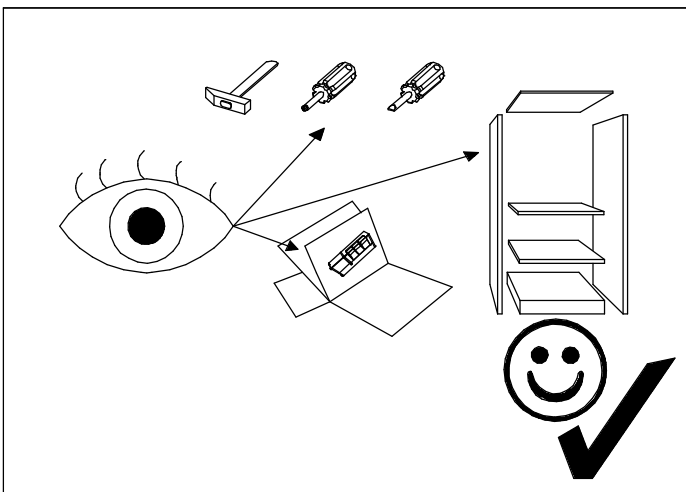
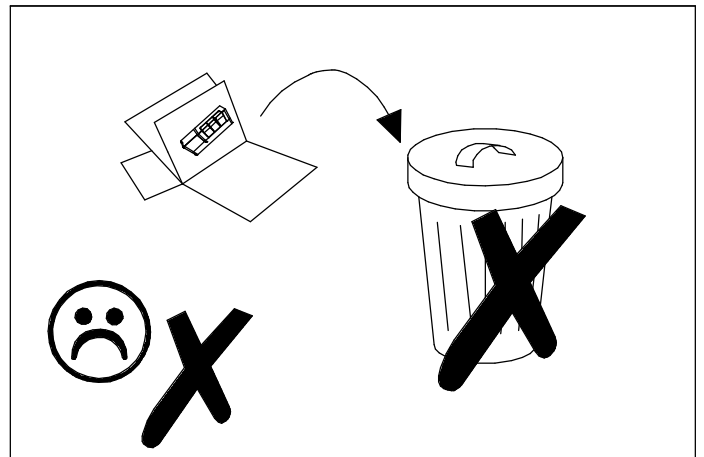
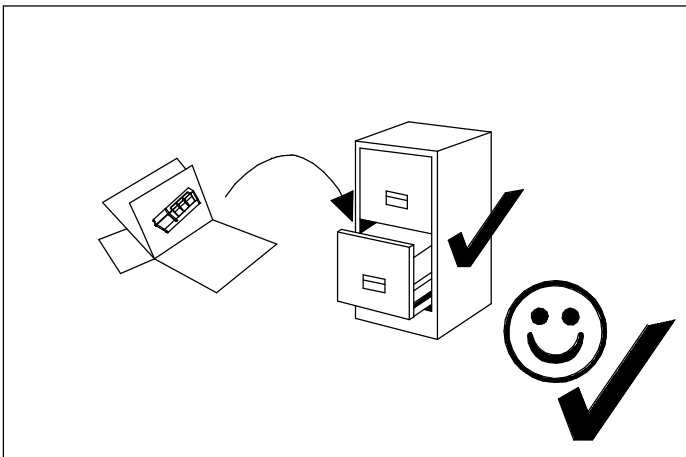
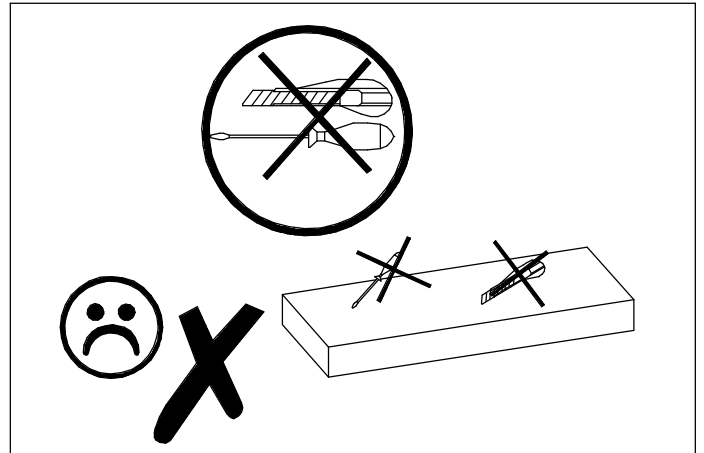
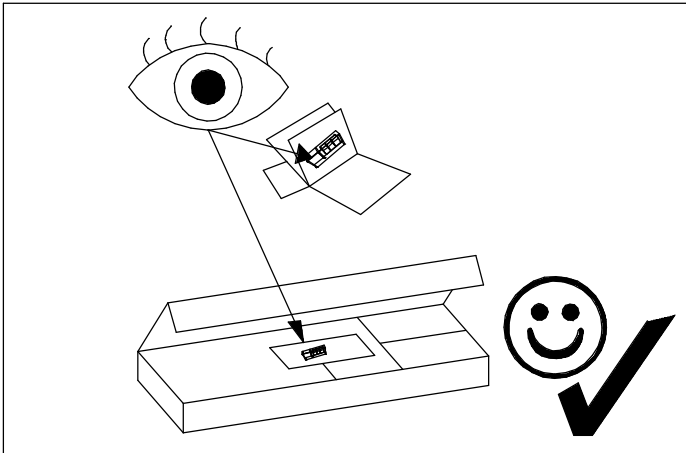


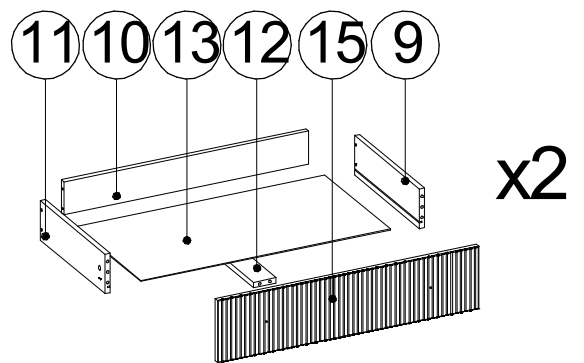
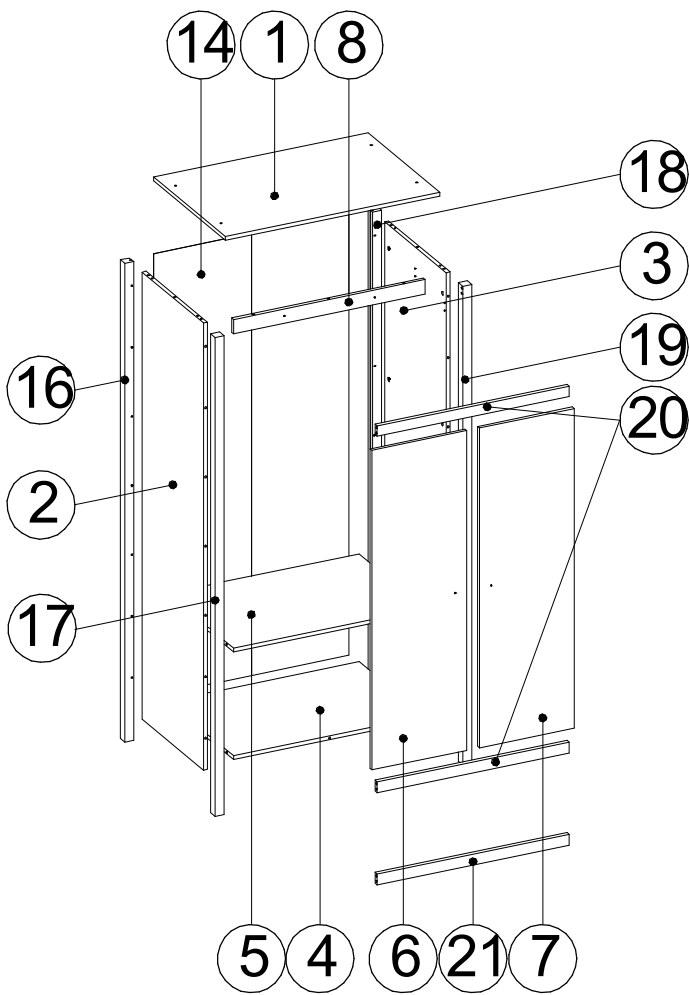
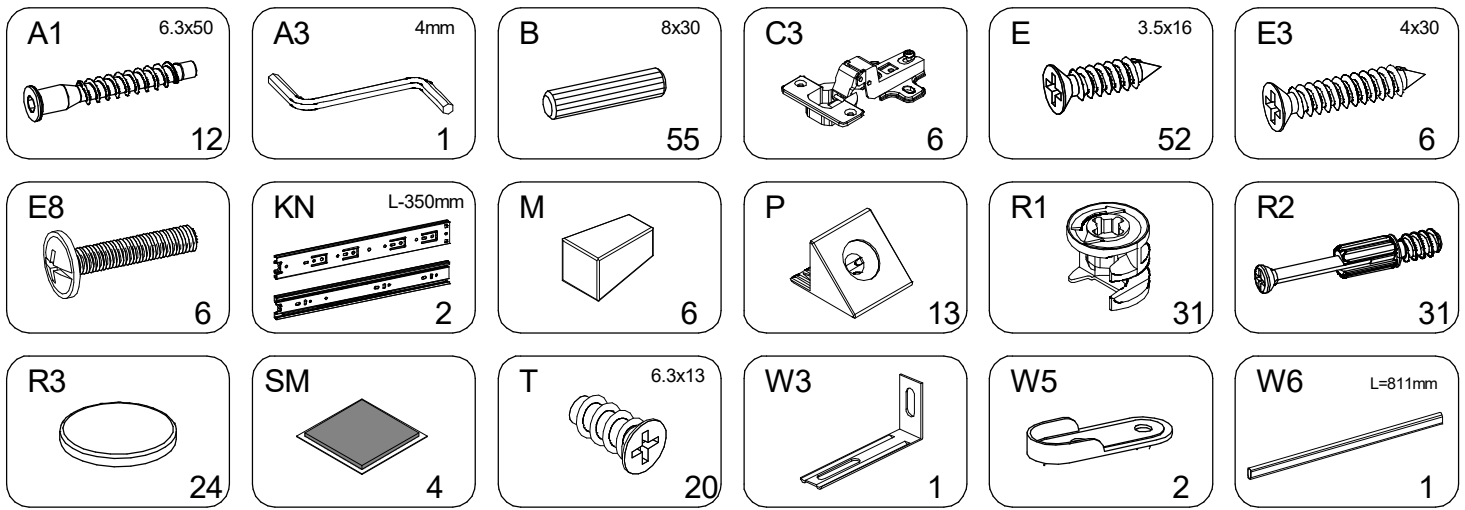
KLEO F



90 min





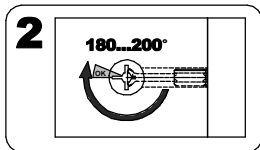
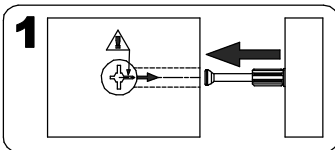
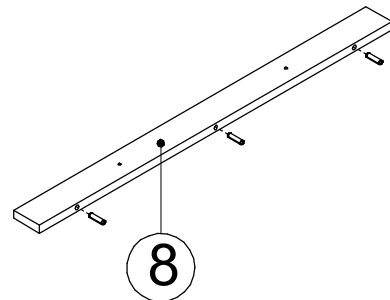
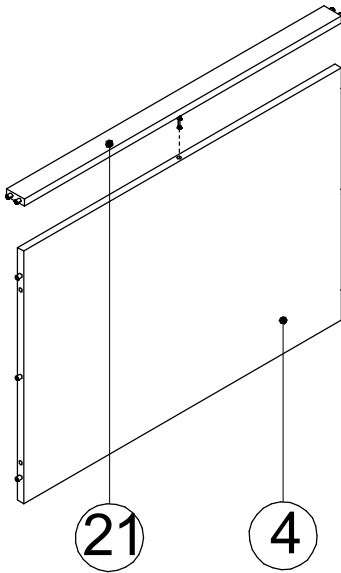
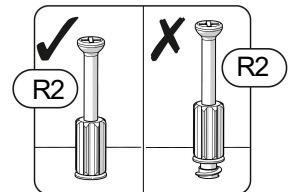
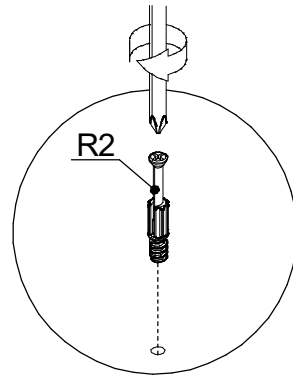
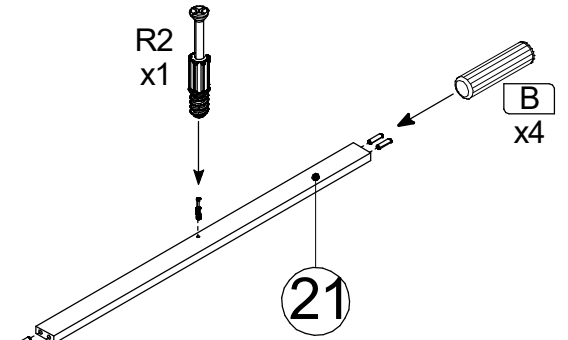
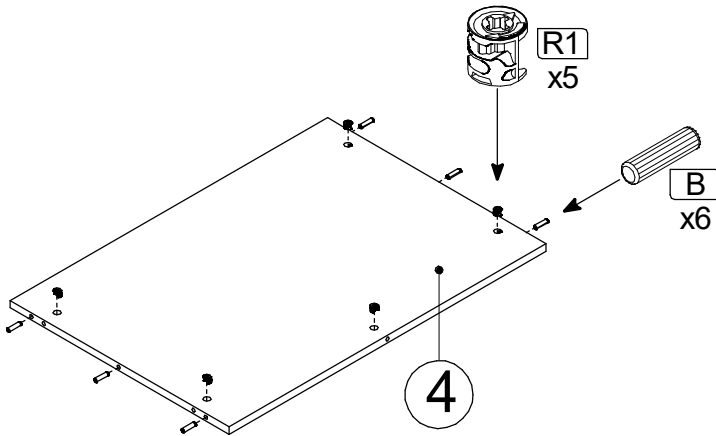
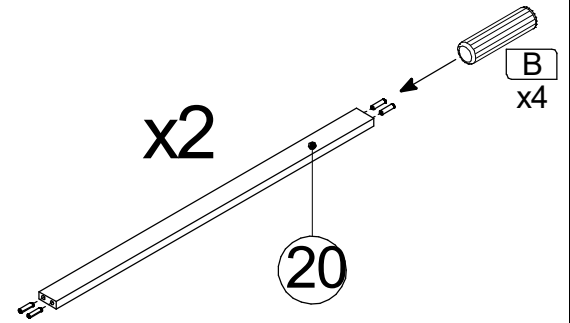
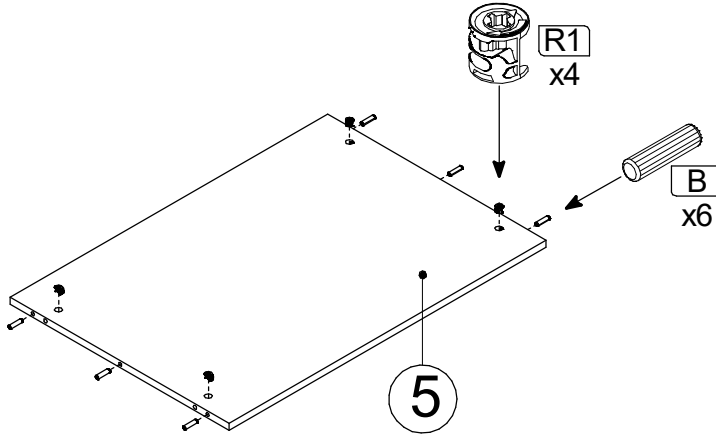
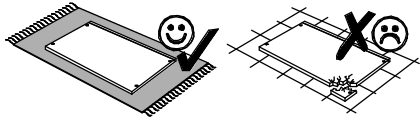


Element symbol	Measurements				Code	Paket
1	910	610	16	1	1001	1/2
2	1862	523	16	1	1003	2/2
3	1862	523	16	1	1016	2/2
4	814	561	16	1	1005	1/2
5	814	561	16	1	1007	1/2
6	1331	403	16	1	1014	2/2
7	1331	403	16	1	1013	2/2

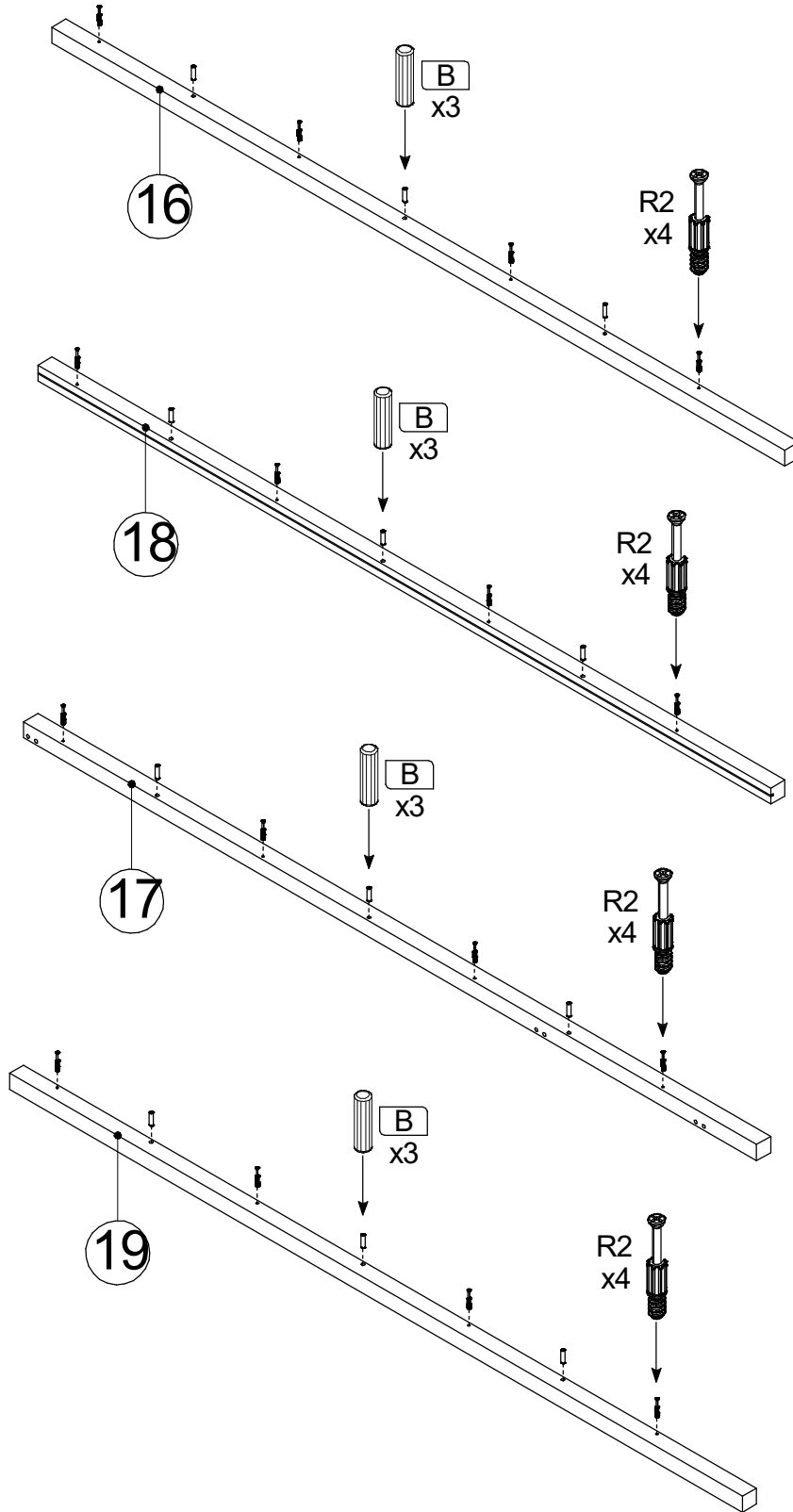
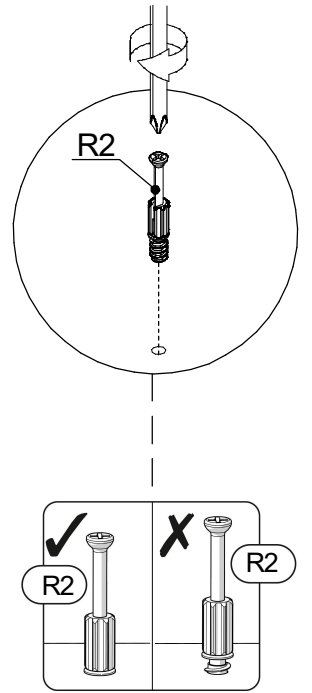
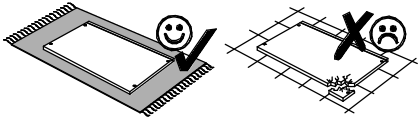
8	814	60	16	1	1027	1/2
9	400	120	16	2	1009	2/2
10	756.5	100	16	2	1010	1/2
11	400	120	16	2	1011	2/2
12	400	70	16	2	1033	2/2
13	771.5	404.5	3	2		1/2
14	1841	828	3	1		1/2

15	808	192	16	2	3008	1/2
16	1994	38	38	1		2/2
17	1994	38	38	1		2/2
18	1994	38	38	1		2/2
19	1994	38	38	1		2/2
20	814	45	16	1		1/2
21	814	45	16	1		1/2

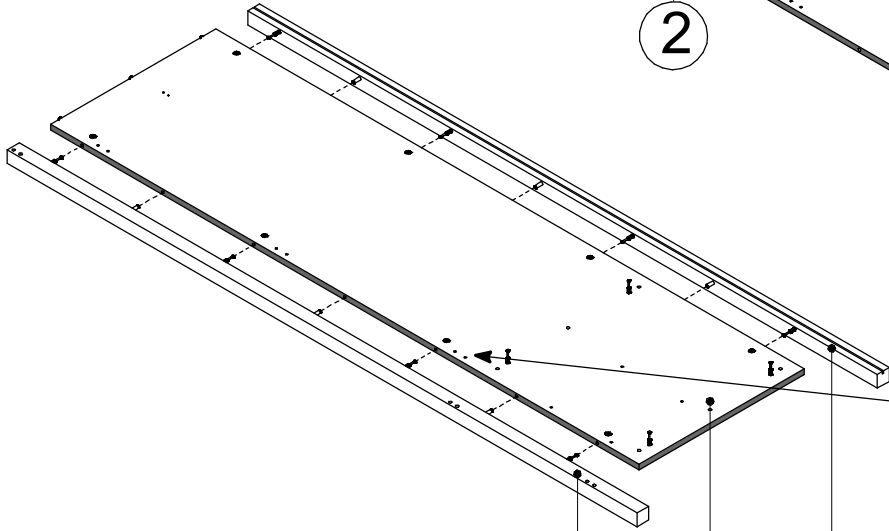
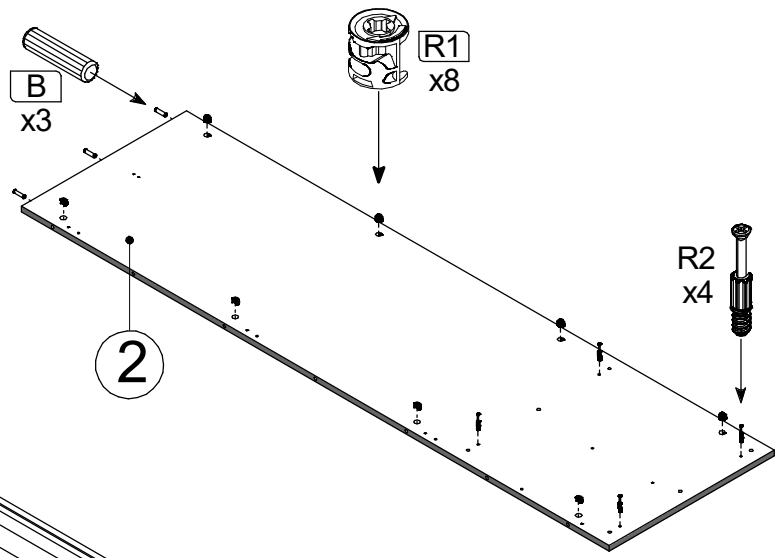
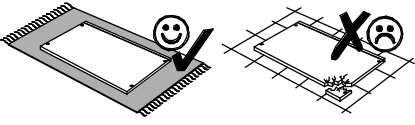
▶ 1



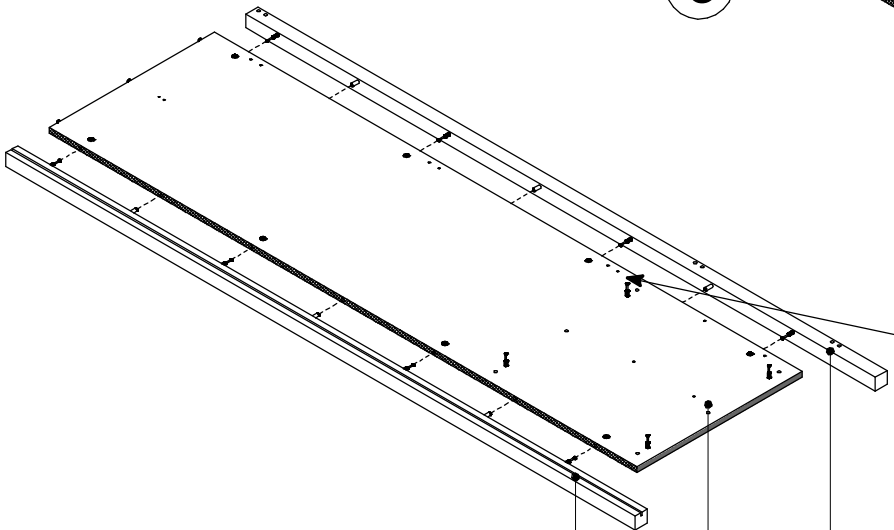
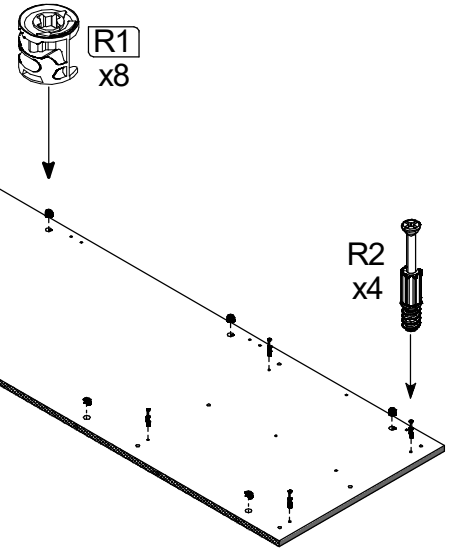
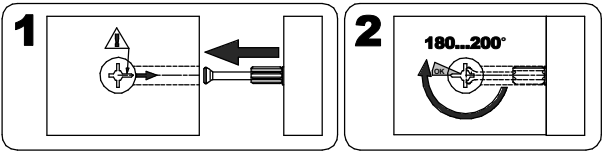
▶ 2



▶ 3

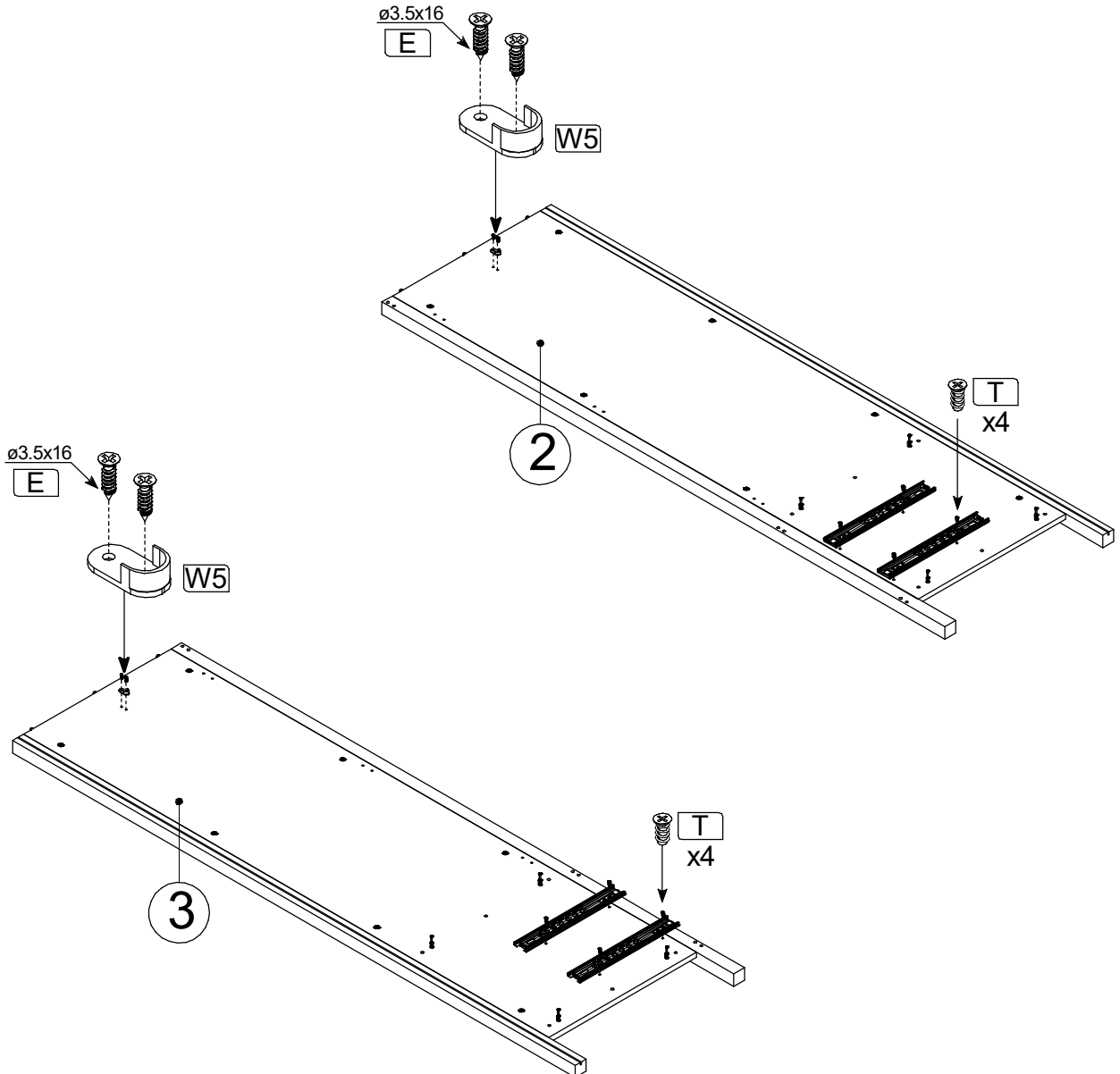
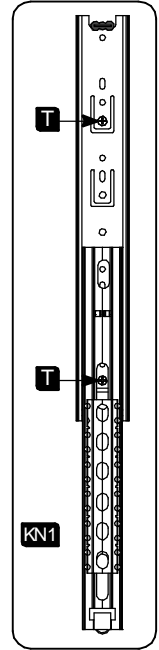
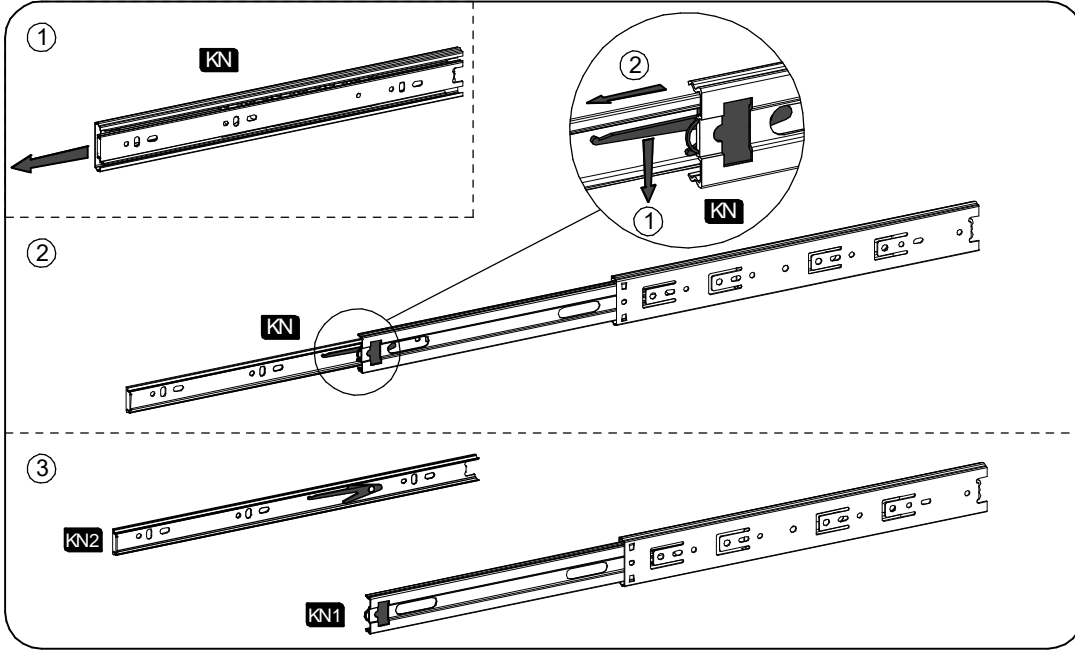
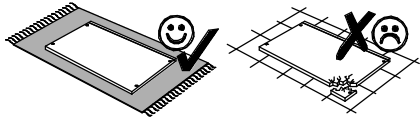


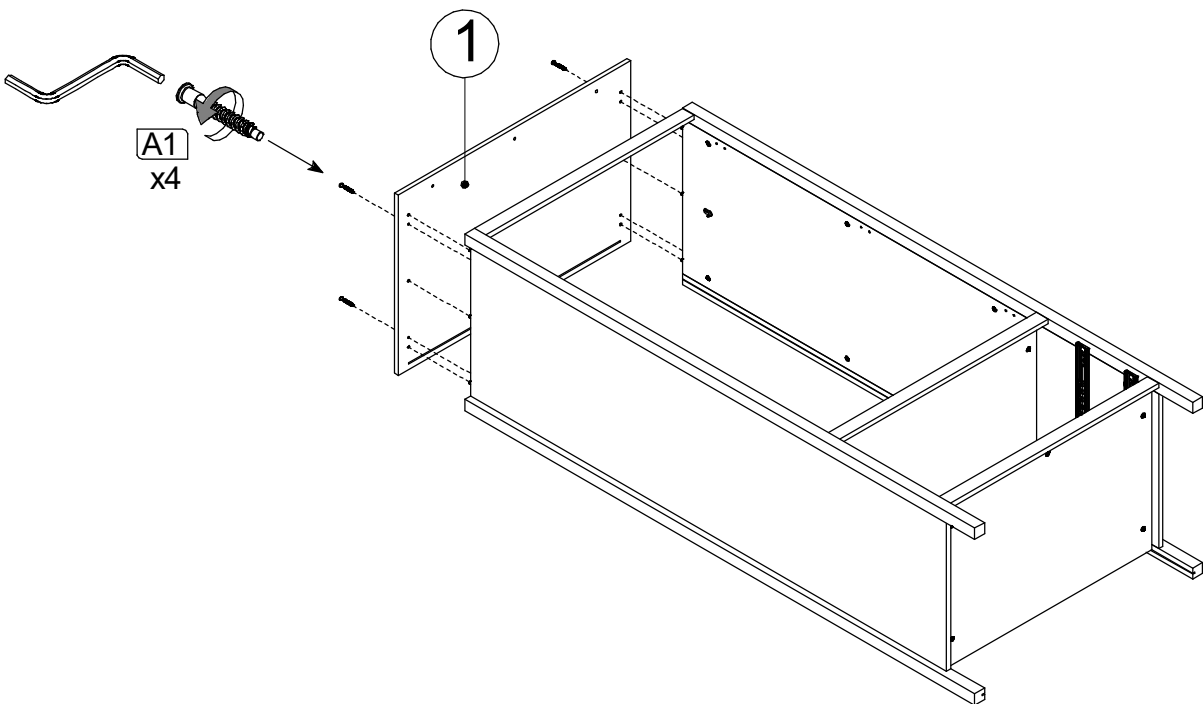
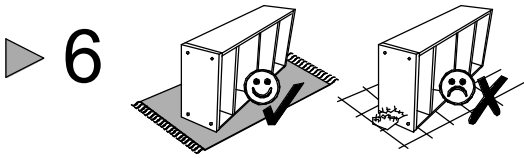
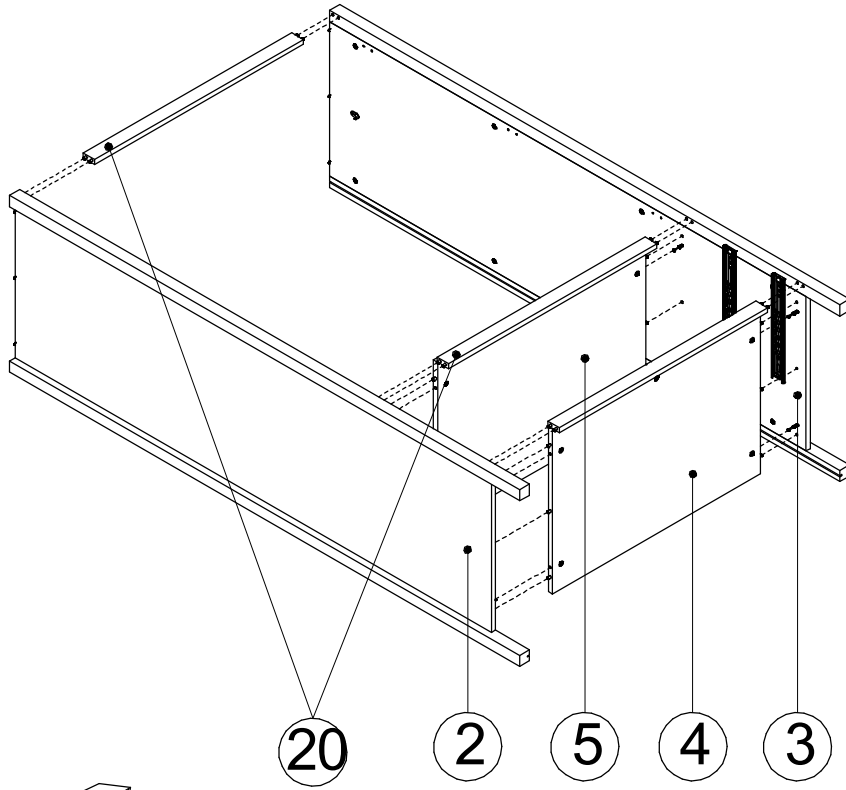
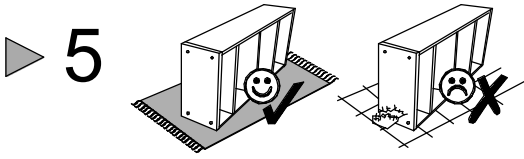
17 2 16

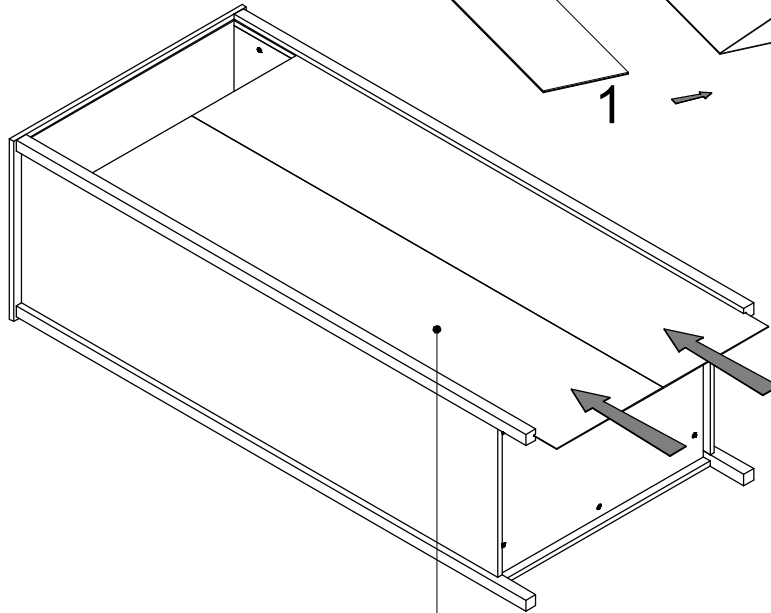
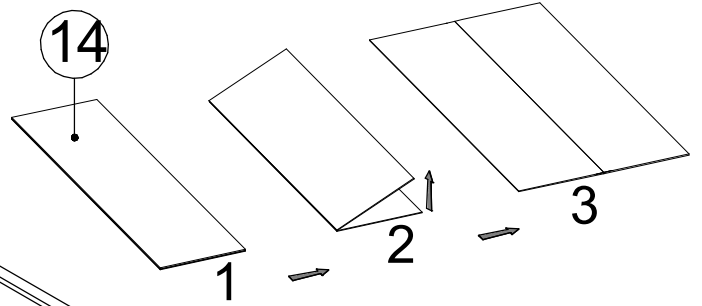
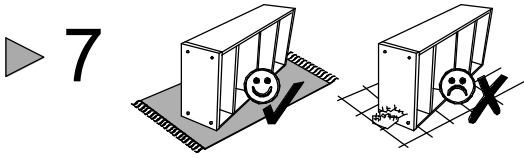


18 3 19

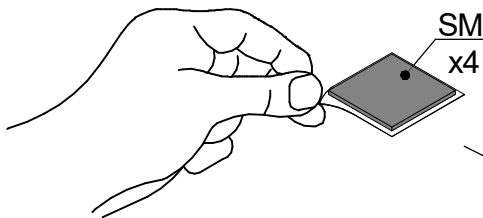
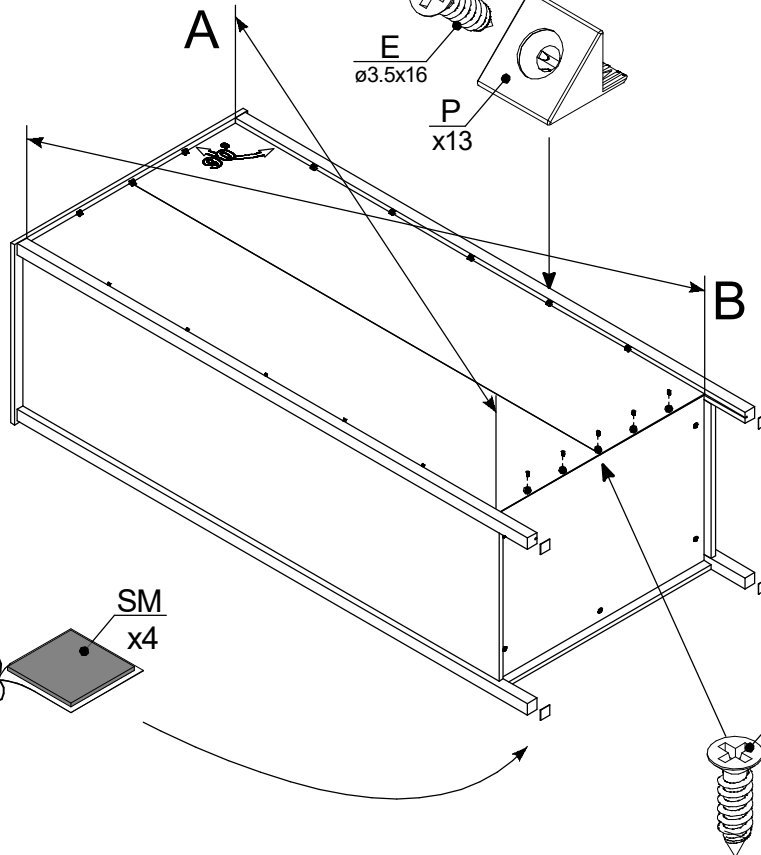
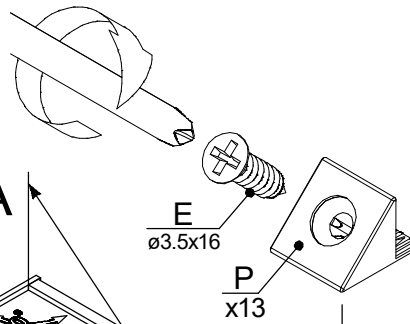
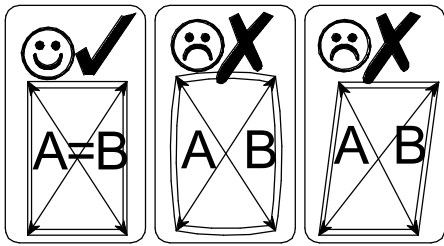
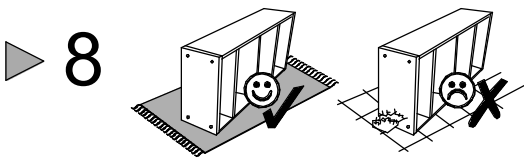
▶ 4

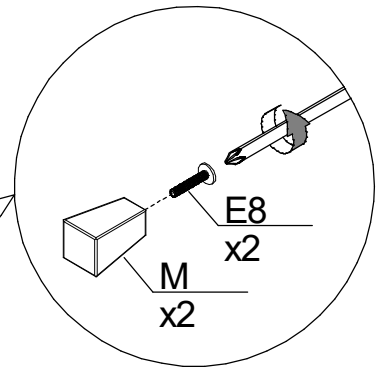
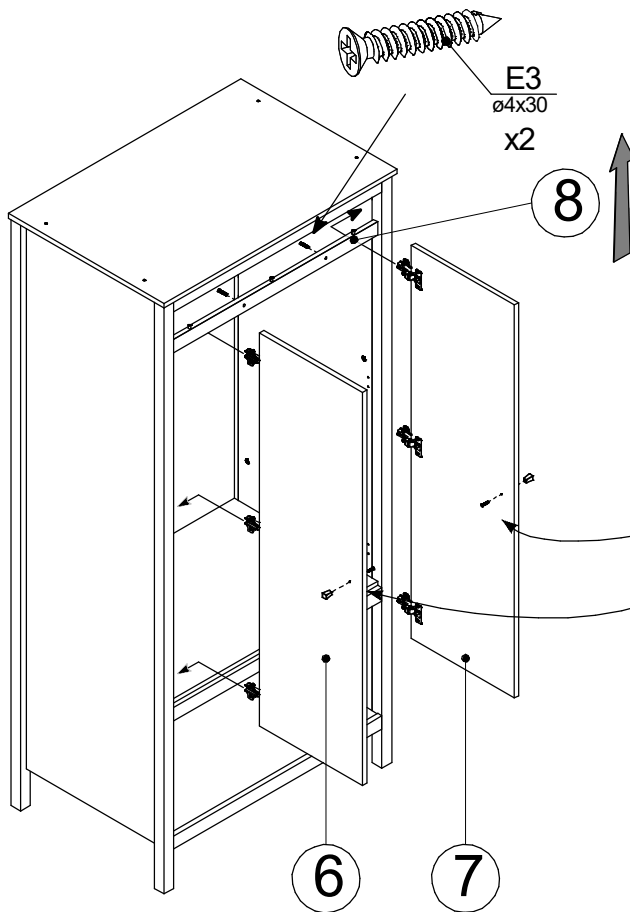
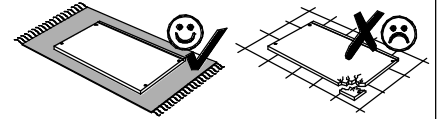
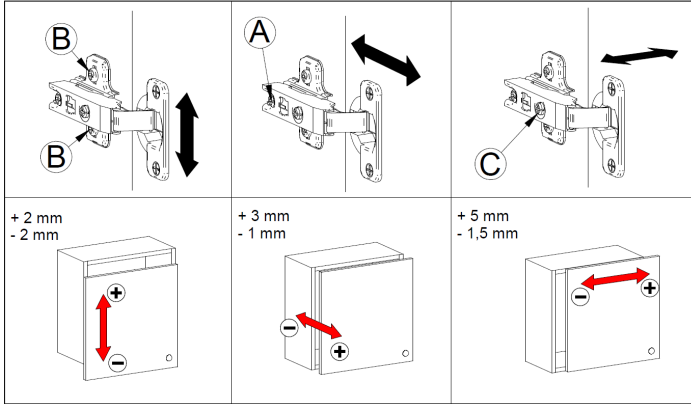
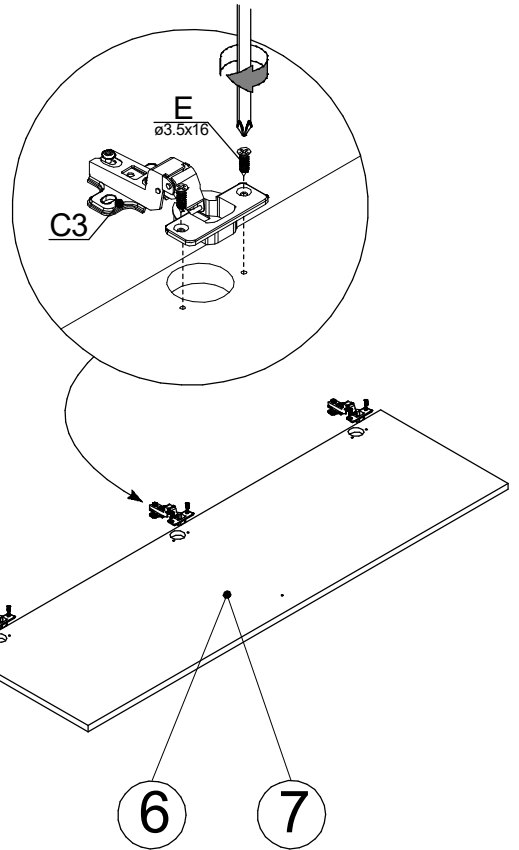
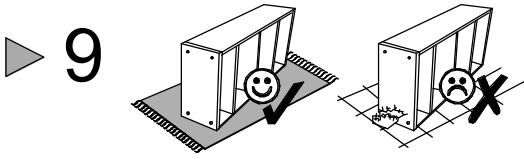


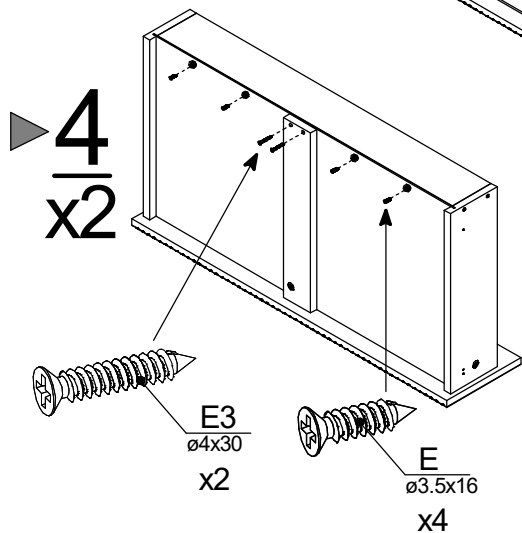
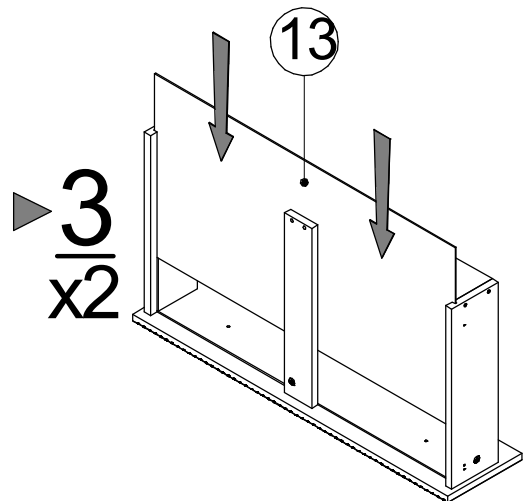
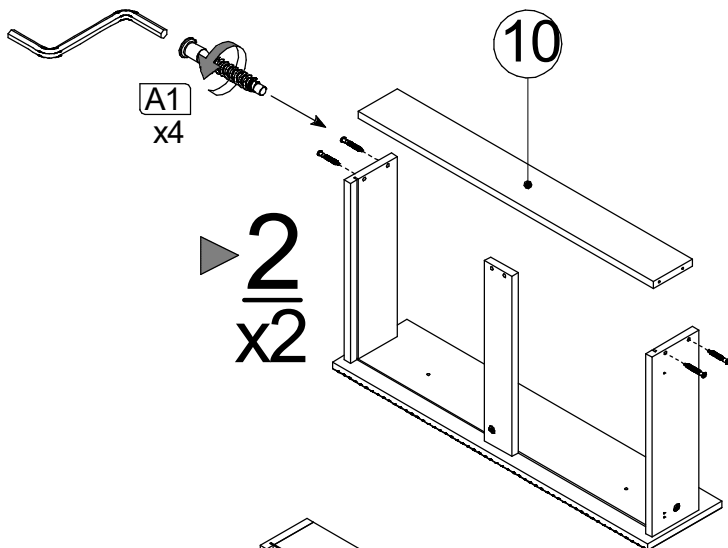
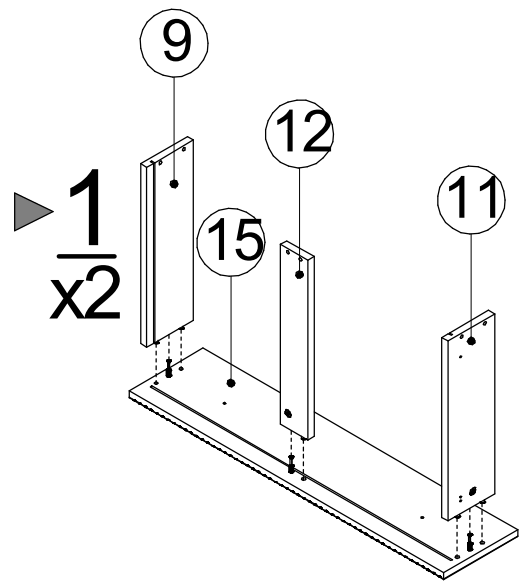
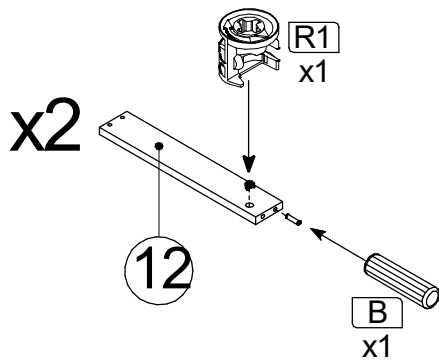
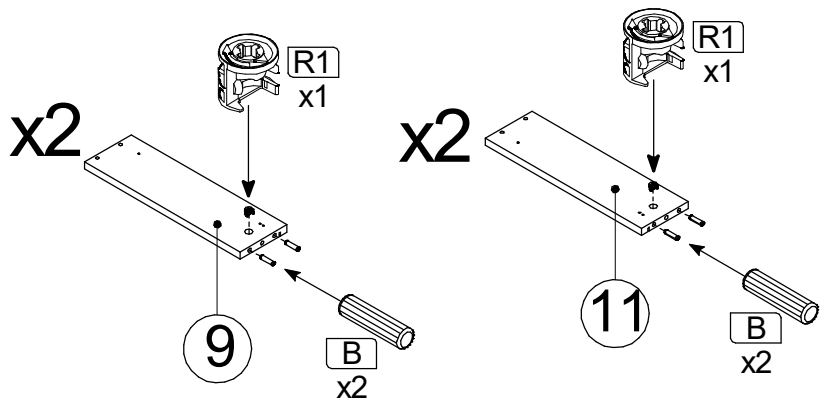
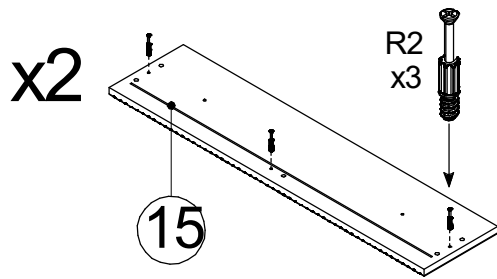
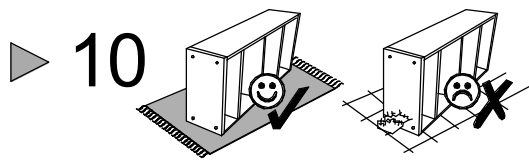


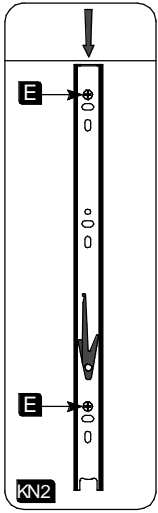
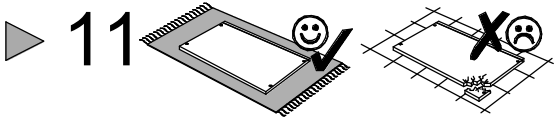


14









▶ $\frac{5}{x2}$

