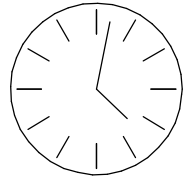
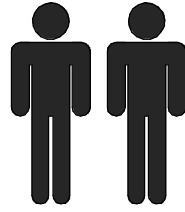
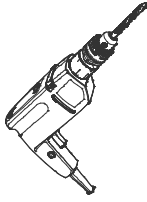
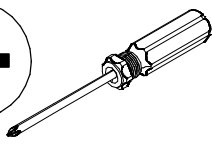
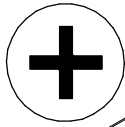
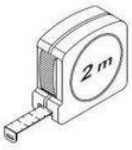
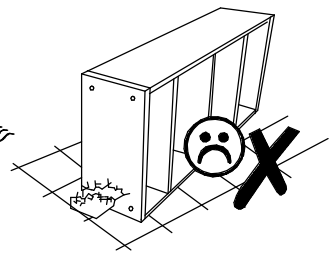
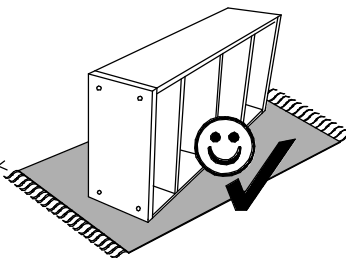
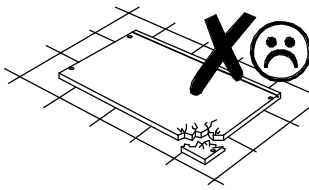
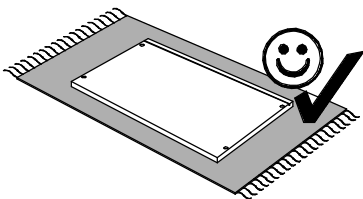
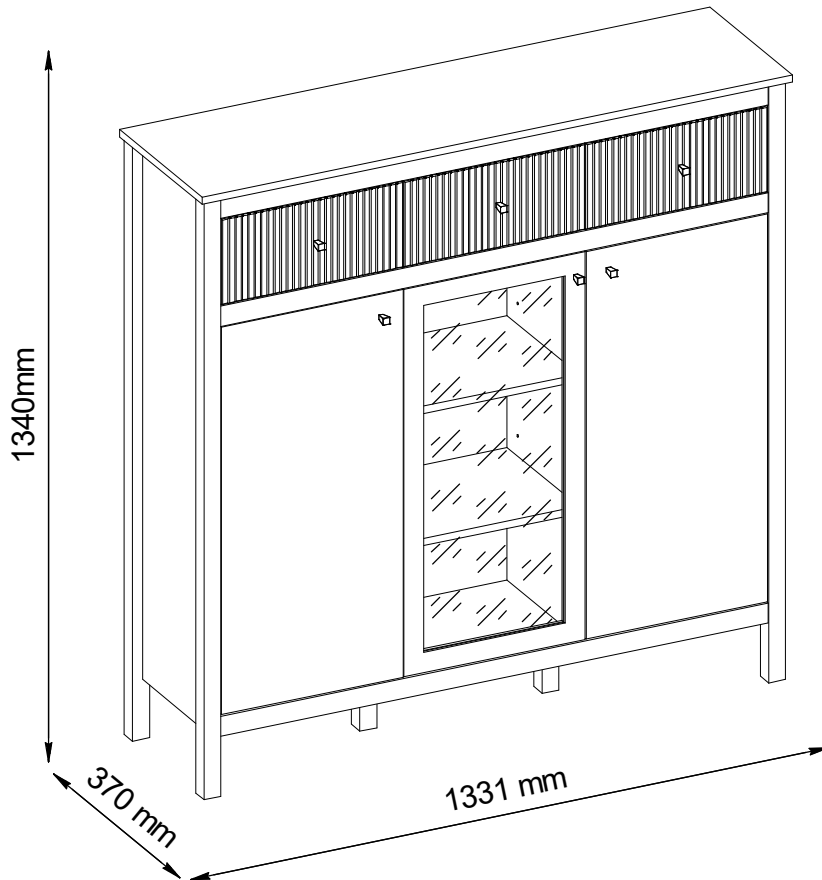
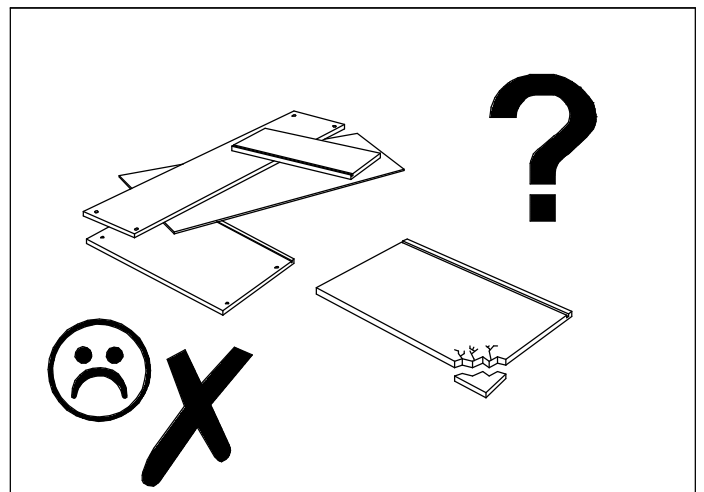
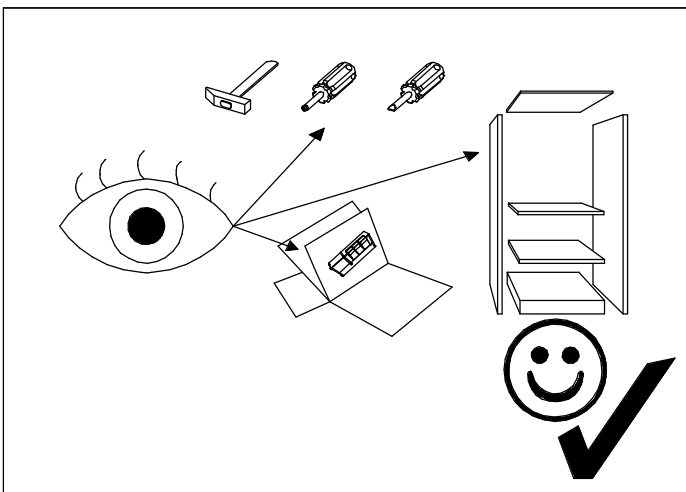
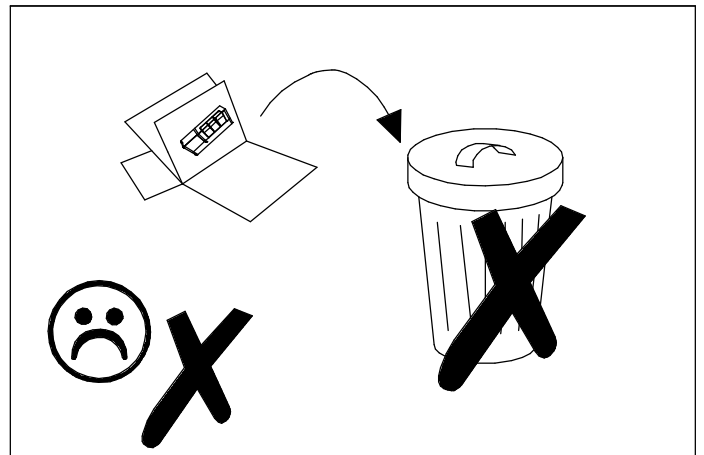
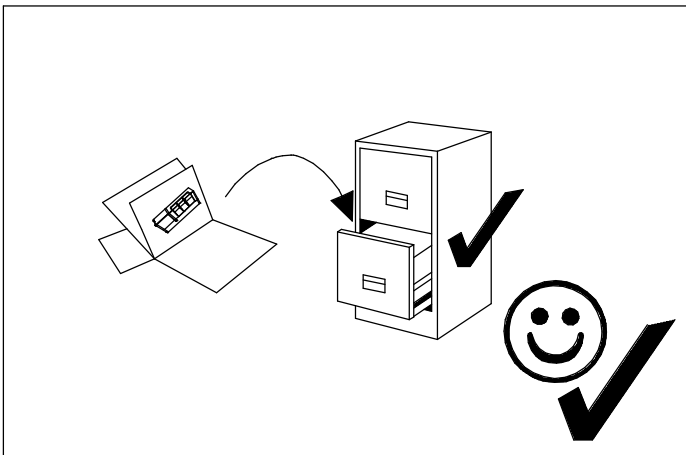
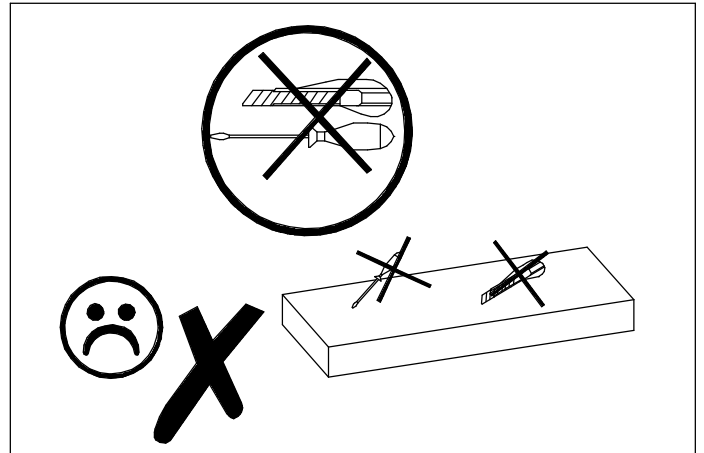
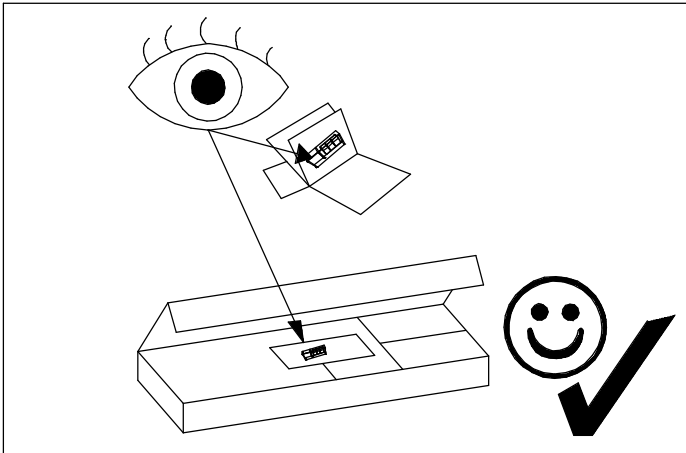
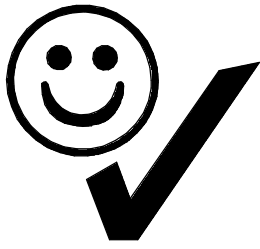


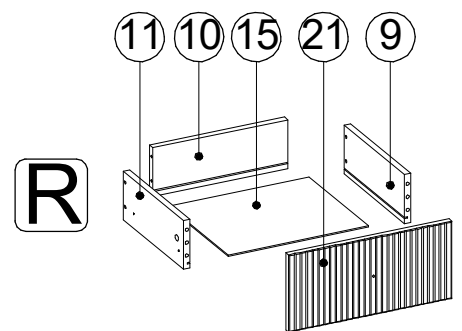
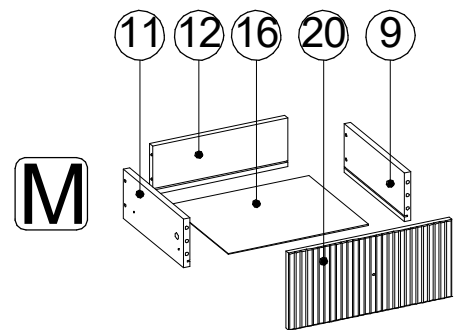
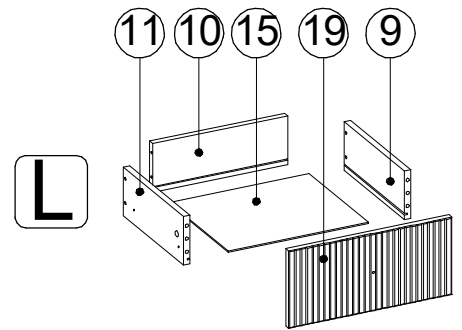
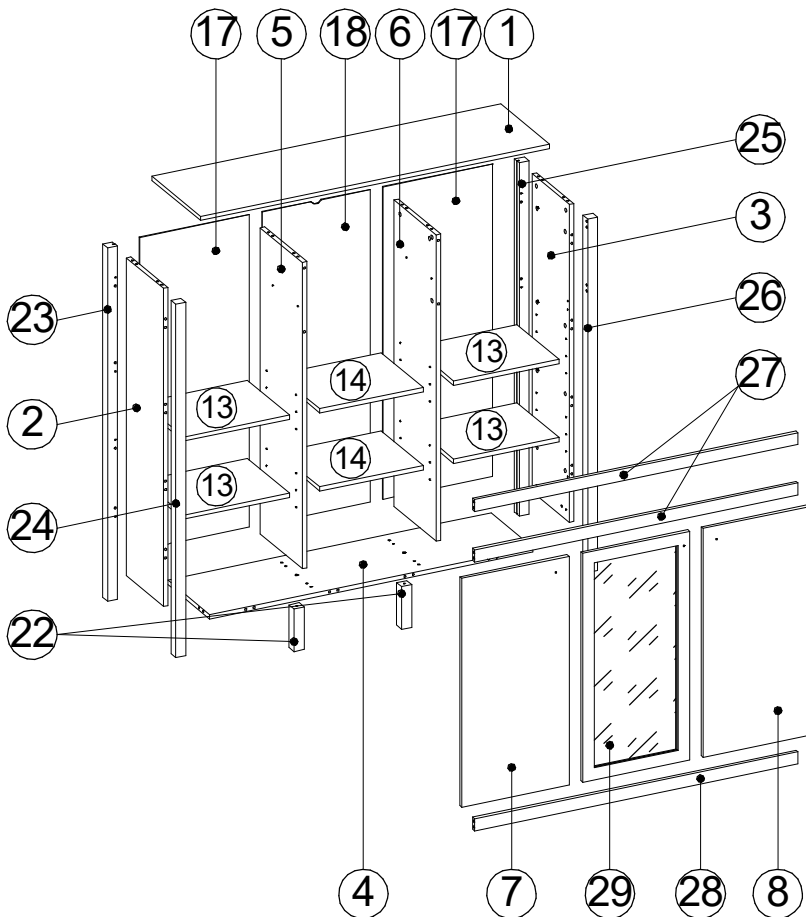
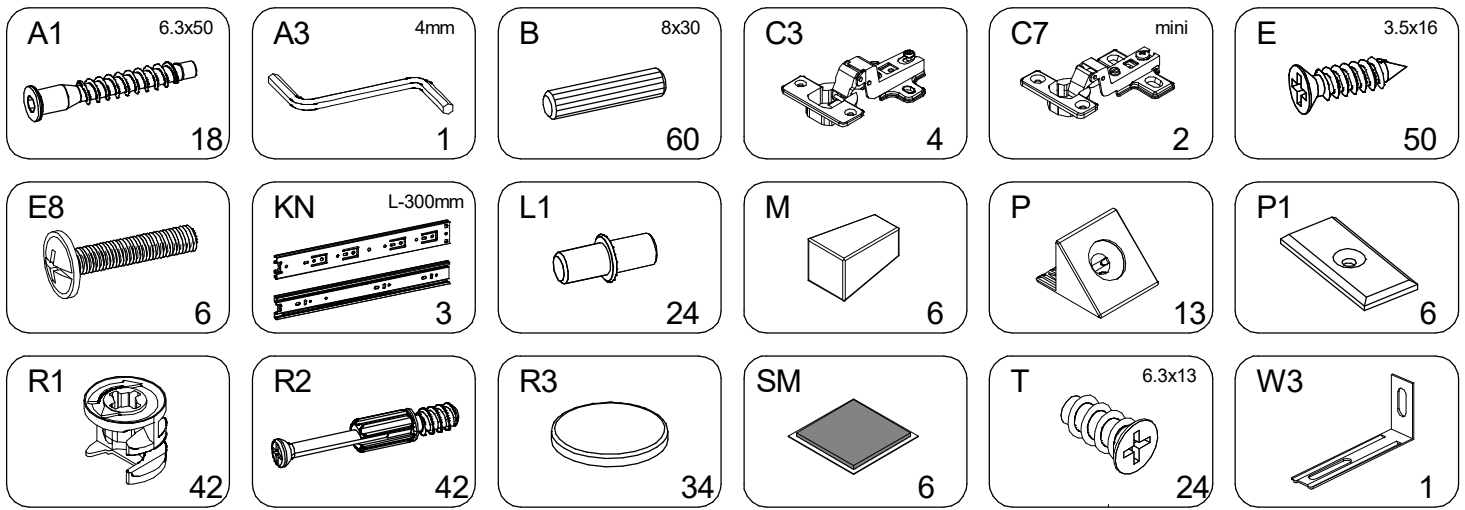
KLEO G



120 min





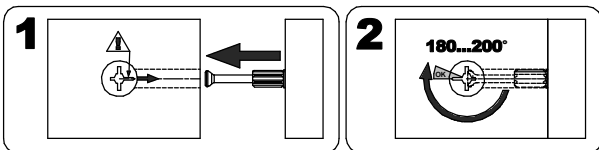
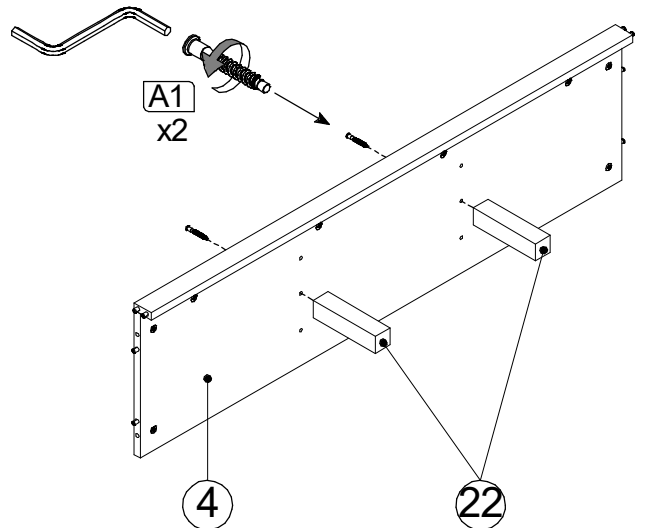
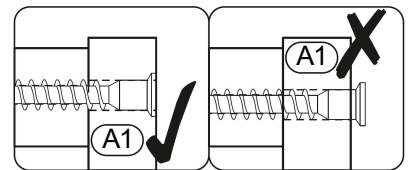
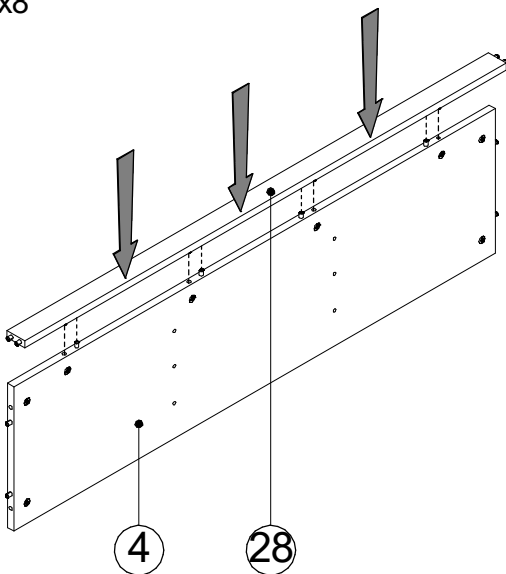
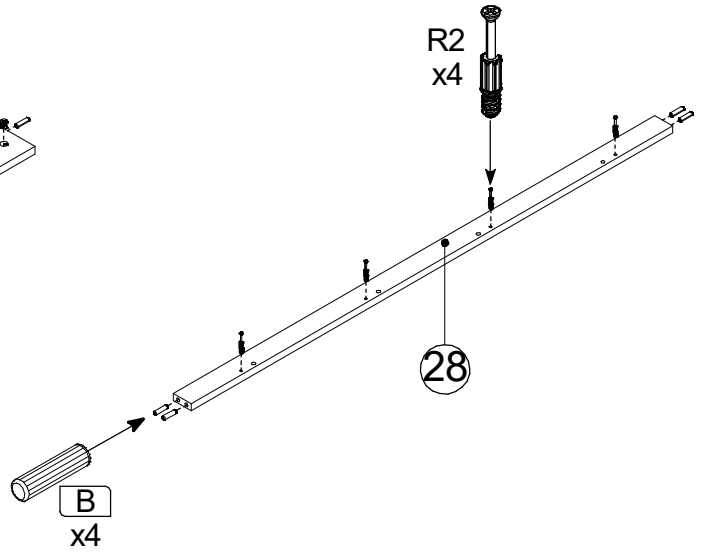
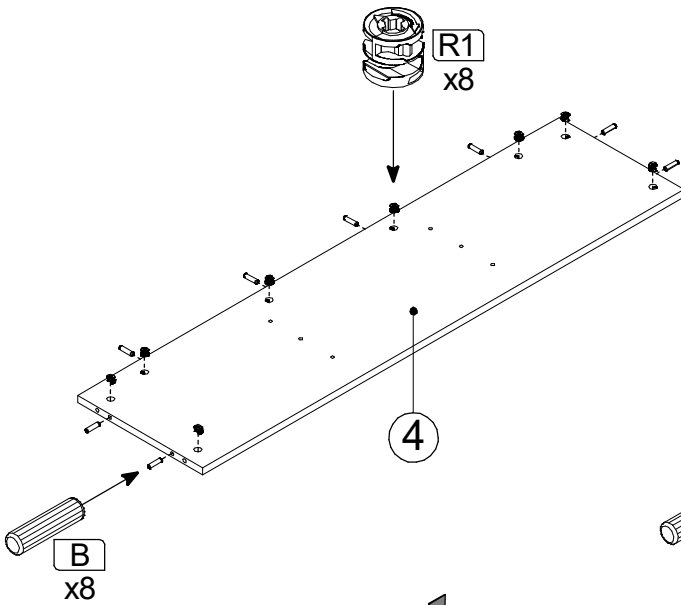
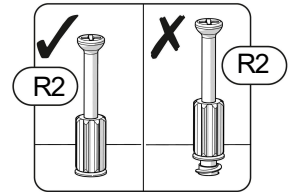
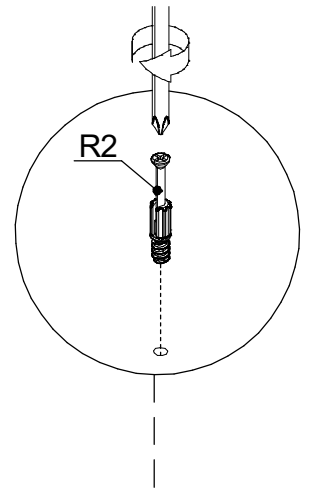
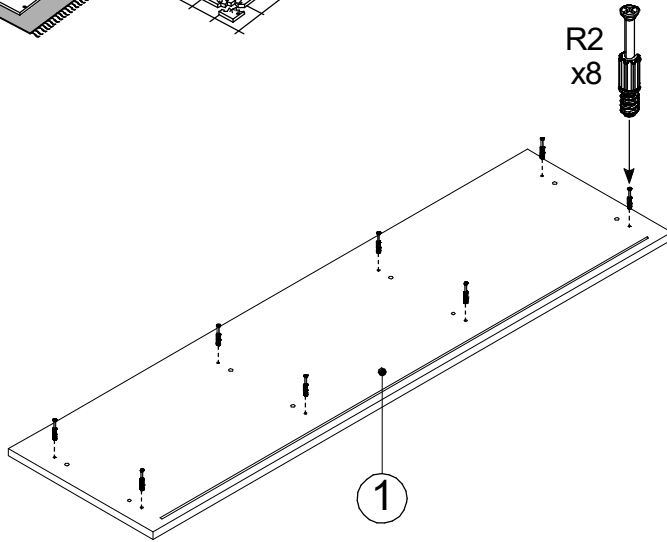
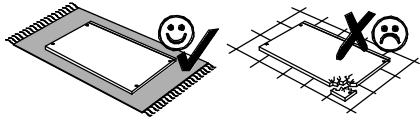


Element symbol	Measurements				Code	Paket
1	1331	370	16	1	1005	1/3
2	1192	283	16	1	1007	1/3
3	1192	283	16	1	1024	1/3
4	1235	321	16	1	1009	1/3
5	1148	321	16	1	1010	1/3
6	1148	321	16	1	1011	1/3
7	858	409	16	1	1028	3/3
8	858	409	16	1	1014	3/3
9	300	120	16	3	1030	1/3

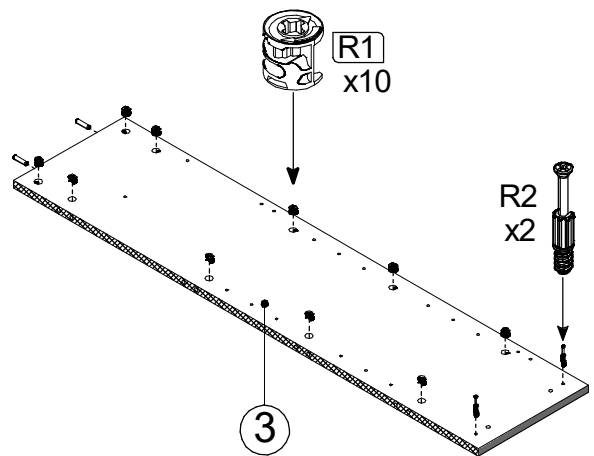
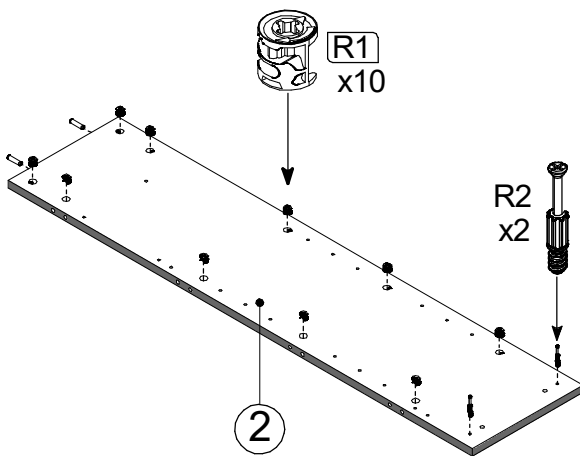
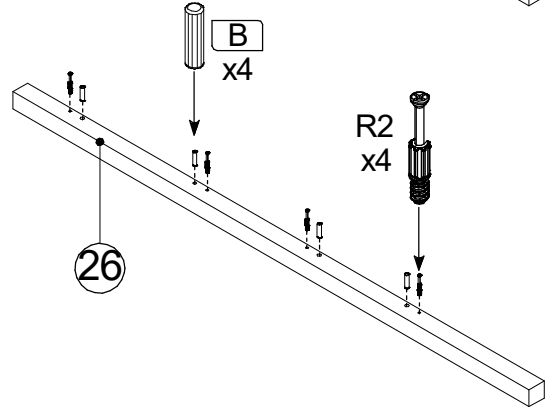
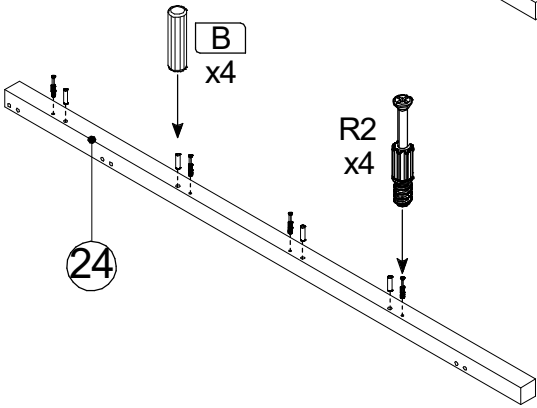
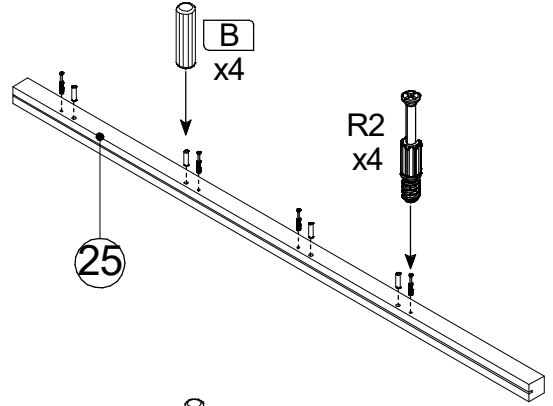
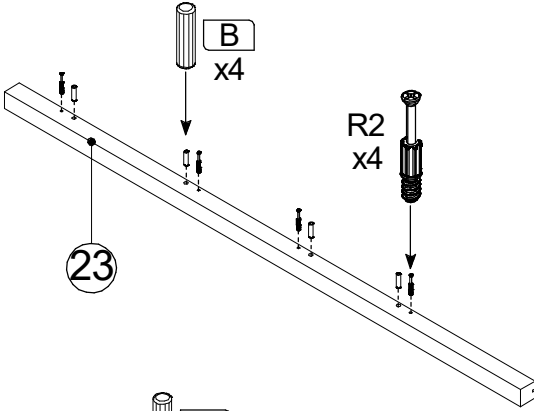
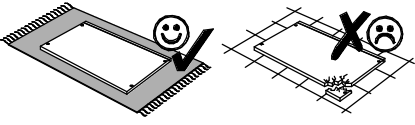
10	346.5	120	16	1	1031	1/3
11	300	120	16	3	1032	1/3
12	337.5	120	16	1	1039	1/3
13	404	320.5	16	4		1/3
14	395	320.5	16	2		1/3
15	360.5	296	3	2		1/3
16	351.5	296	3	1		1/3
17	1171	419	3	2		1/3
18	1171	411	3	1	1007_v	1/3
19	409	190	16	1	3001	1/3

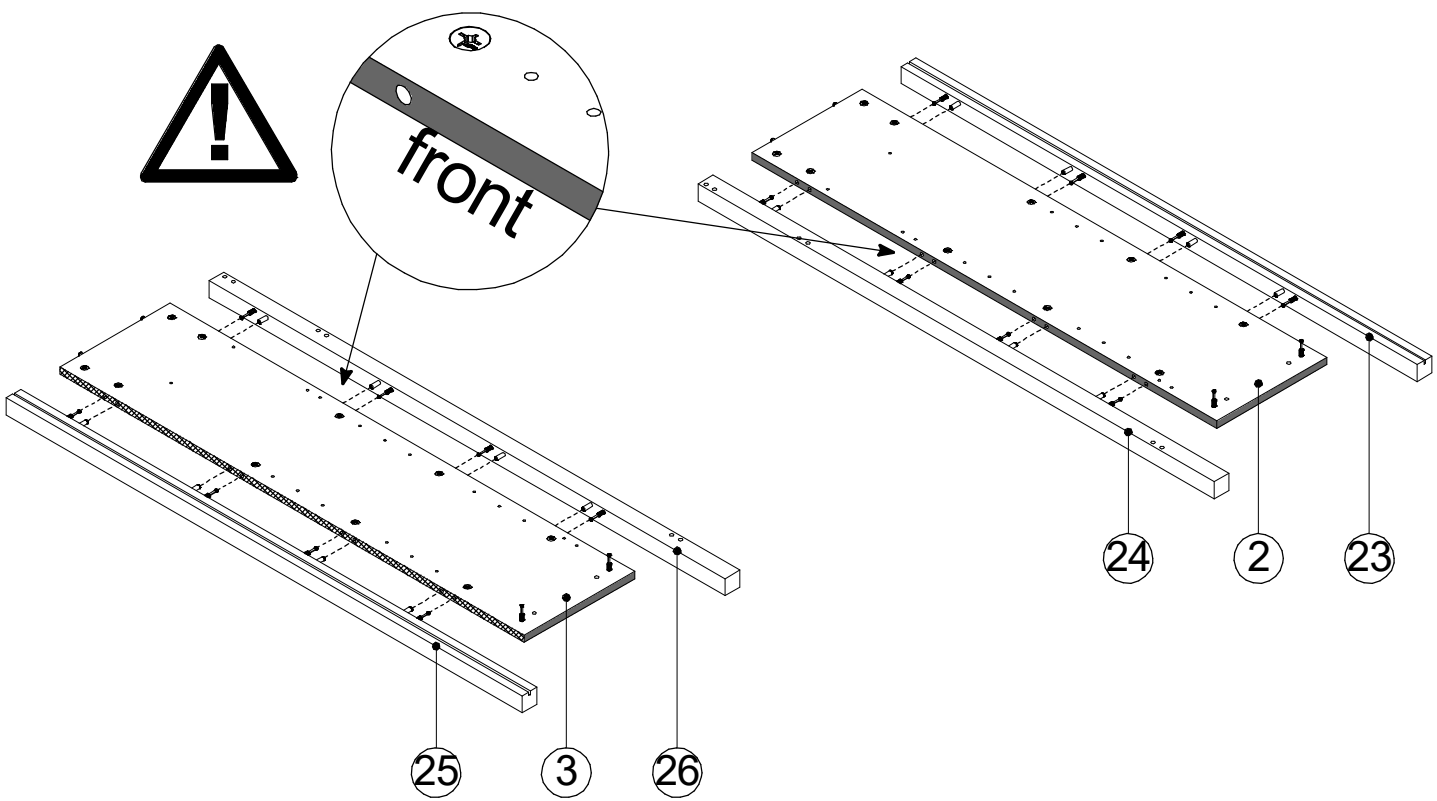
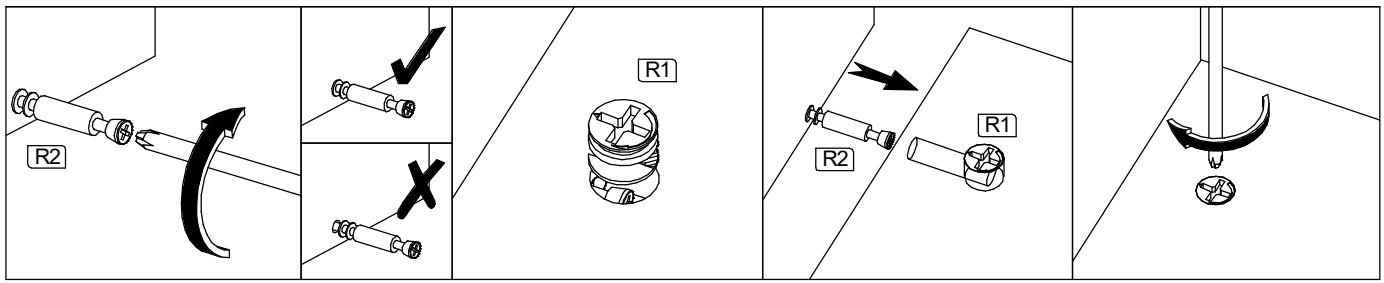
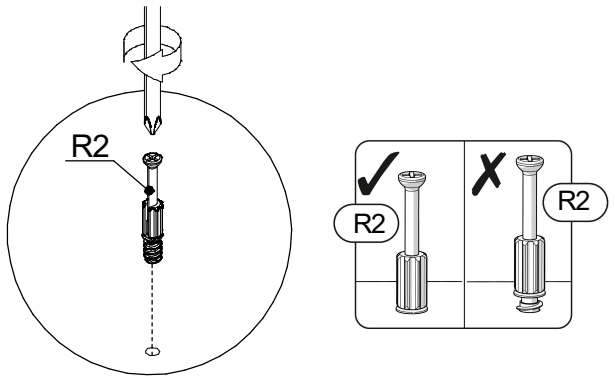
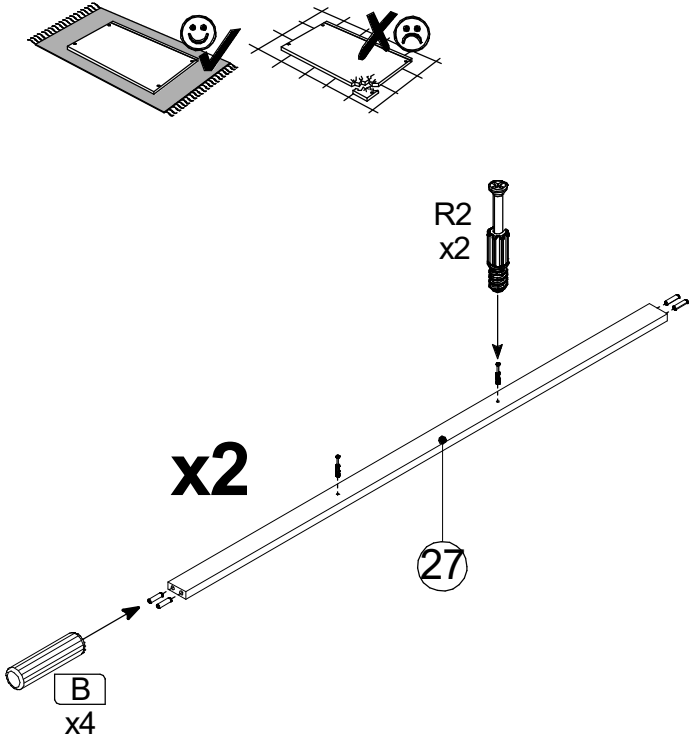
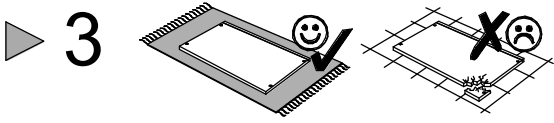
20	409	190	16	1	3002	1/3
21	409	190	16	1	3003	1/3
22	158	38	38	2		1/3
23	1324	38	38	1		1/3
24	1324	38	38	1		1/3
25	1324	38	38	1		1/3
26	1324	38	38	1		1/3
27	1235	45	16	2		1/3
28	1235	45	16	1		1/3
29	858	409	16	1		3/3

▶ 1

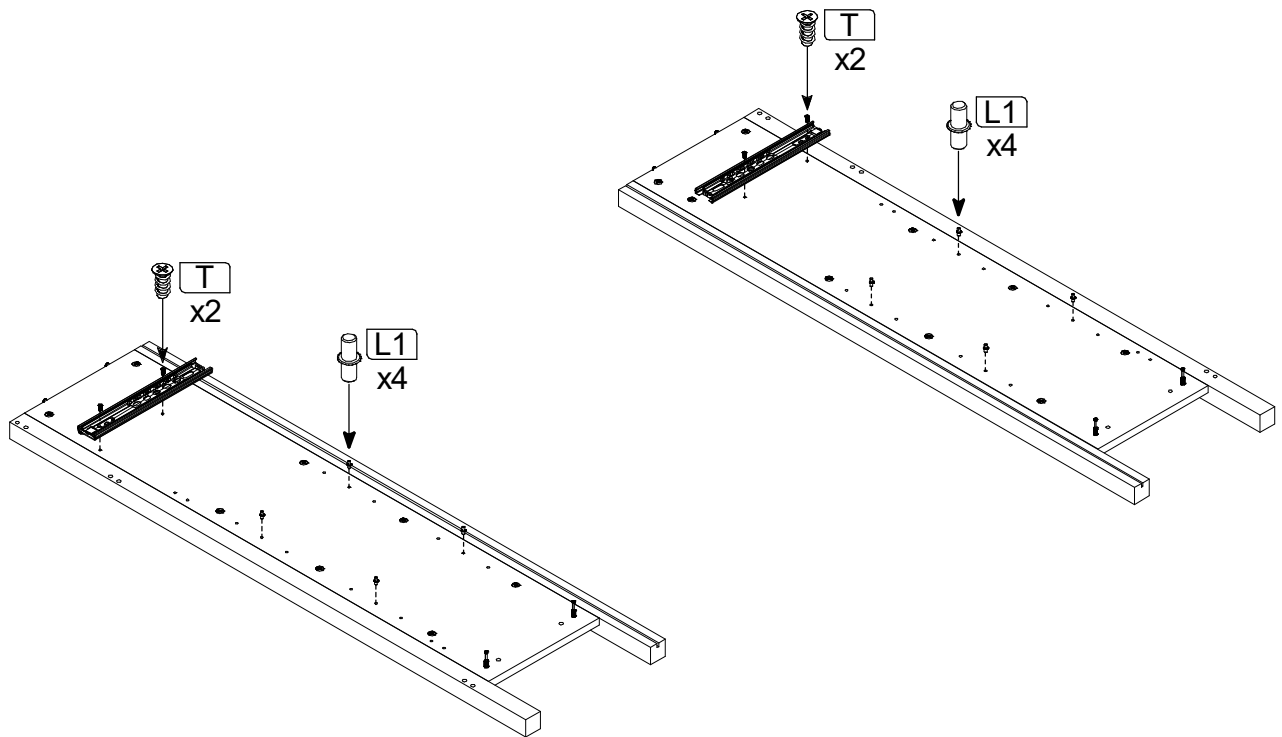
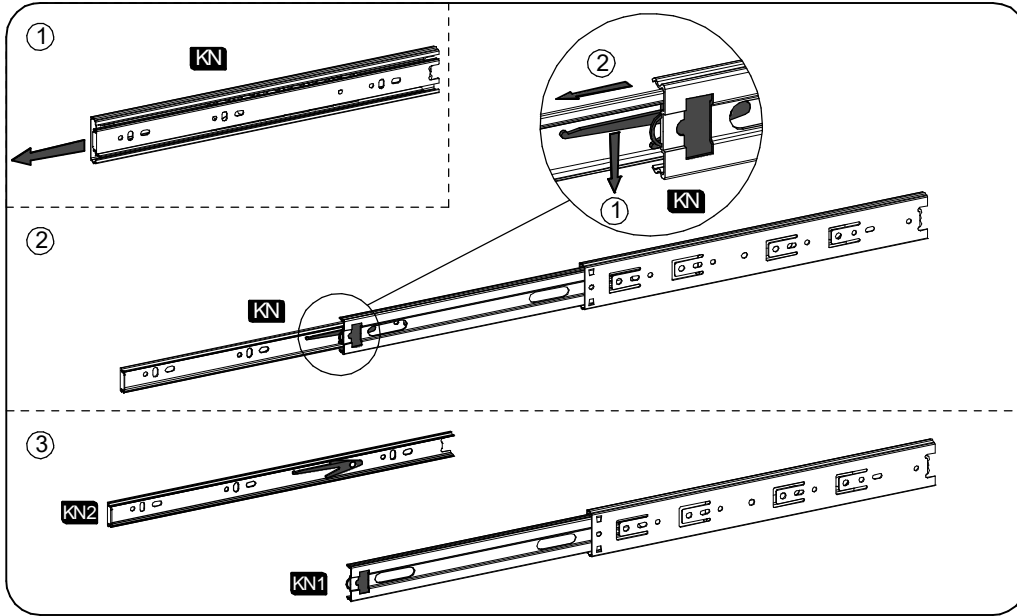
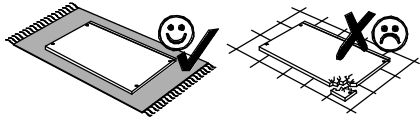


▶ 2

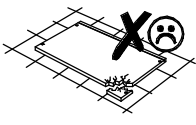
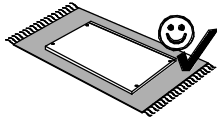




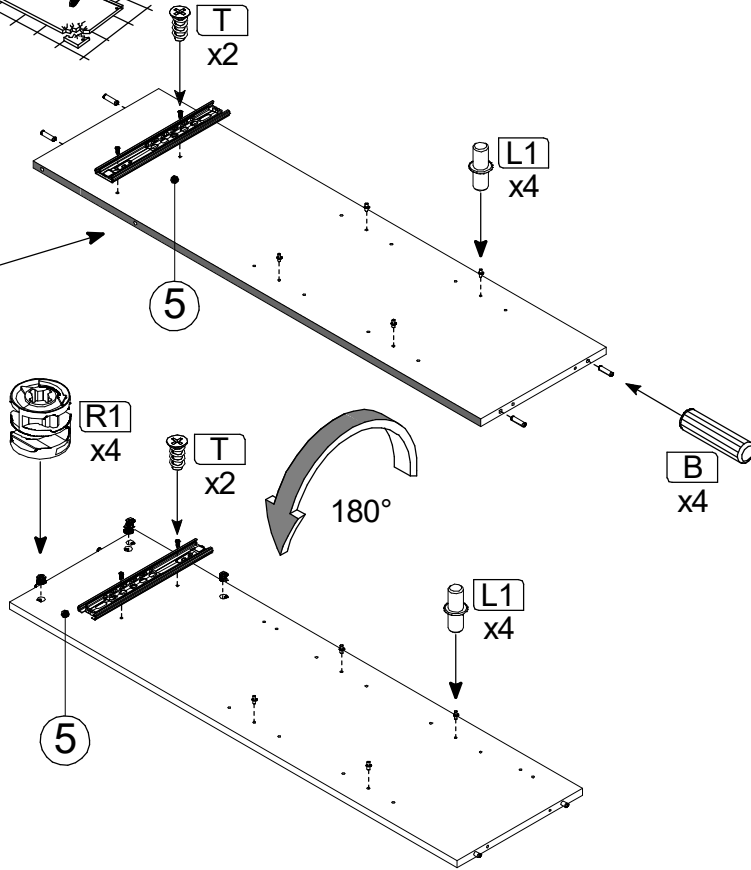
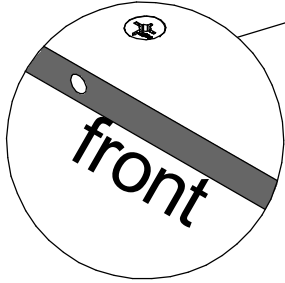
▶ 4



▶ 5



T
x2



5

R1
x4

T
x2

180°

B
x4

L1
x4

T
x2

6

L1
x4

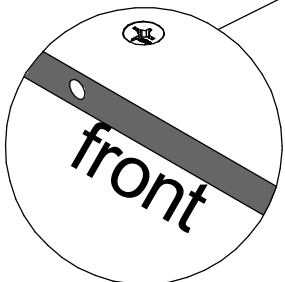
R1
x4

T
x2

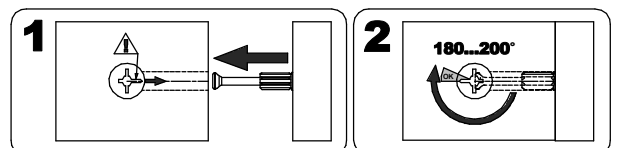
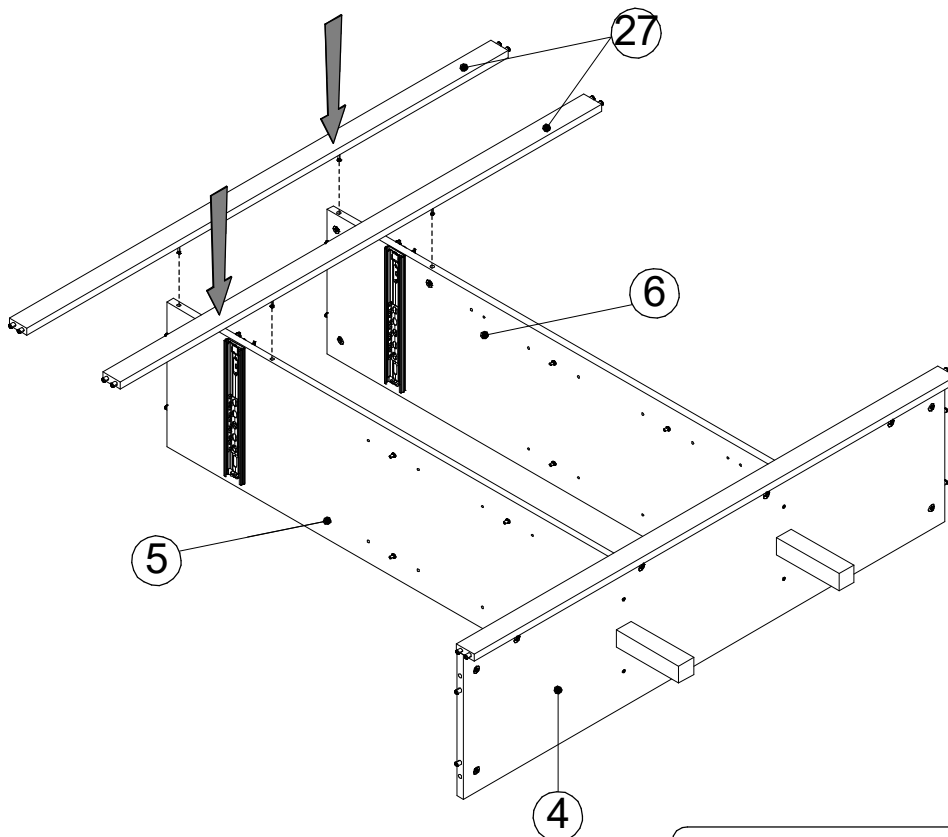
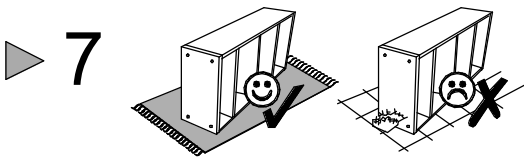
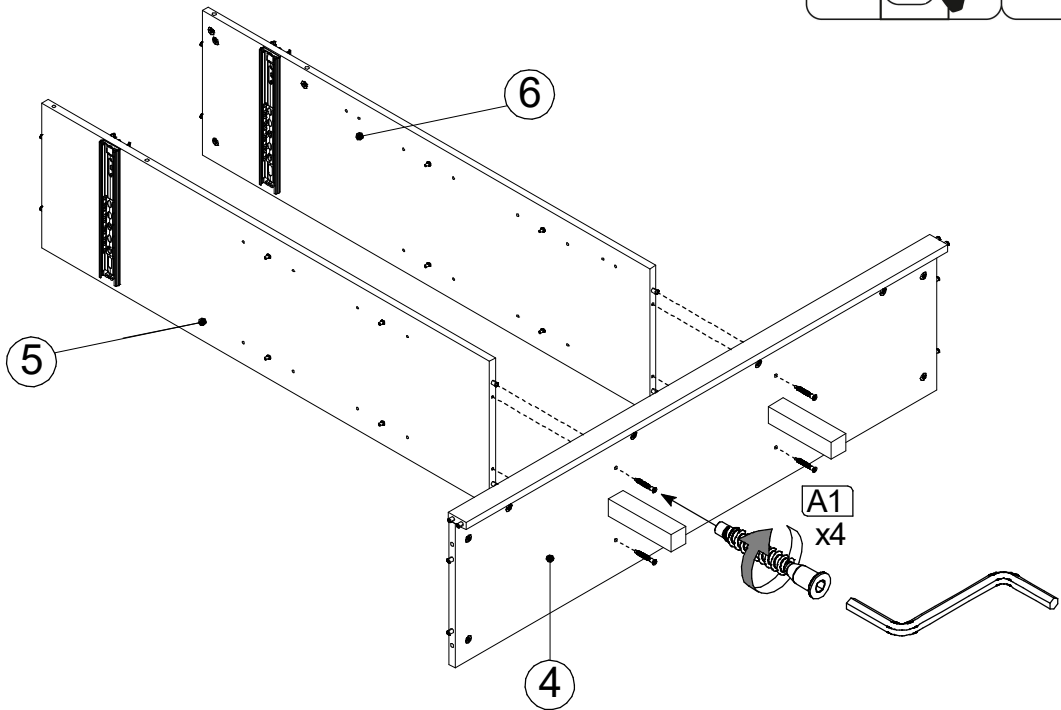
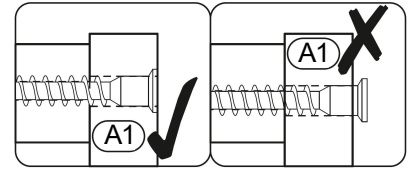
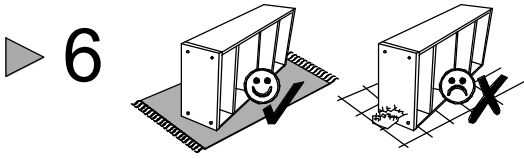
180°

B
x4

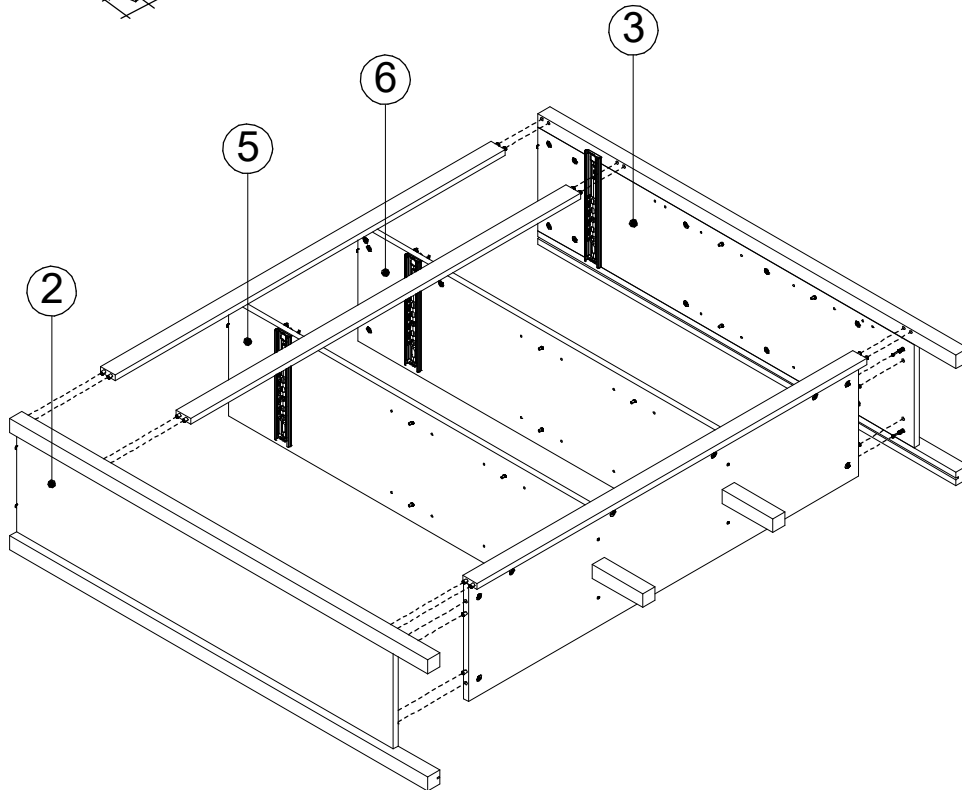
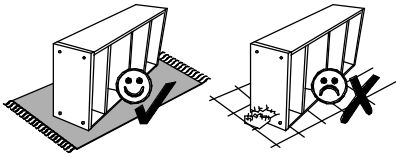
L1
x4



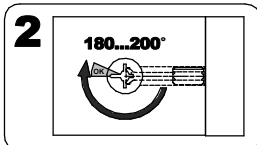
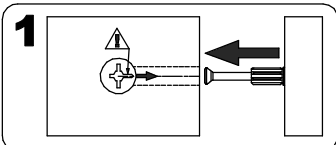
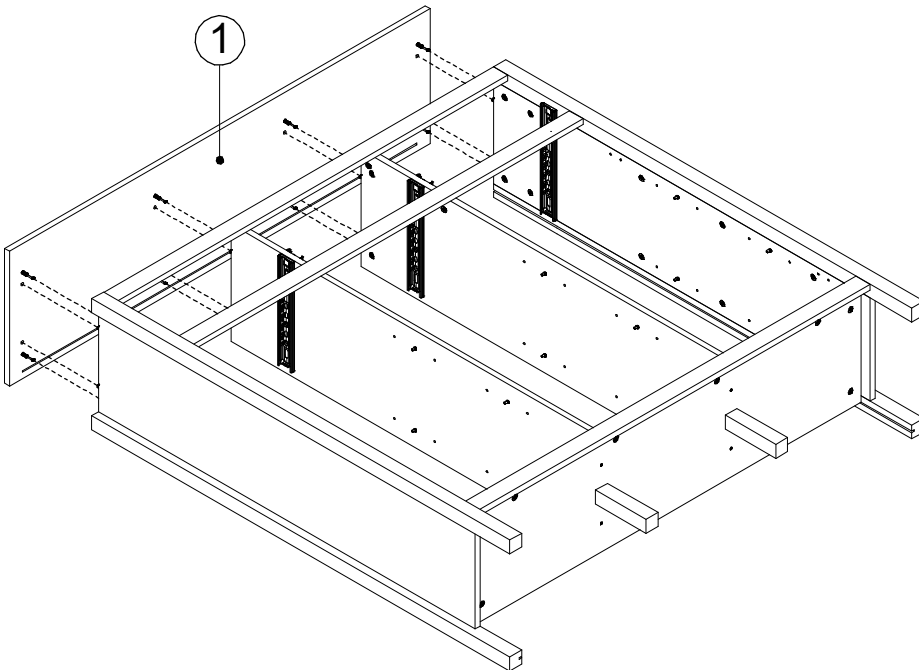
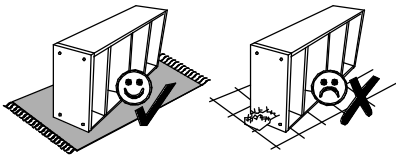
6

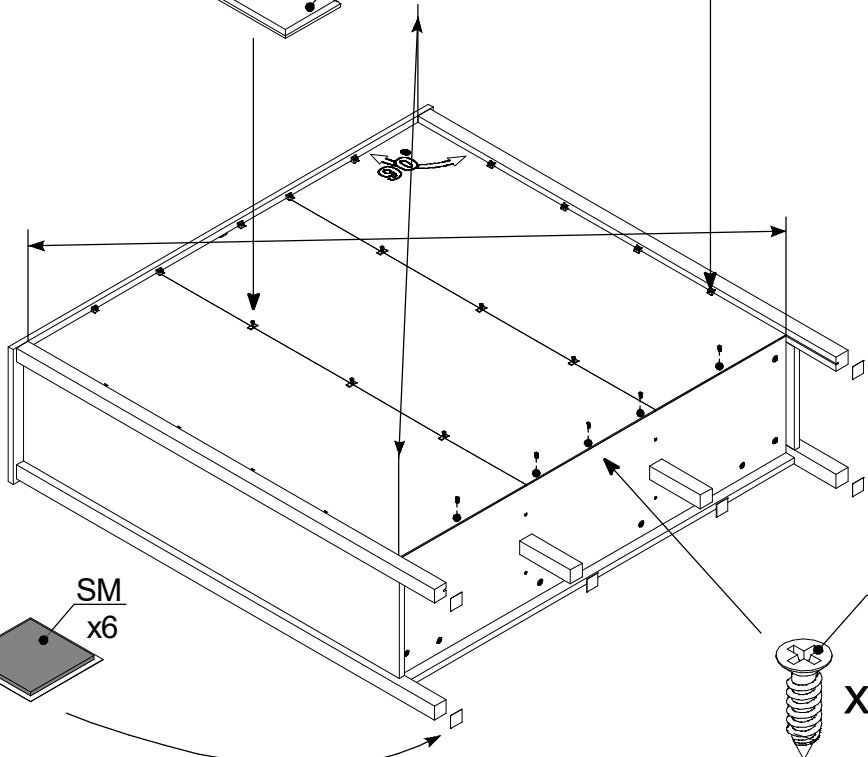
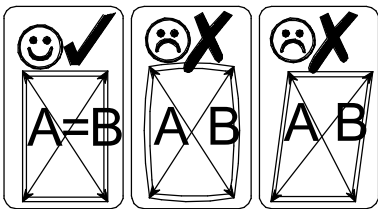
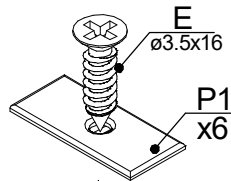
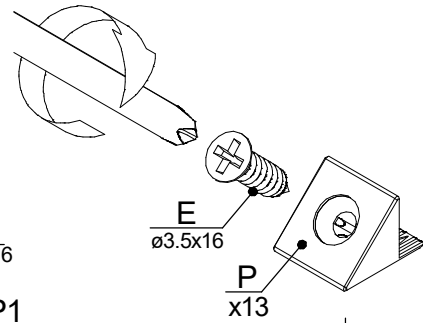
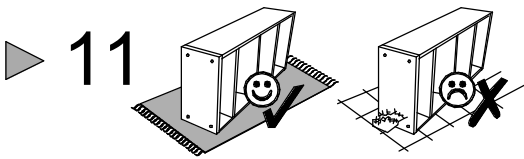
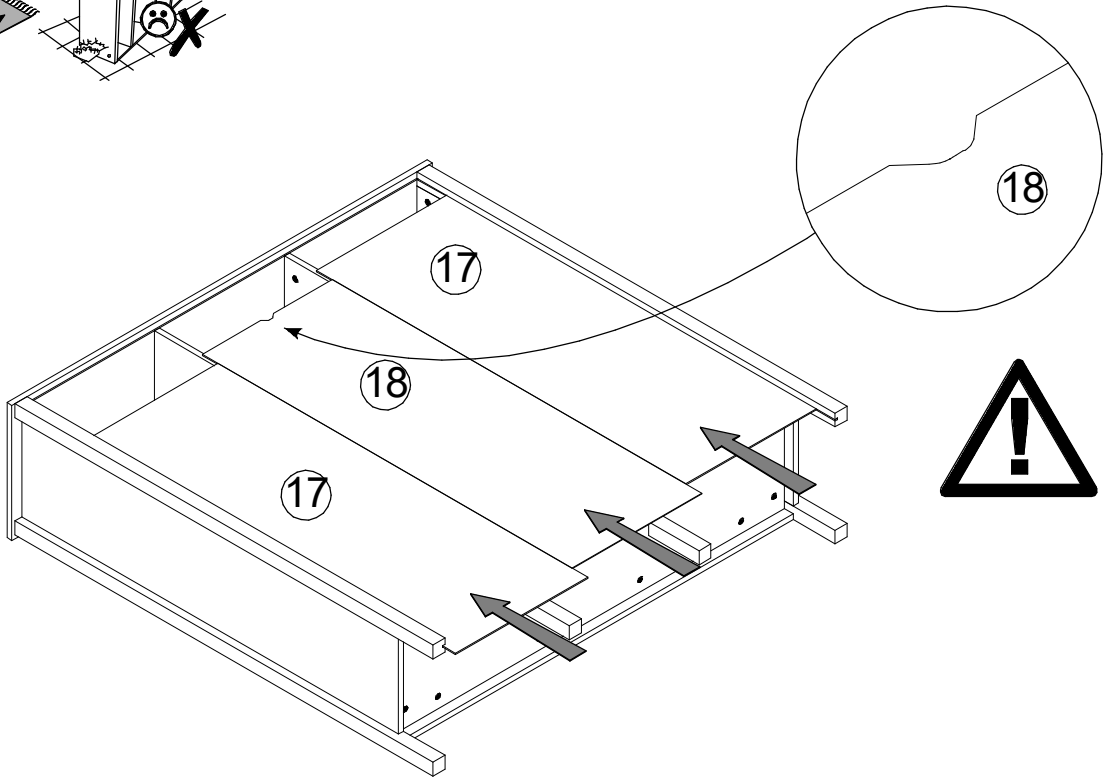
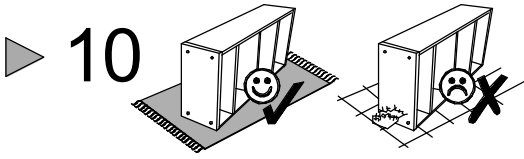


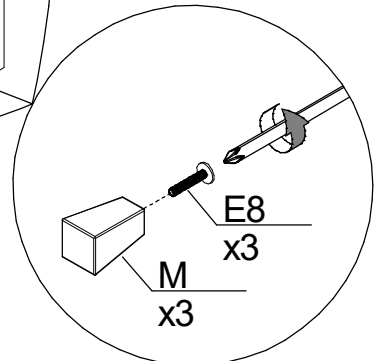
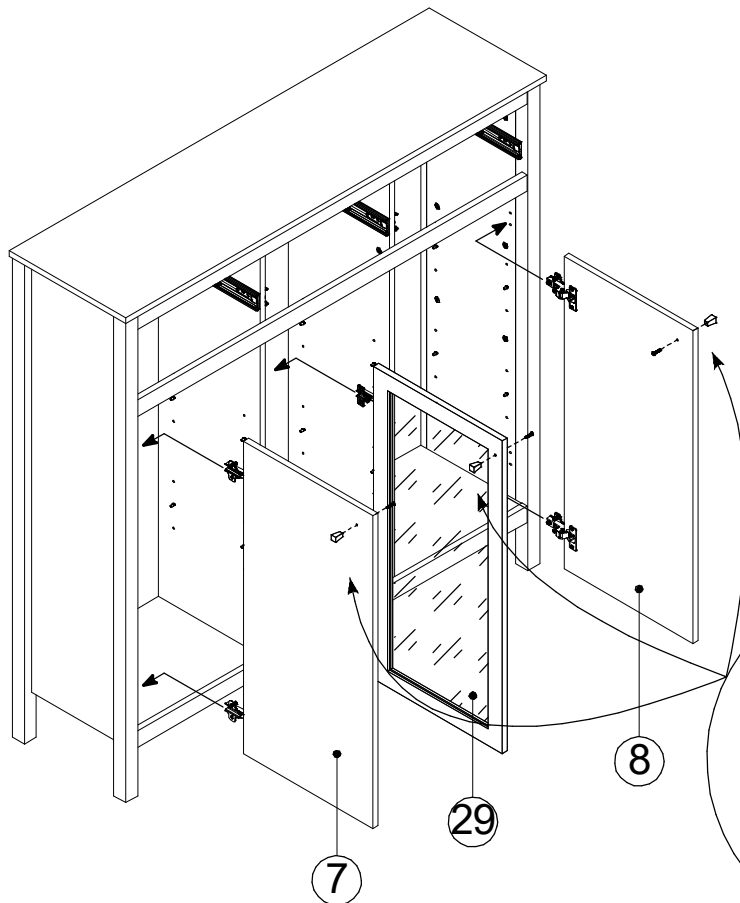
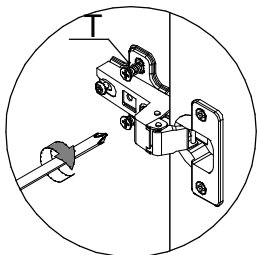
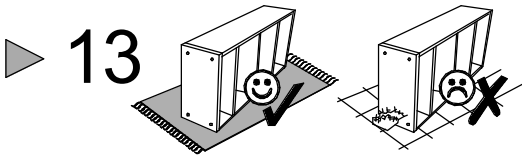
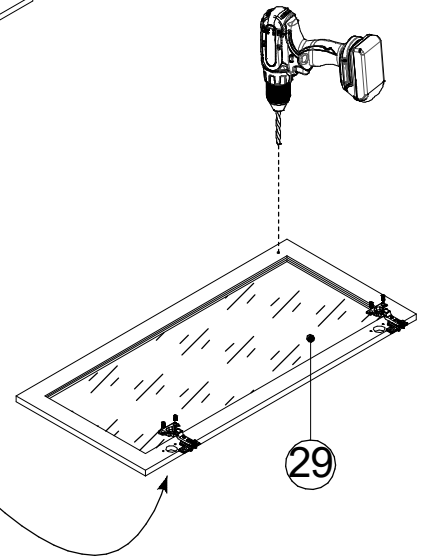
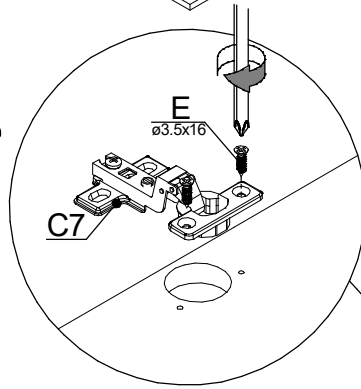
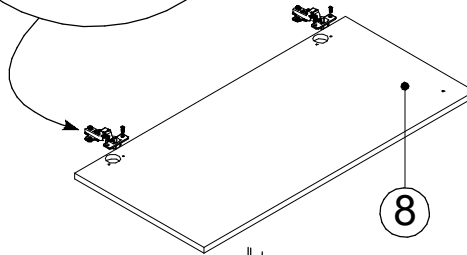
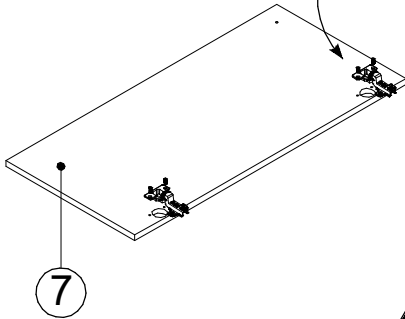
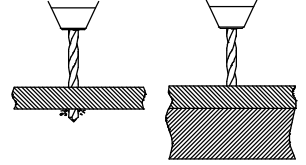
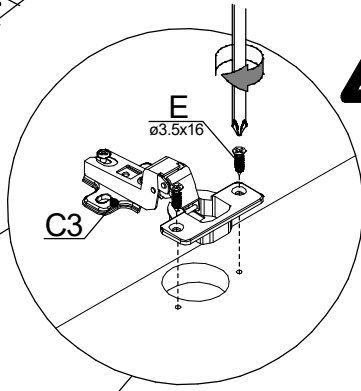
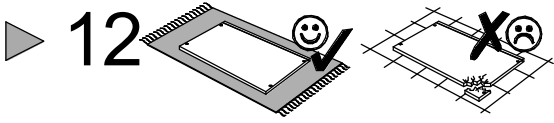
8

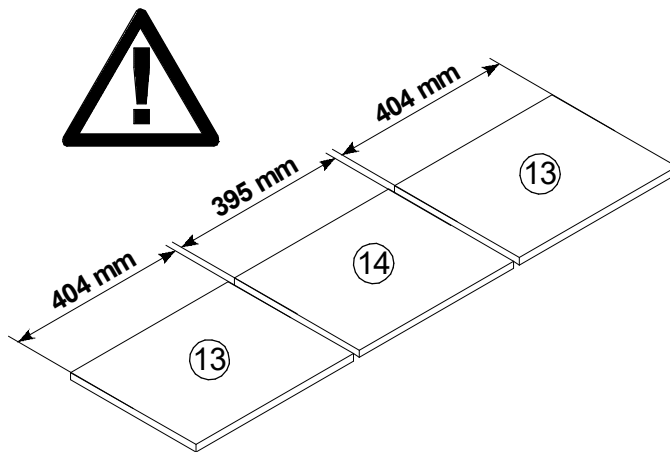
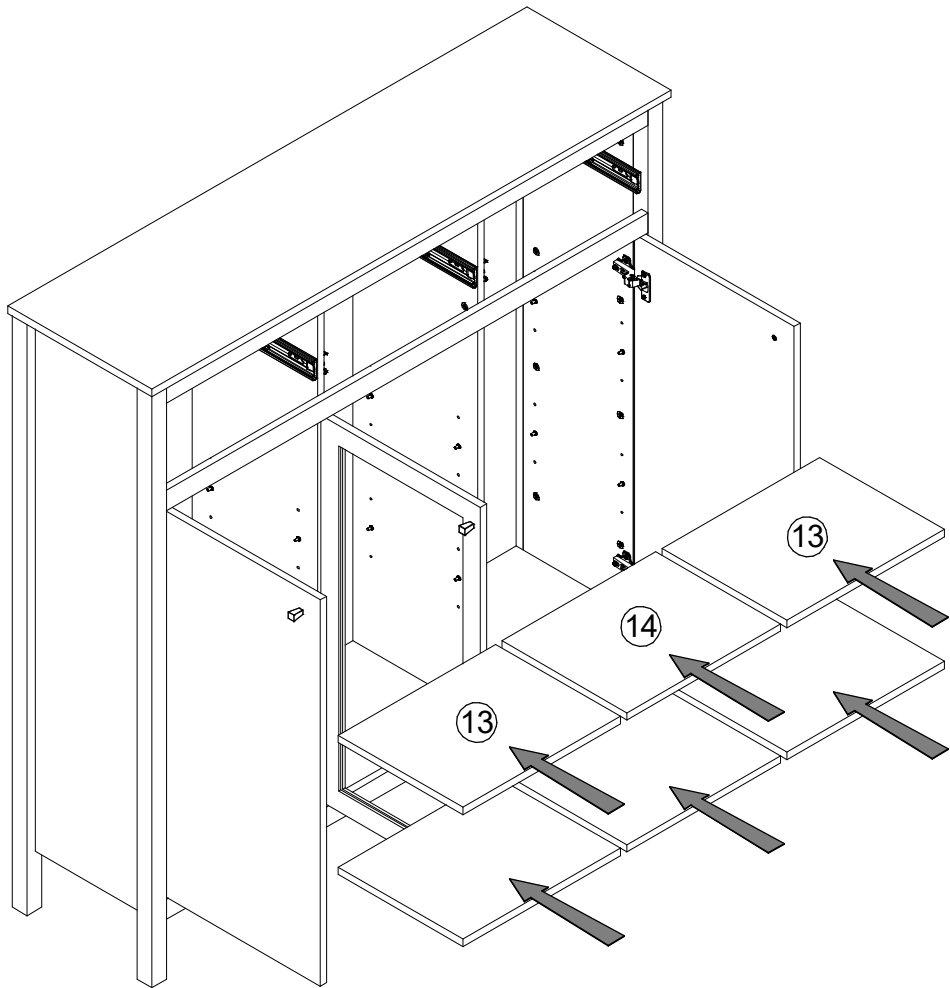
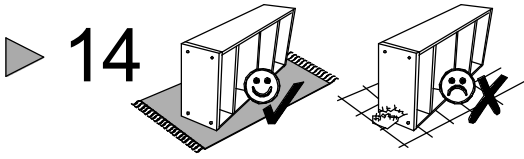


9

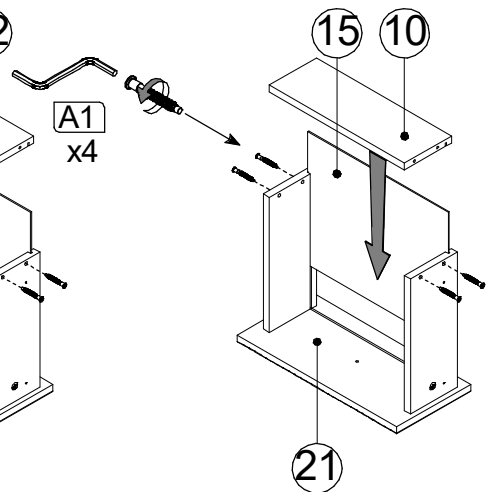
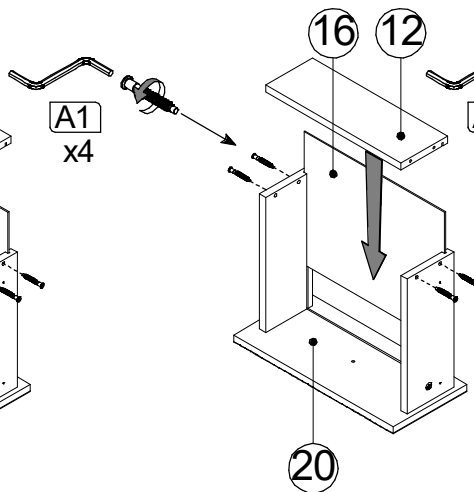
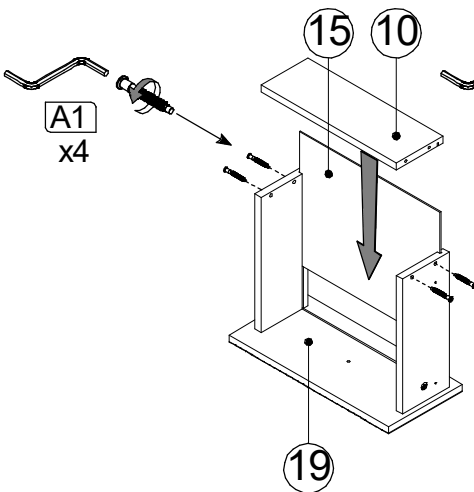
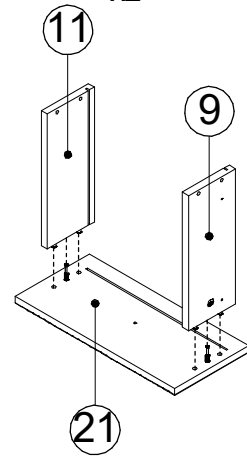
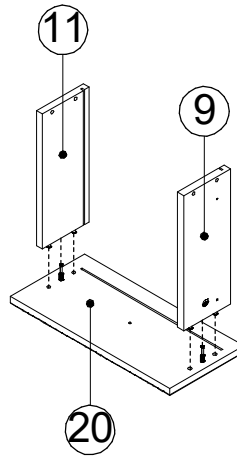
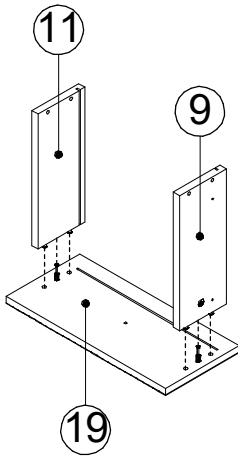
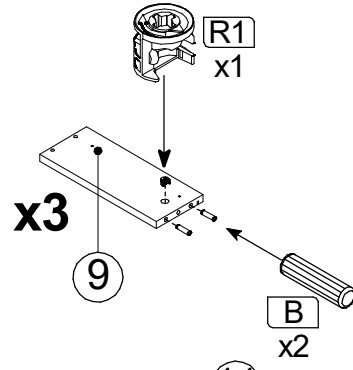
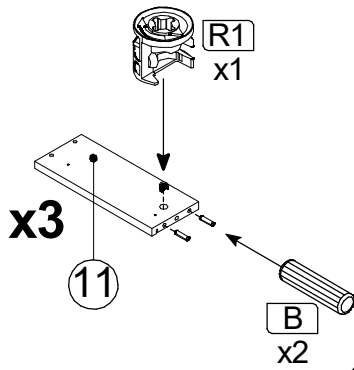
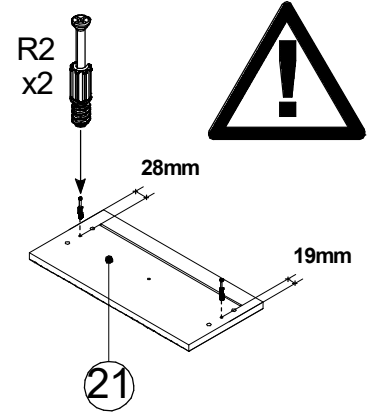
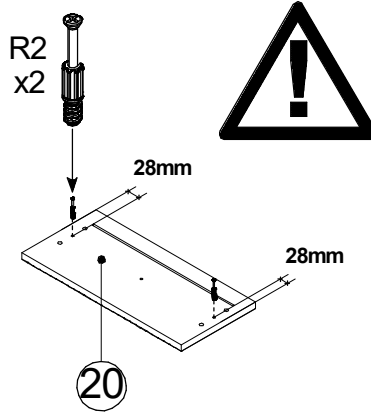
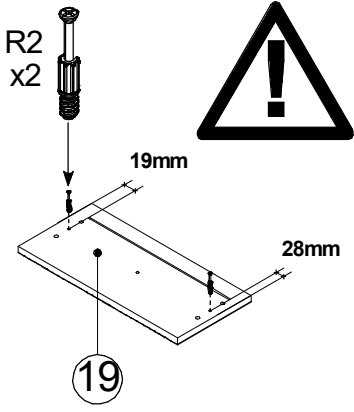




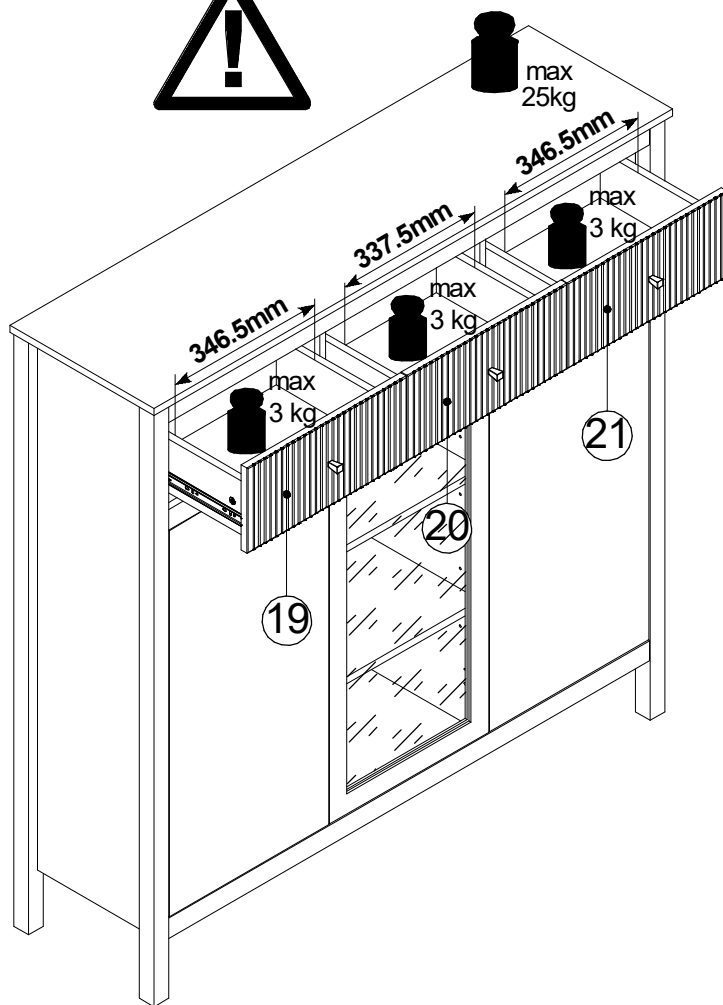
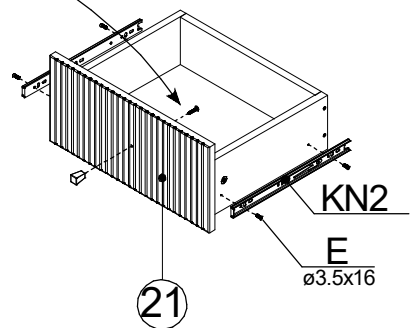
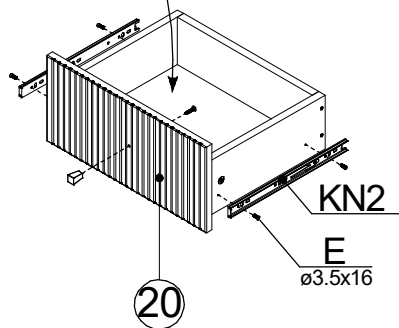
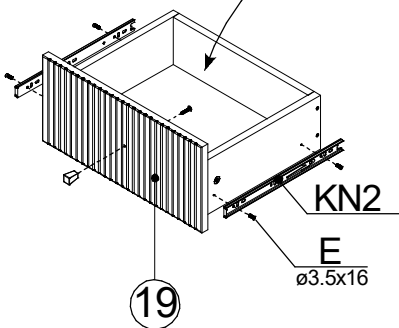
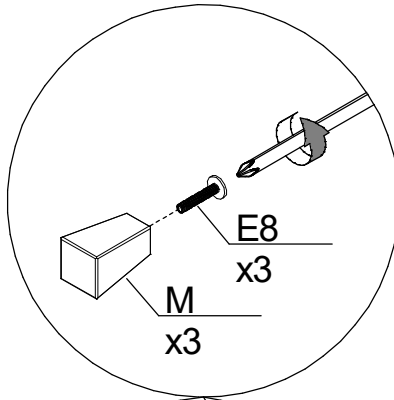
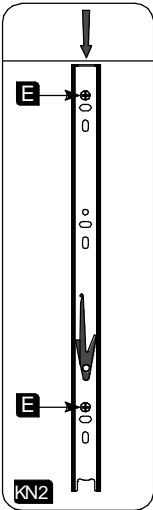




▶ 15



▶ 16



▶ 17

