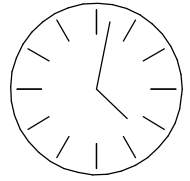
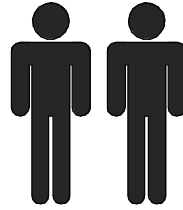
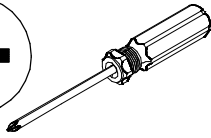
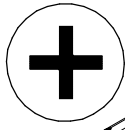
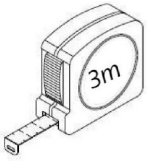
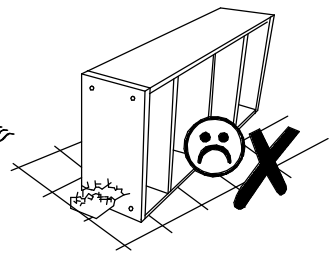
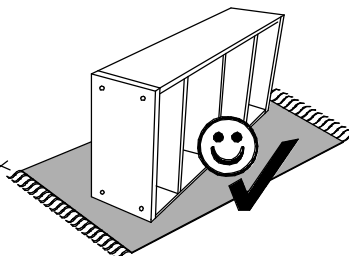
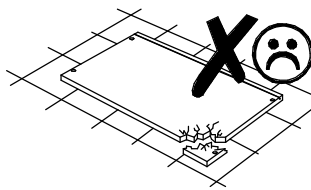
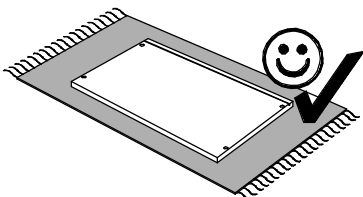
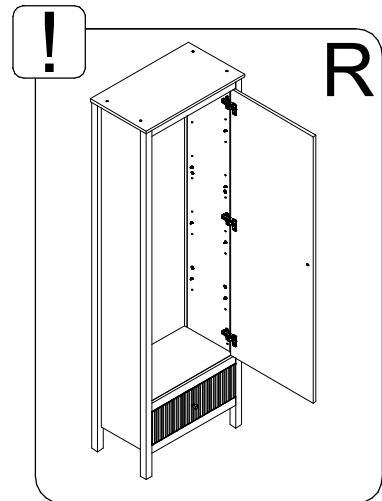
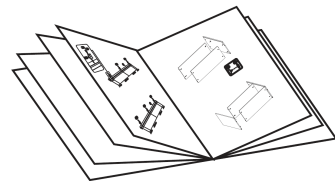
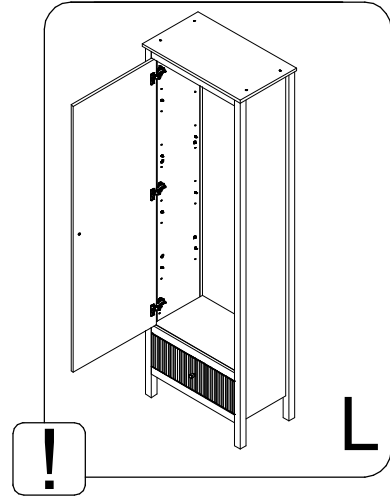
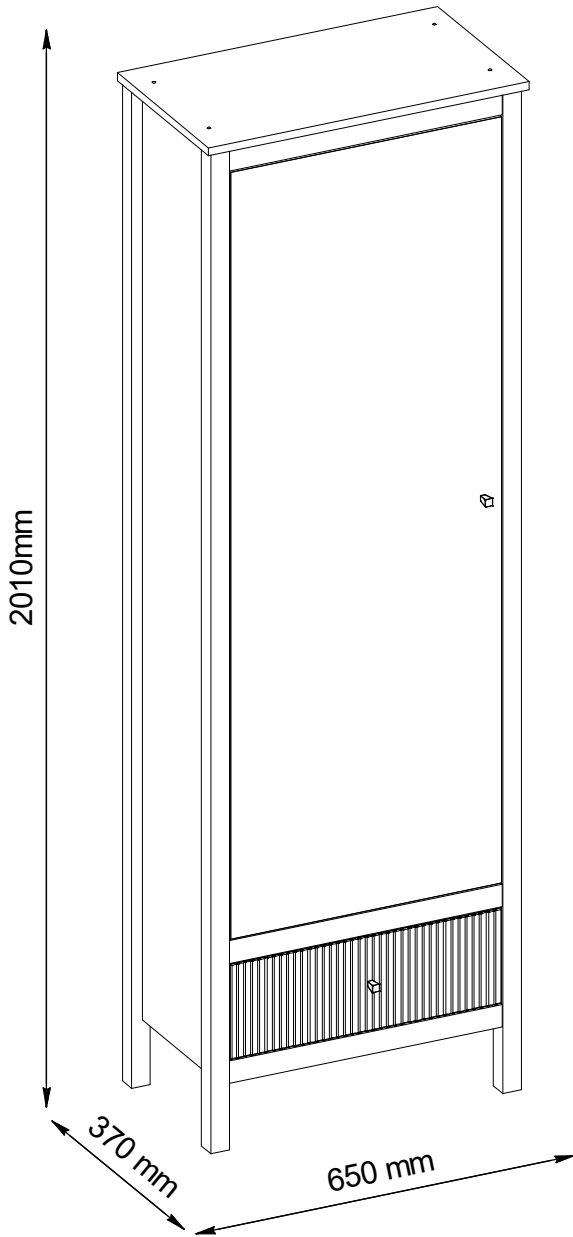
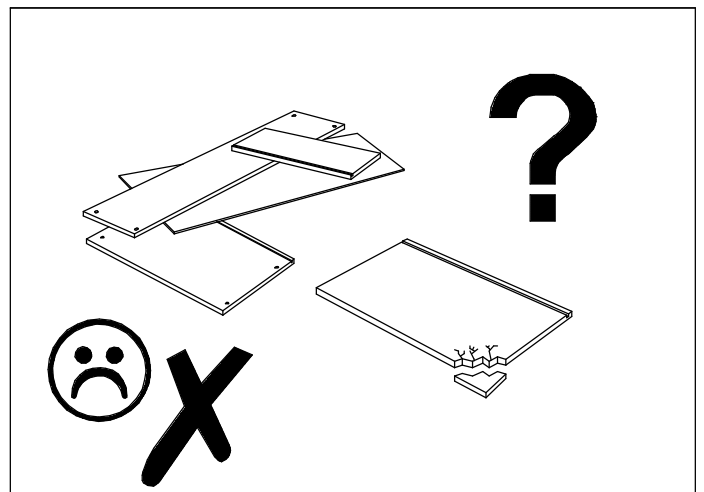
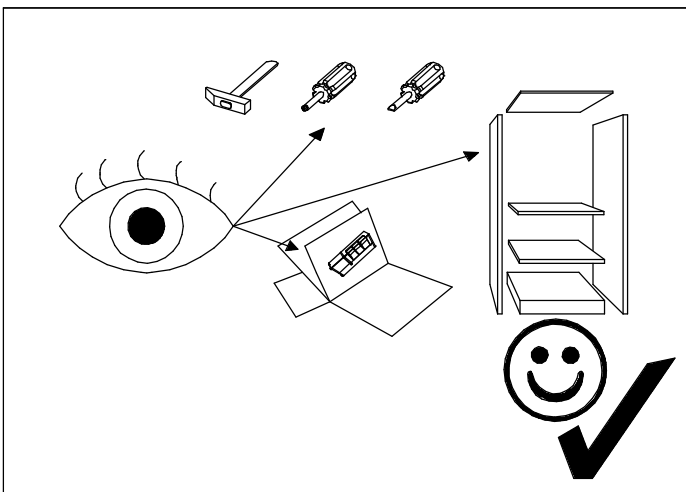
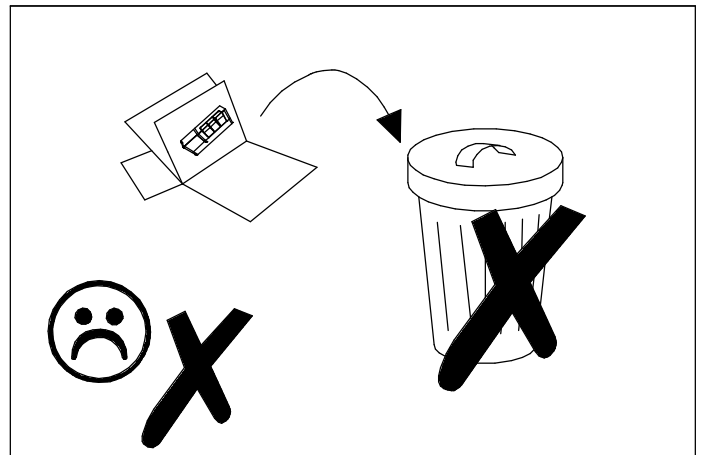
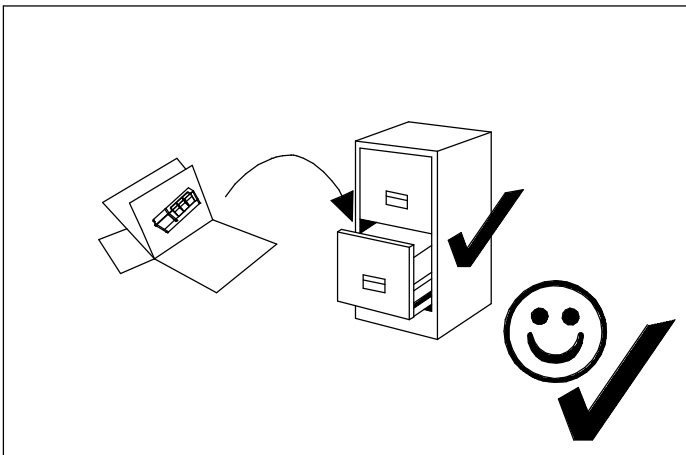
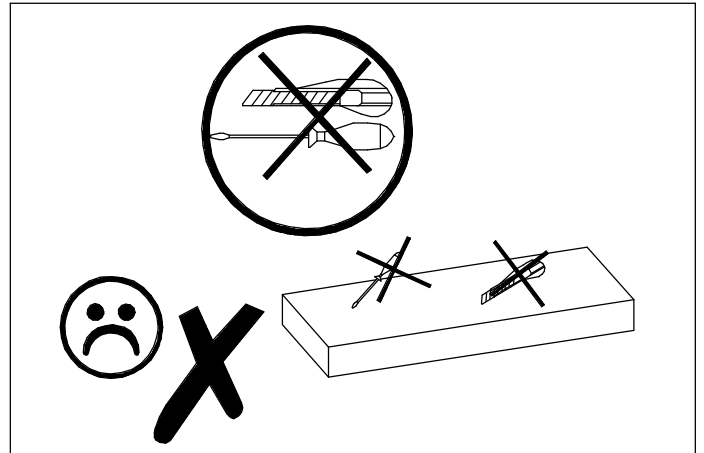
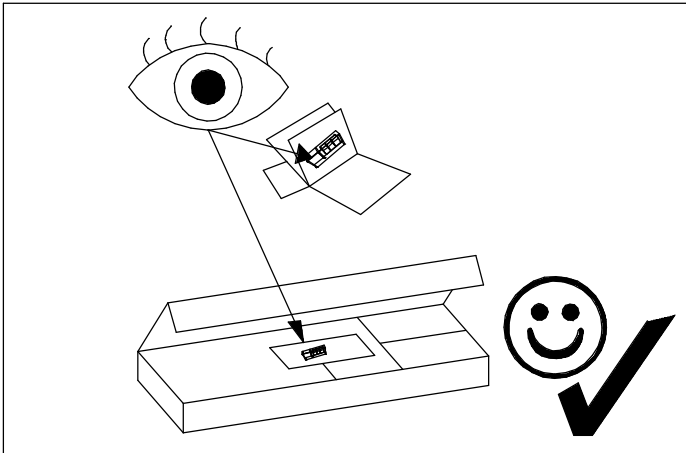


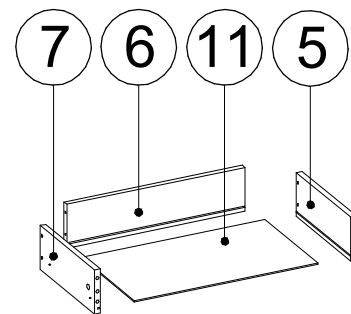
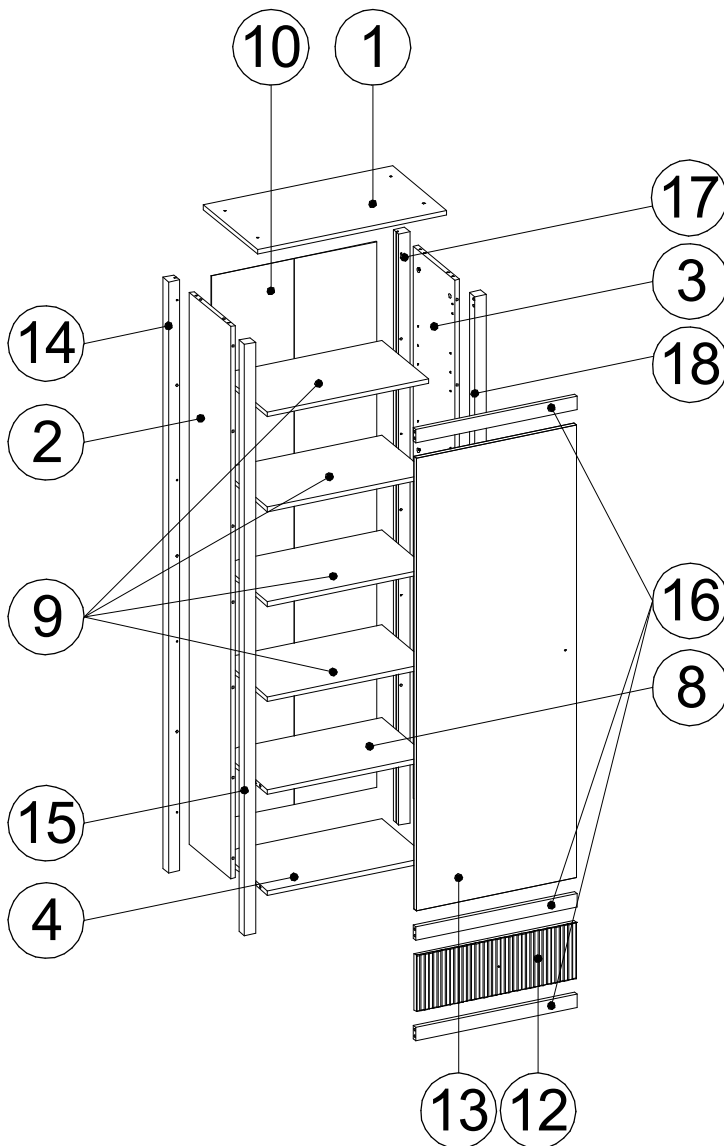
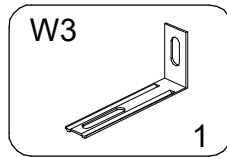
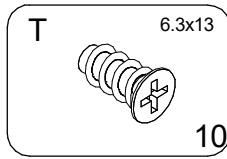
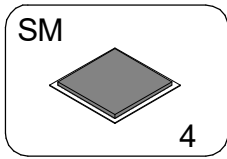
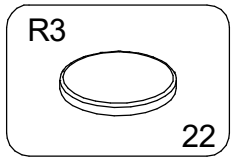
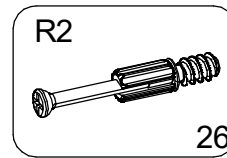
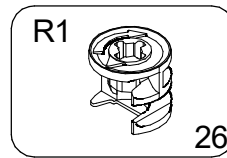
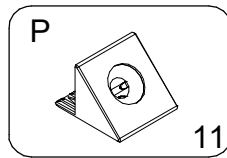
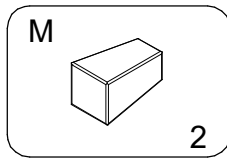
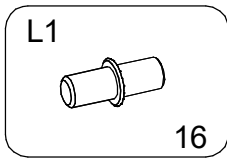
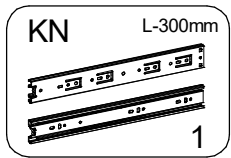
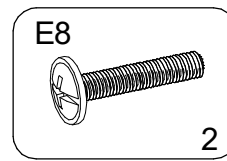
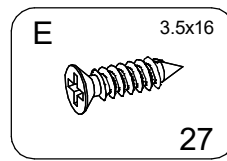
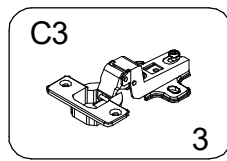
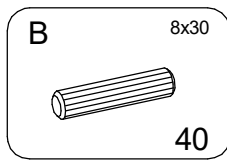
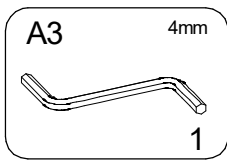
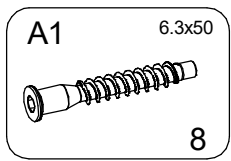
KLEO R



90 min





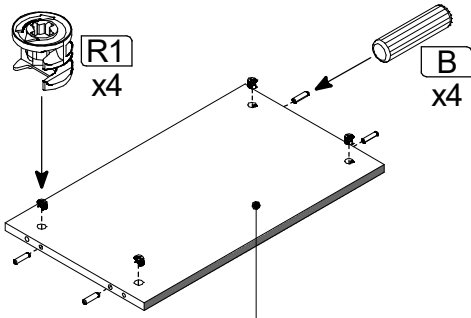
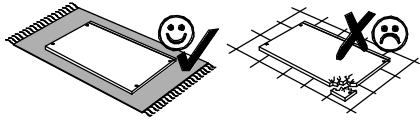


| Element symbol | Measurements | | | | Code | Paket |
|----------------|--------------|-----|----|---|------|-------|
| 1 | 650 | 370 | 16 | 1 | 1001 | 1/2 |
| 2 | 1862 | 283 | 16 | 1 | 1003 | 2/2 |
| 3 | 1862 | 283 | 16 | 1 | 1013 | 2/2 |
| 4 | 554 | 321 | 16 | 1 | 1005 | 1/2 |
| 5 | 300 | 120 | 16 | 1 | 1008 | 1/2 |
| 6 | 496.5 | 120 | 16 | 1 | 1009 | 1/2 |

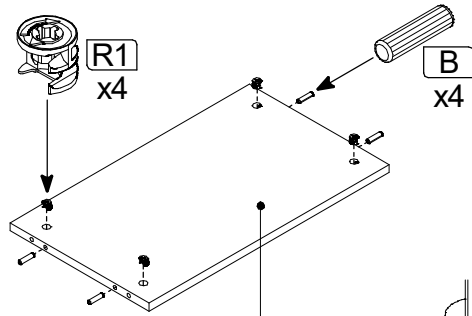
| | | | | | | |
|----|-------|-------|----|---|------|-----|
| 7 | 300 | 120 | 16 | 1 | 1010 | 1/2 |
| 8 | 554 | 320.5 | 16 | 1 | 1006 | 1/2 |
| 9 | 554 | 320.5 | 16 | 4 | 1011 | 1/2 |
| 10 | 1841 | 568 | 3 | 1 | | 1/2 |
| 11 | 510.5 | 296 | 3 | 1 | | 1/2 |
| 12 | 550 | 190 | 16 | 1 | 3007 | 1/2 |

| | | | | | | |
|----|------|-----|----|---|------|-----|
| 13 | 1527 | 550 | 16 | 1 | 1011 | 1/2 |
| 14 | 1994 | 38 | 38 | 1 | | 2/2 |
| 15 | 1994 | 38 | 38 | 1 | | 2/2 |
| 16 | 554 | 45 | 16 | 3 | | 1/2 |
| 17 | 1994 | 38 | 38 | 1 | | 2/2 |
| 18 | 1994 | 38 | 38 | 1 | | 2/2 |

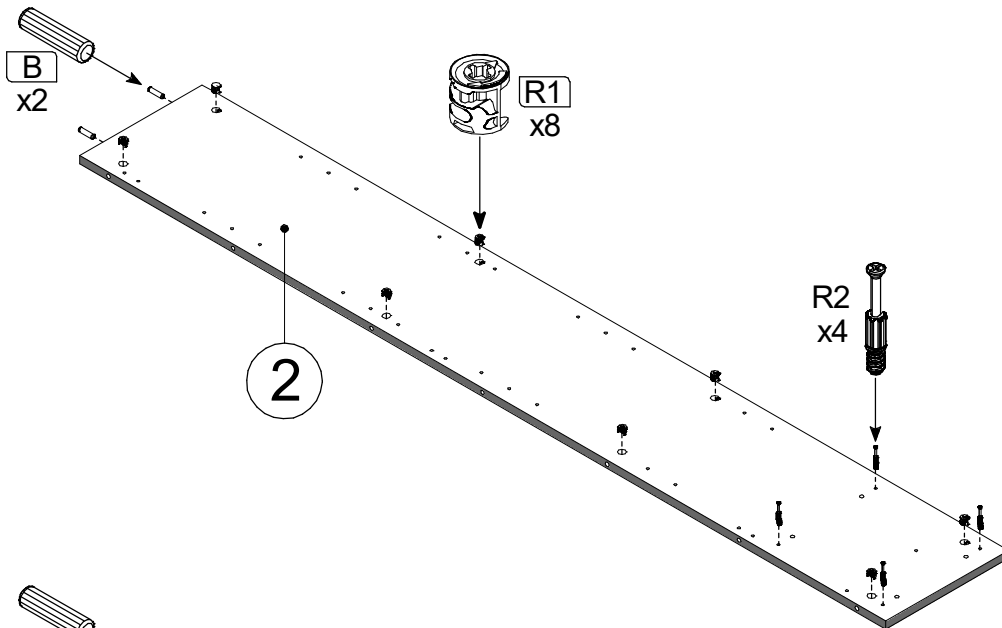
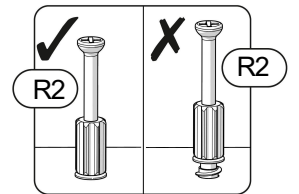
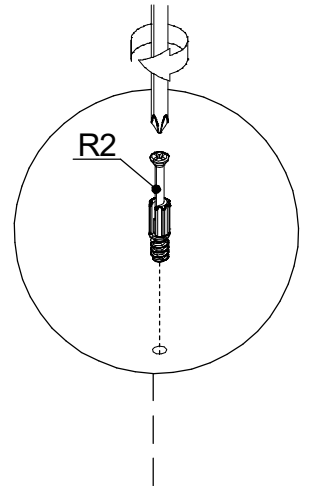
▶ 1



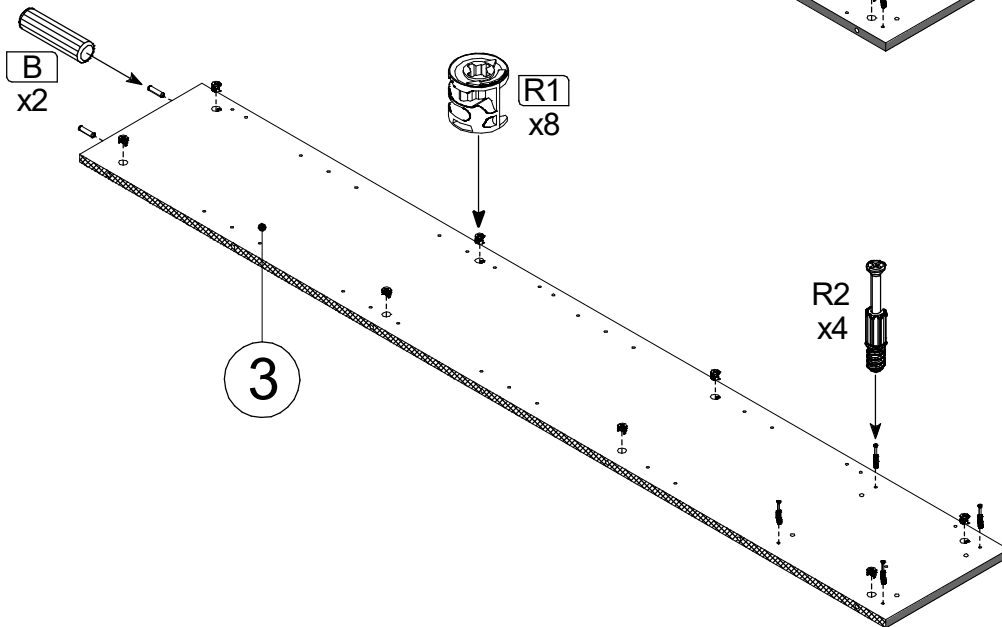
8



4

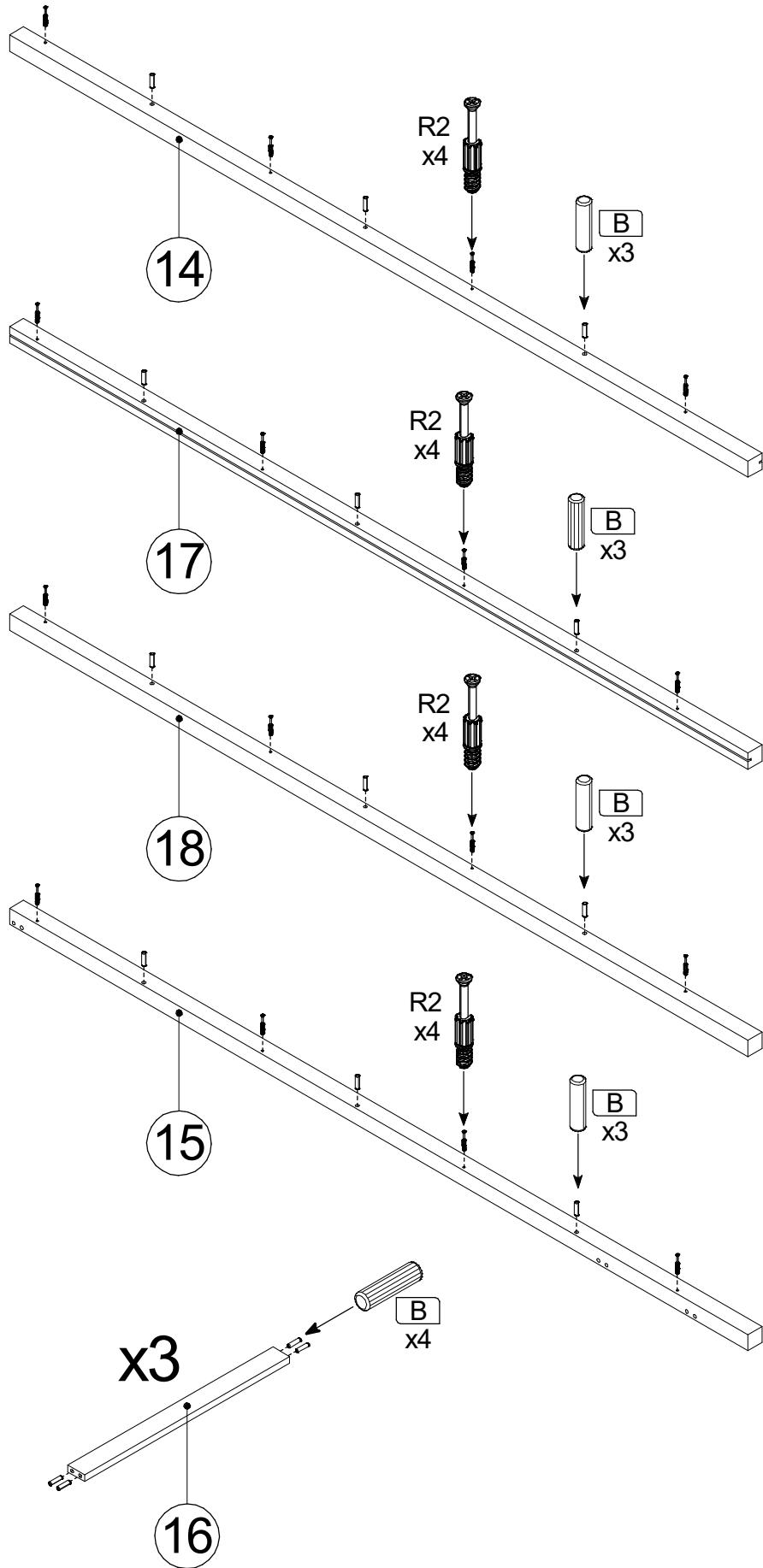
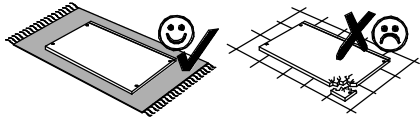


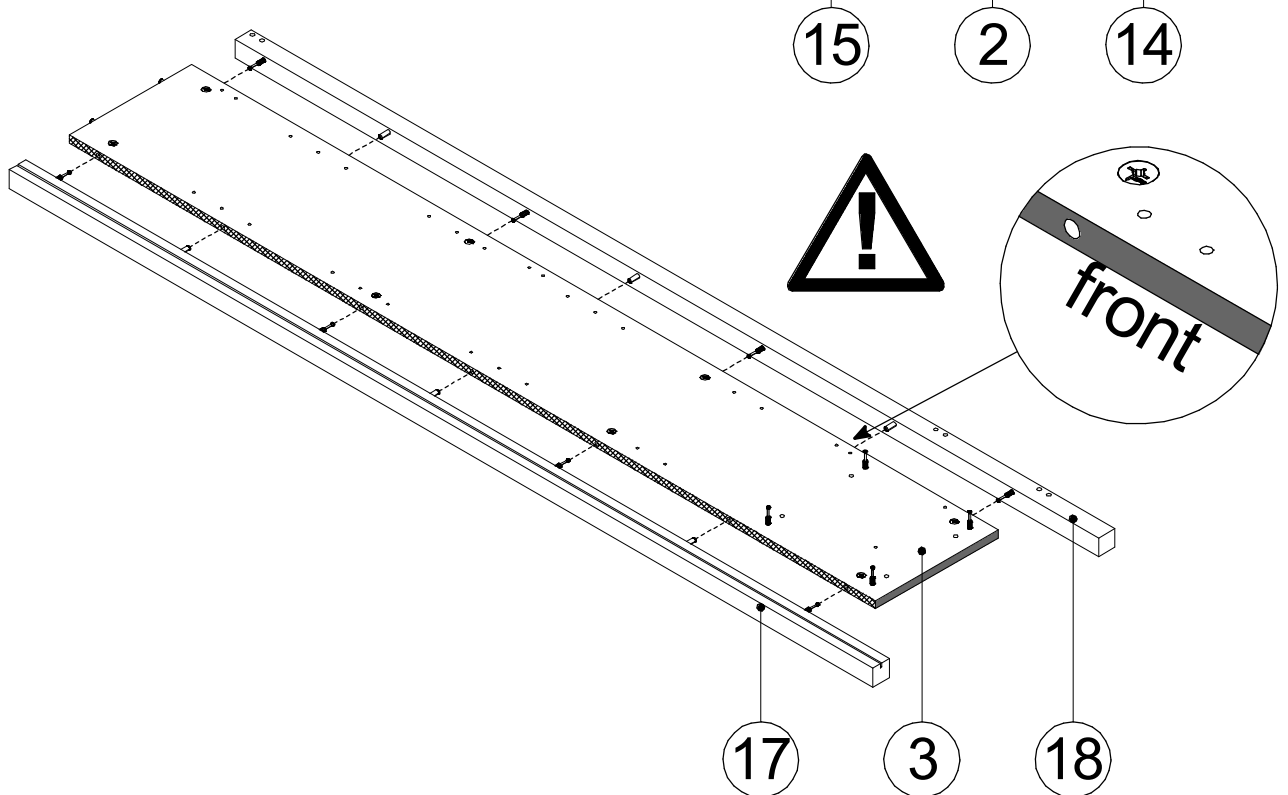
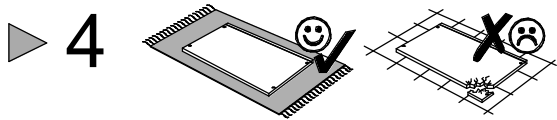
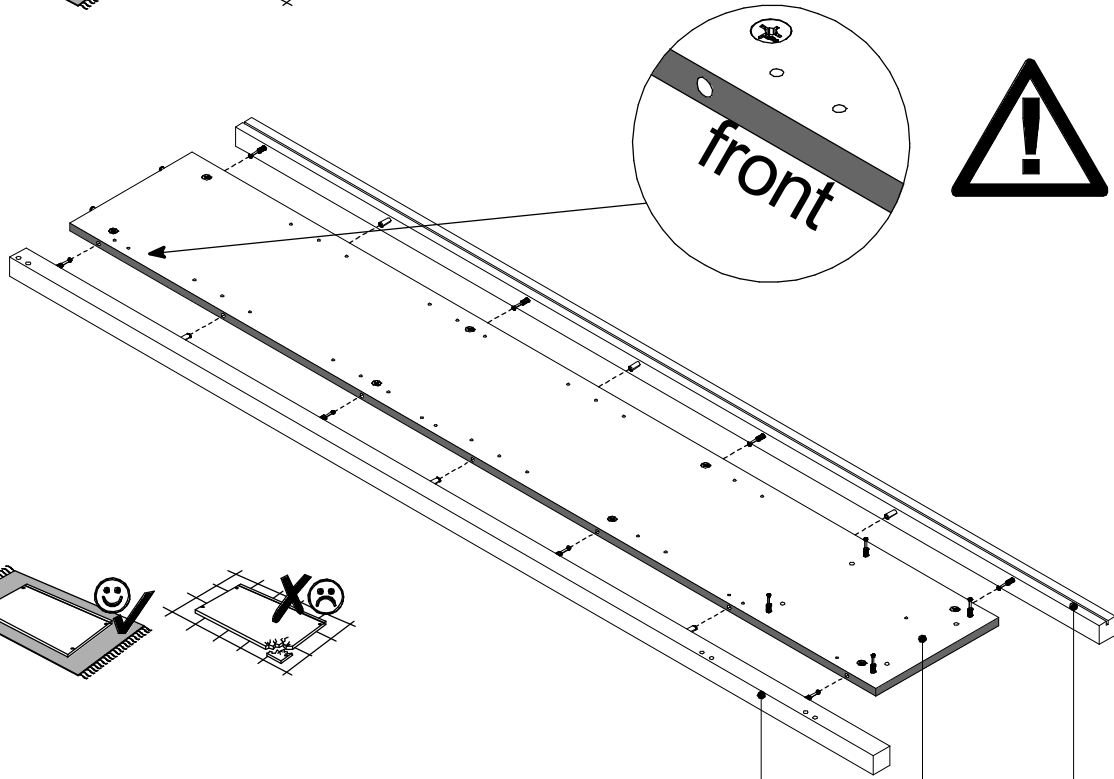
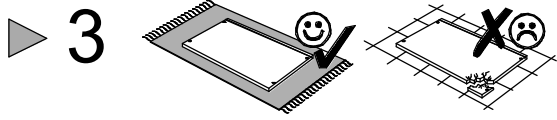
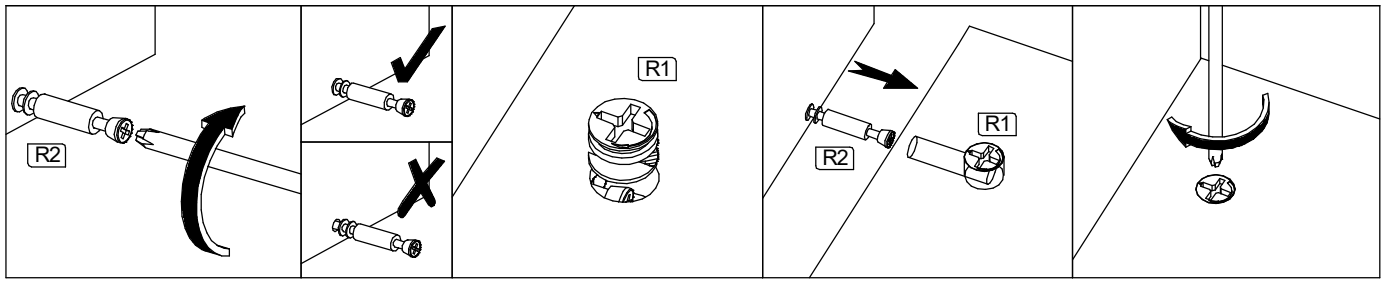
2



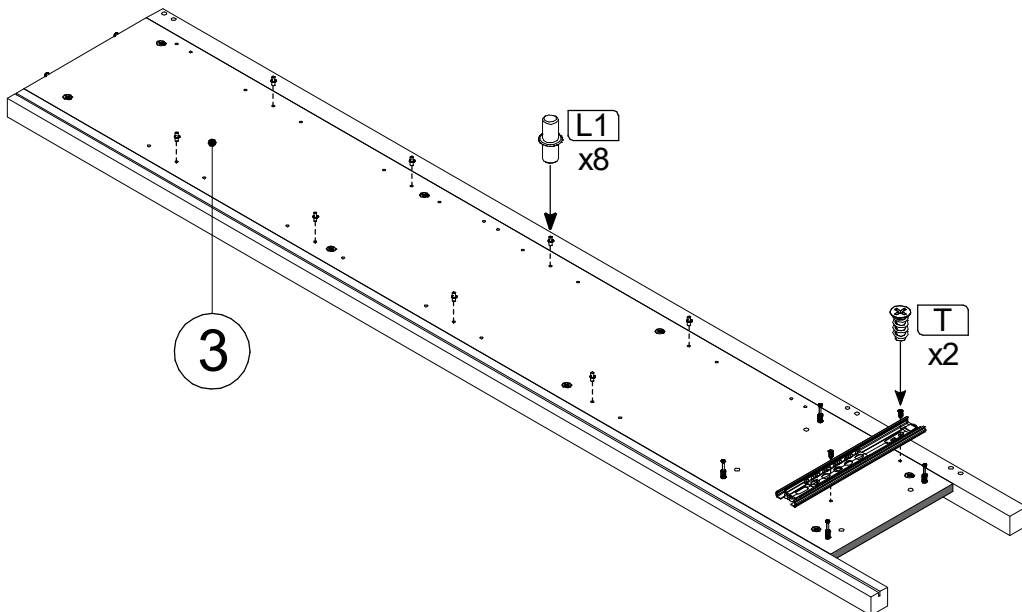
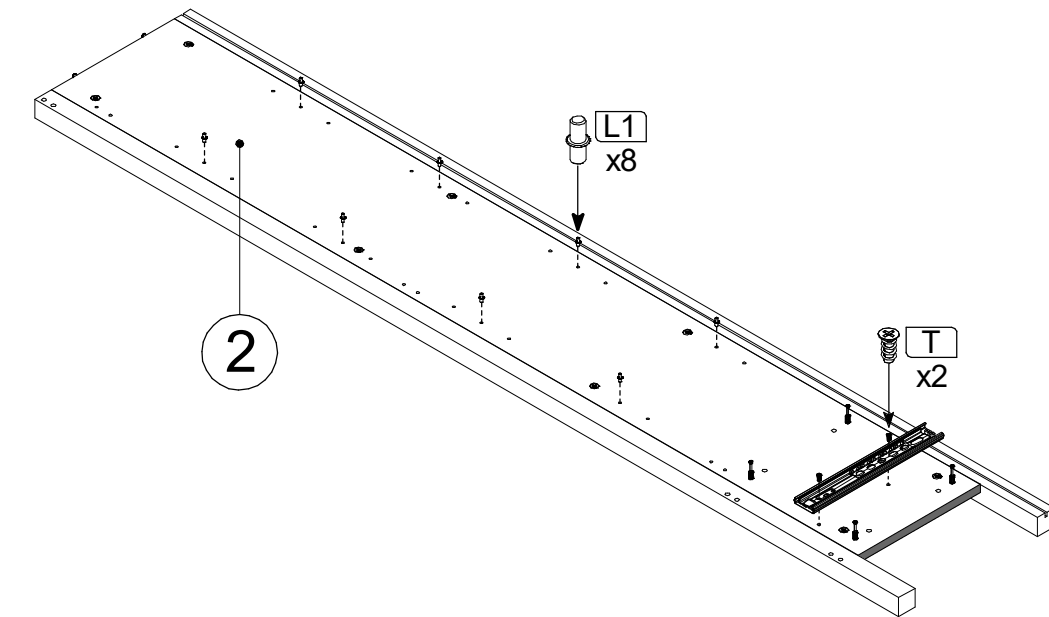
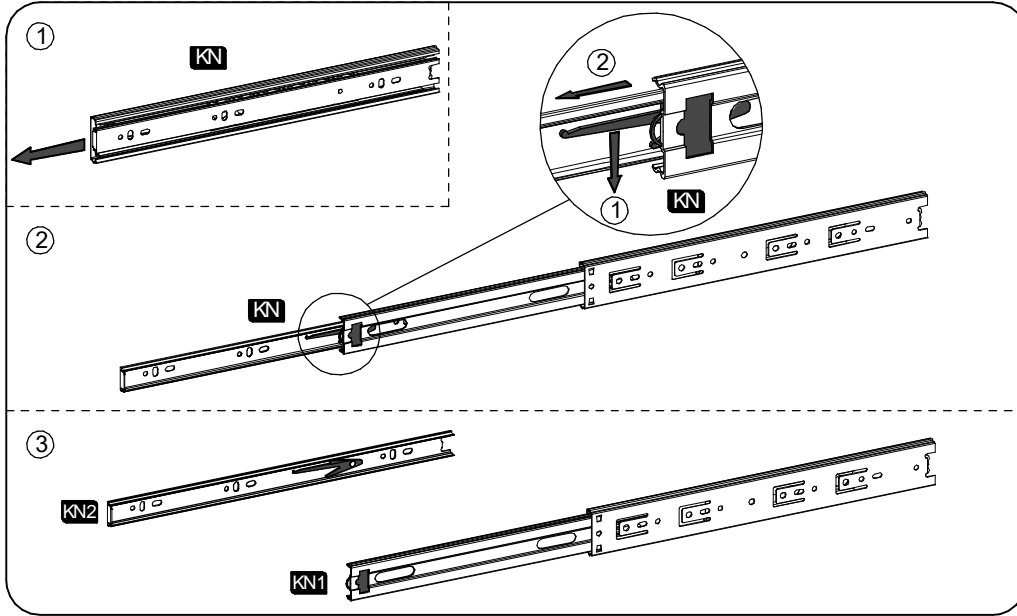
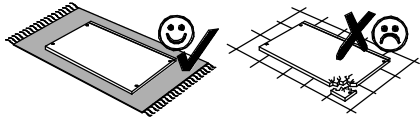
3

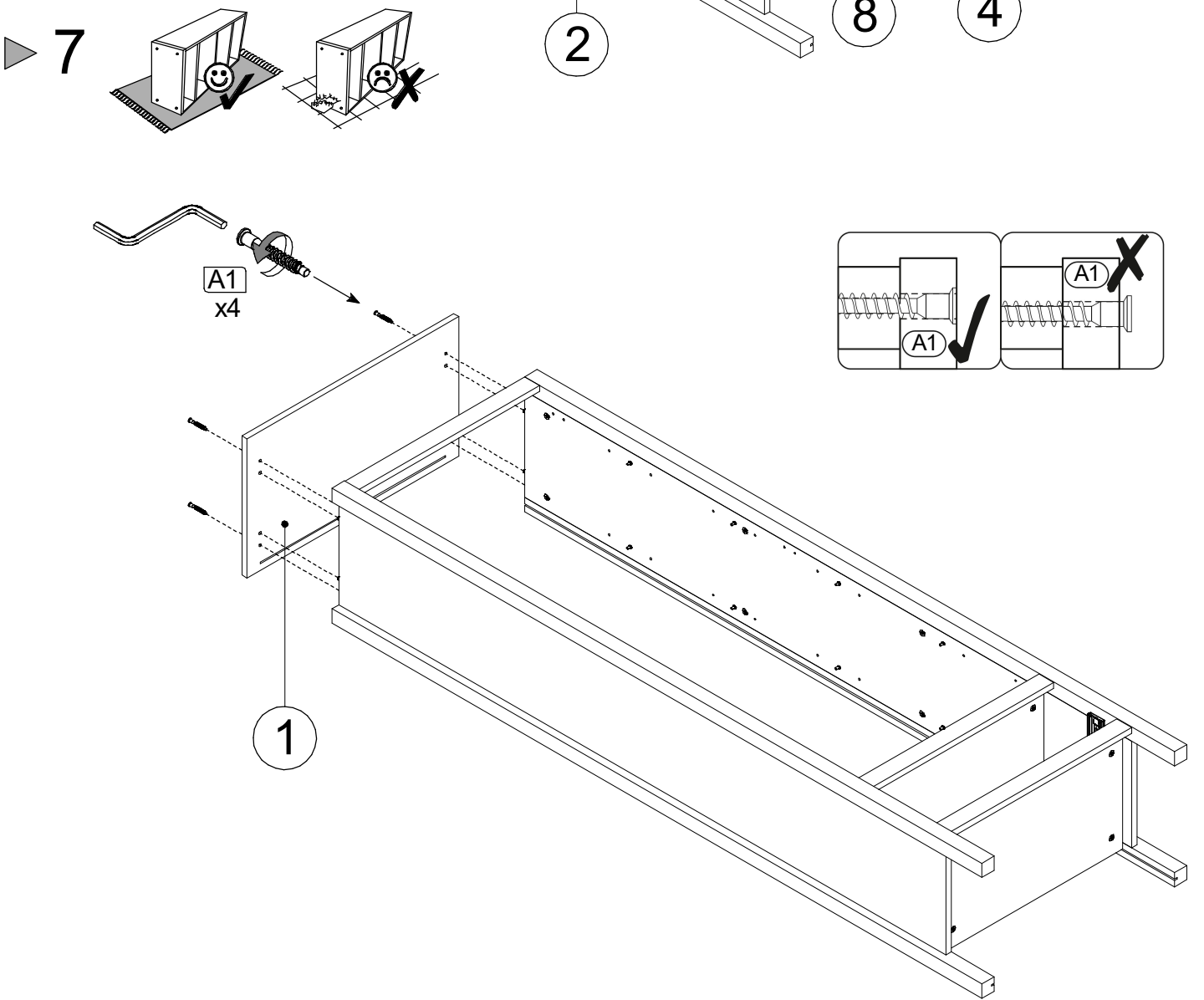
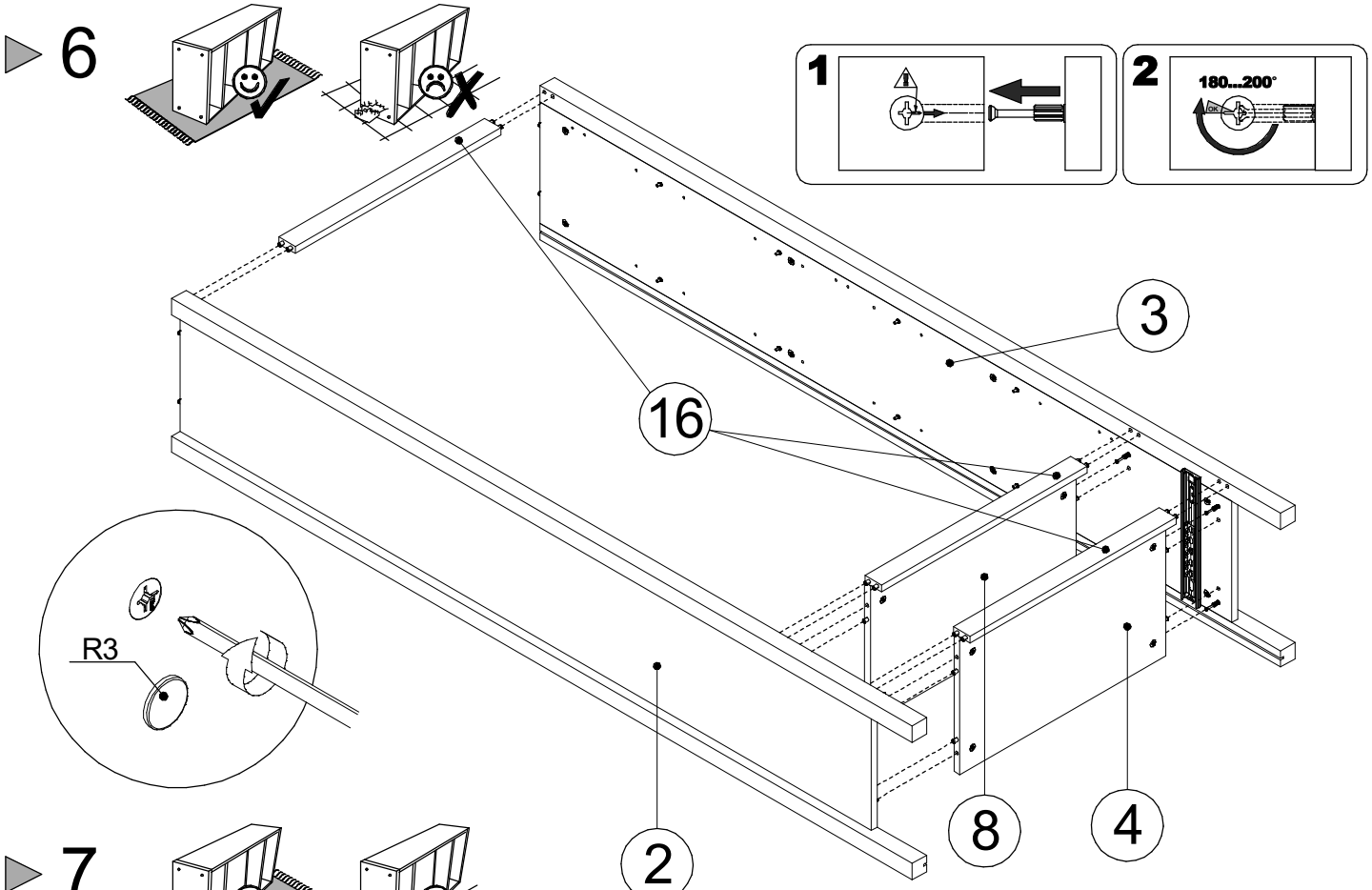
▶ 2



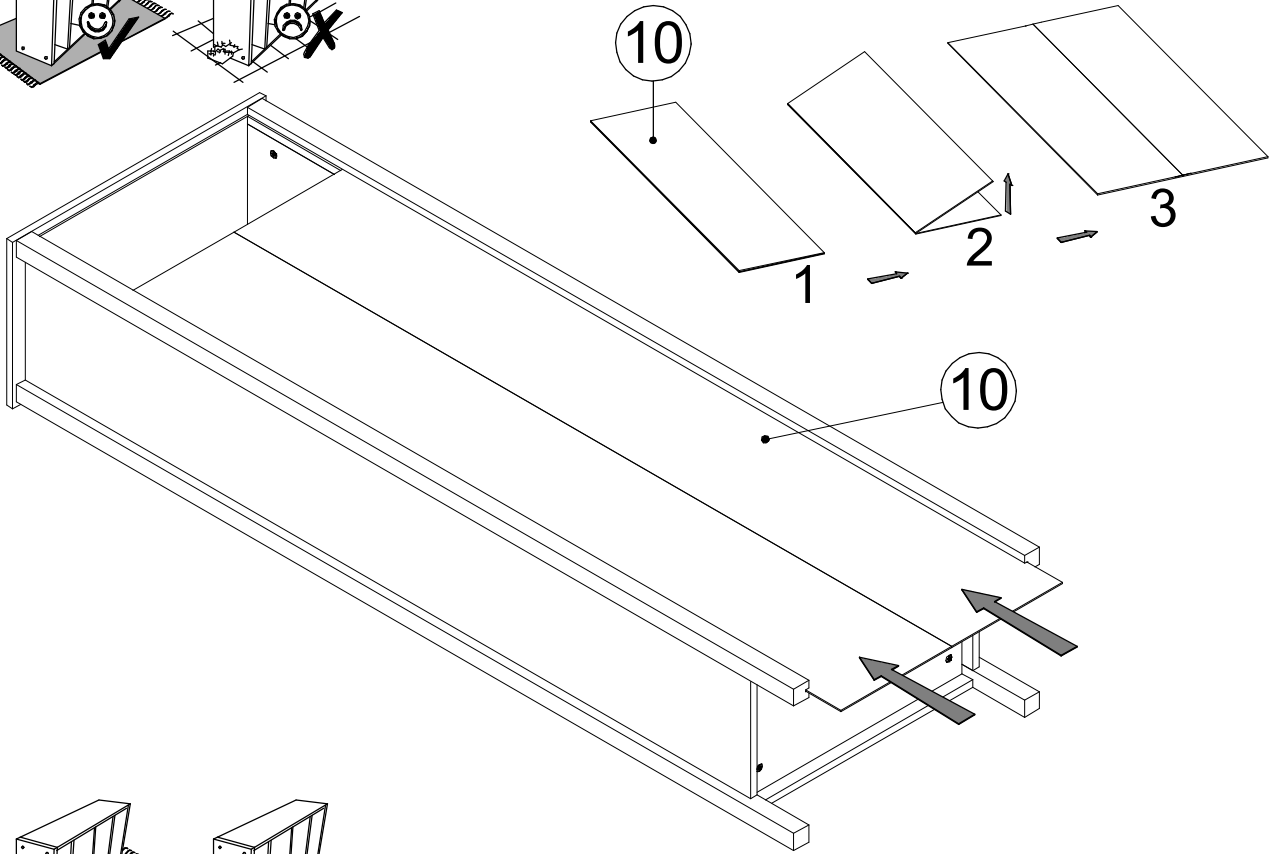
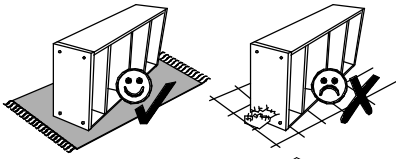


▶ 5

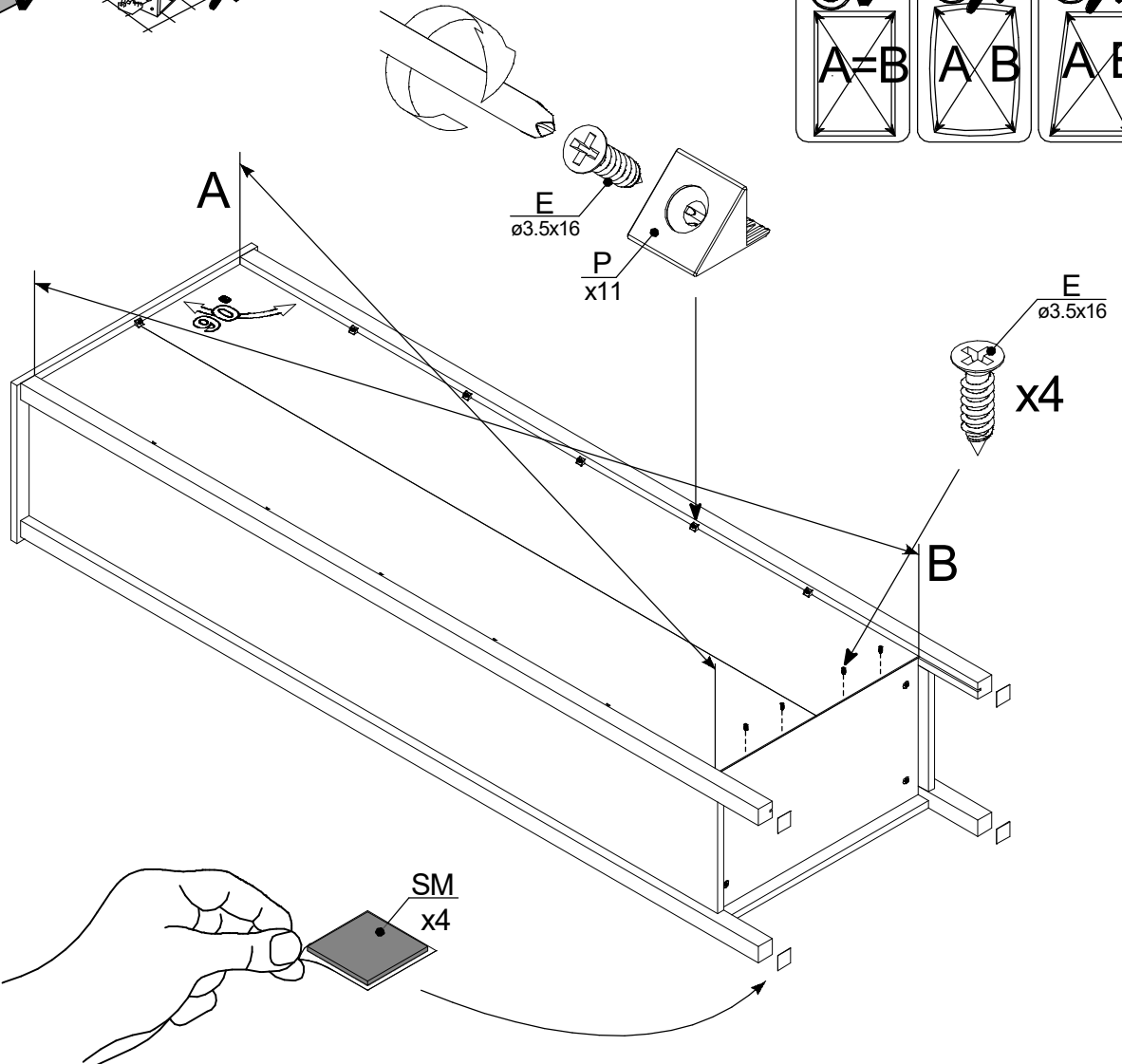
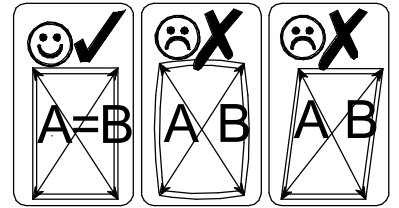
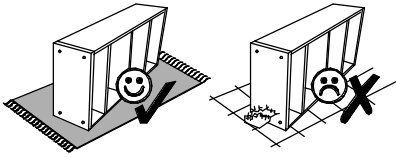


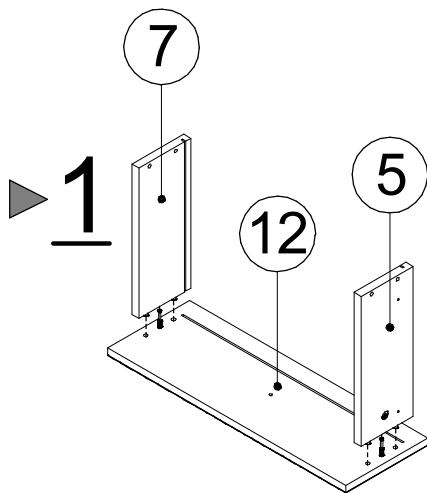
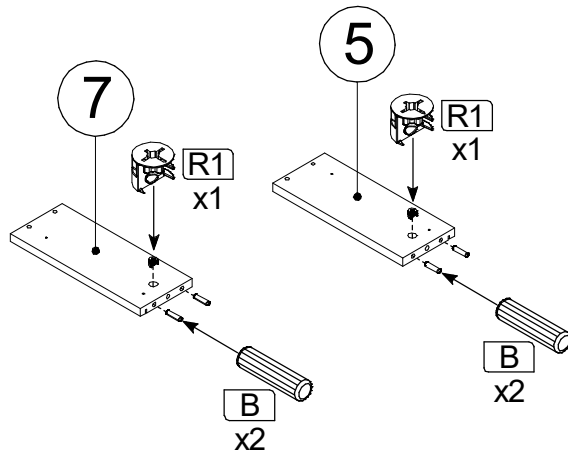
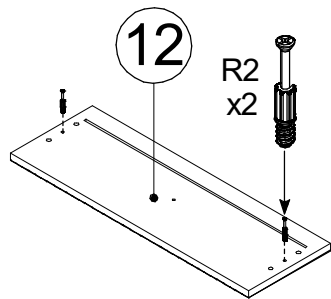
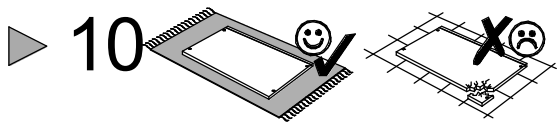


8

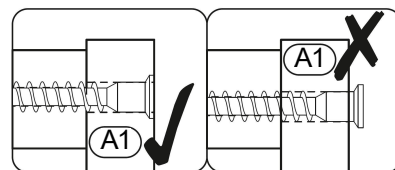
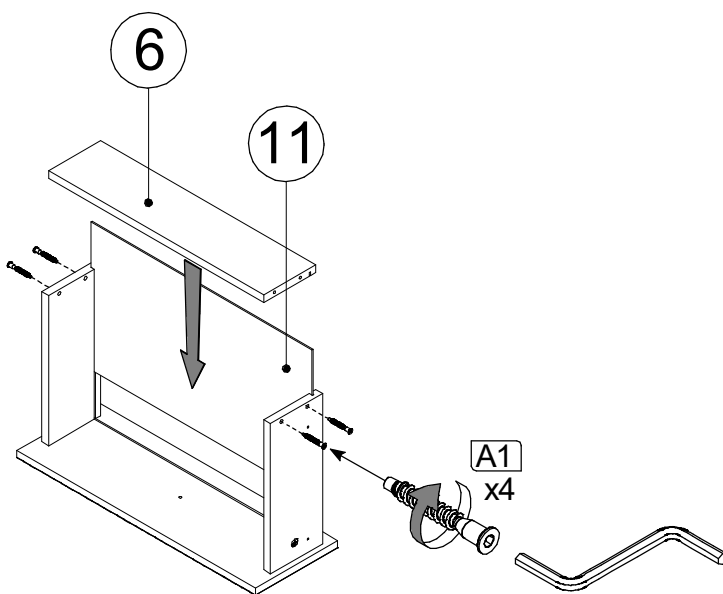


9

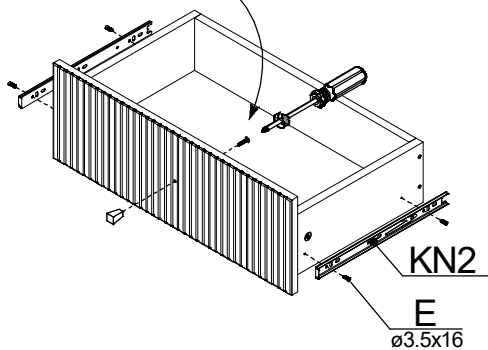
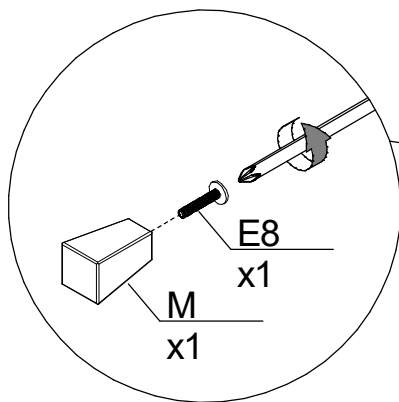
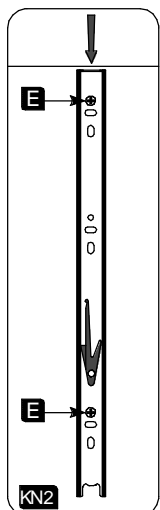




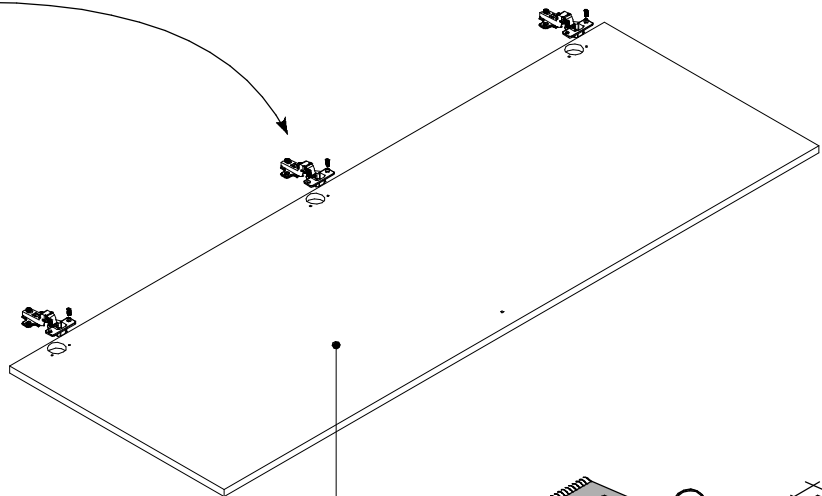
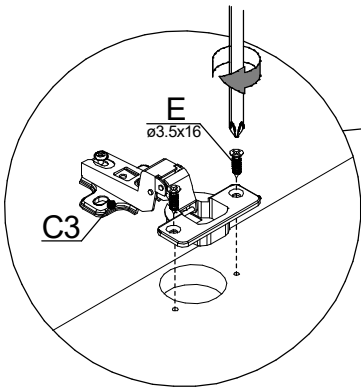
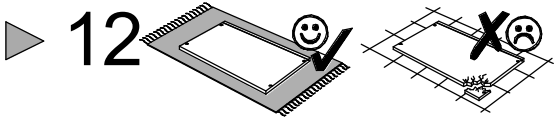
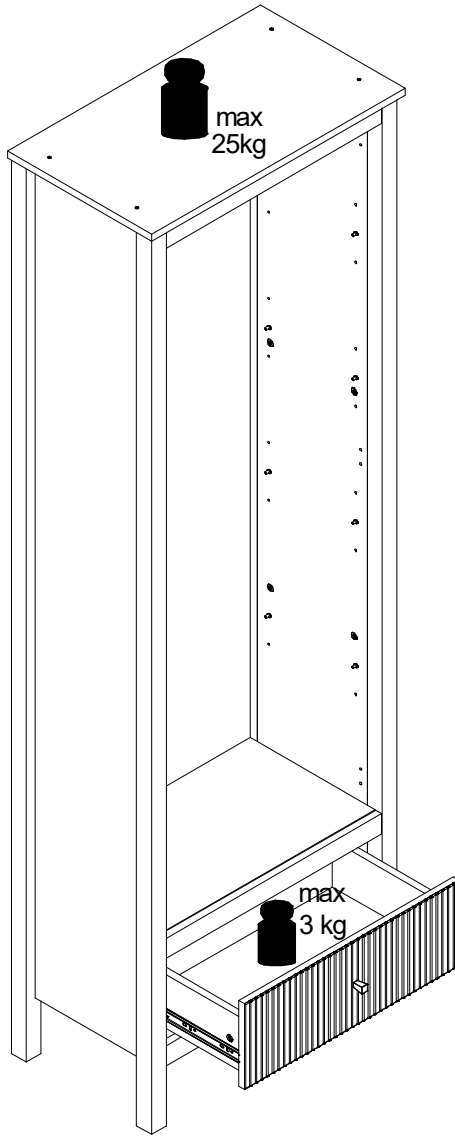
▶ **2**



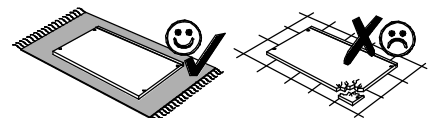
▶ **3**



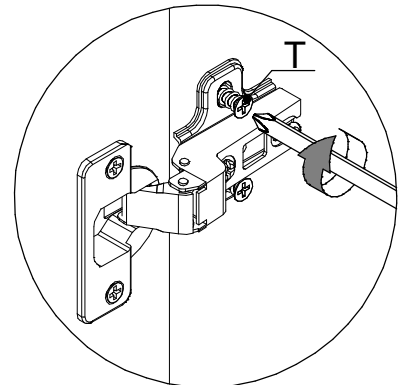
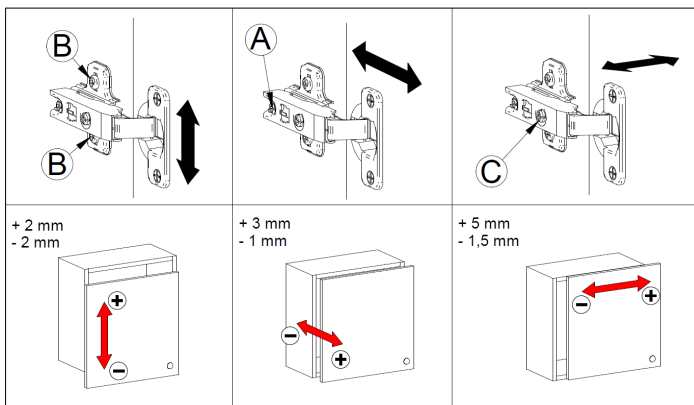
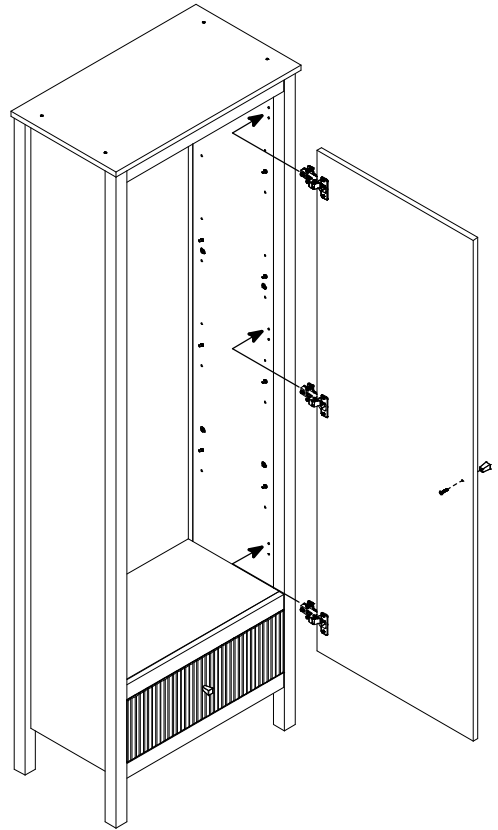
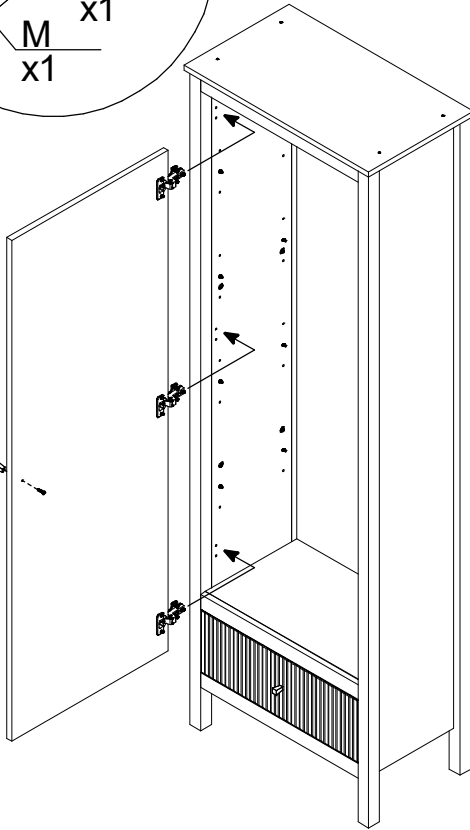
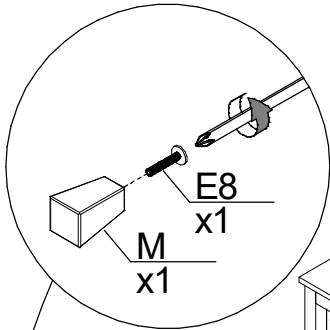
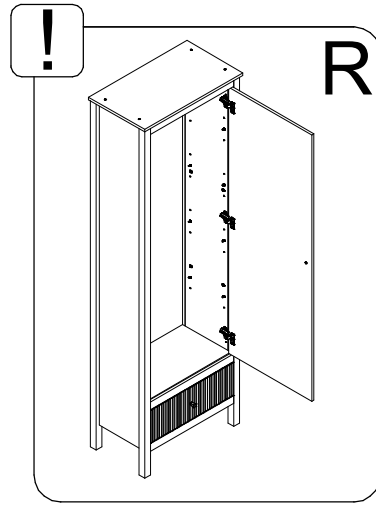
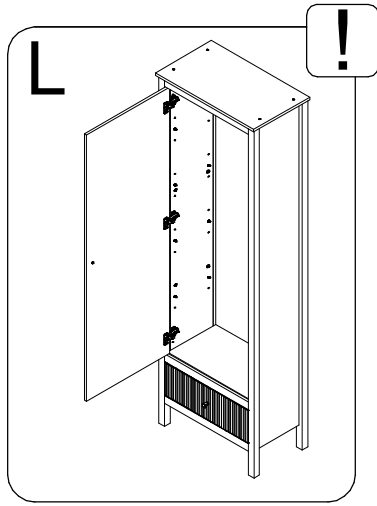
▶ 11

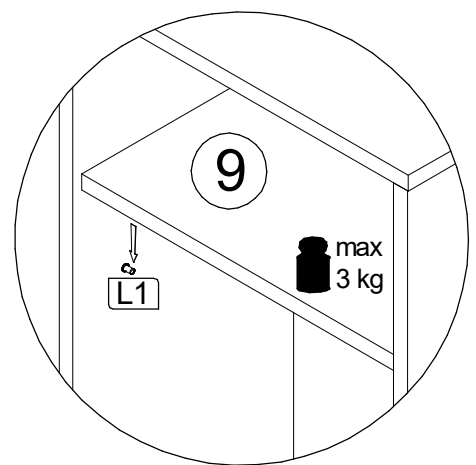
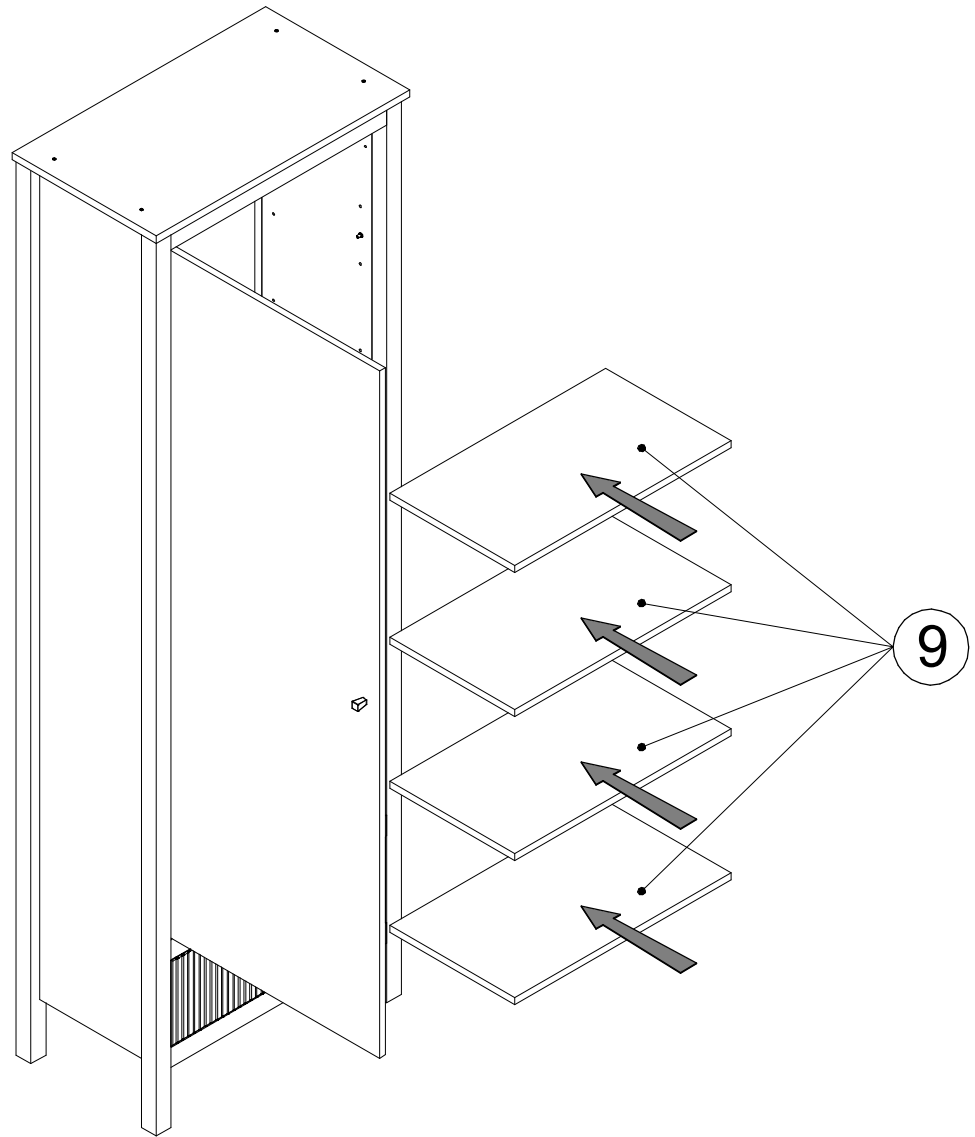


13



▶ 13





► 15

